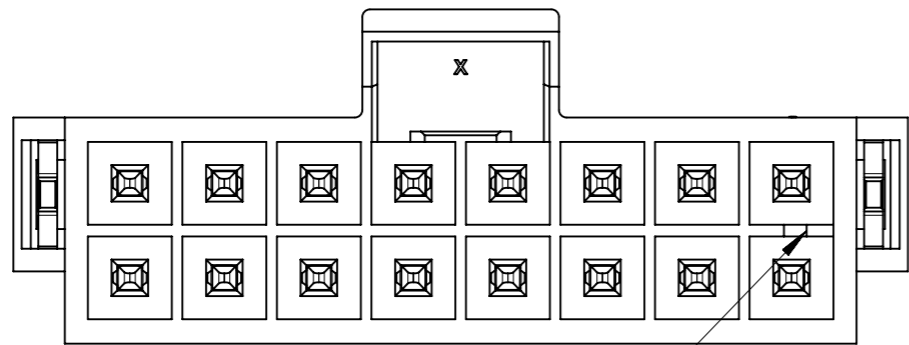


RECOMMENDED PCB(CONNECTOR SIDE VIEW)
THICKNESS=1.6 TO 2.4 MM

FUNCTIONAL SYMBOLS	THIS DRAWING CONTAINS INFORMATION THAT IS PROPRIETARY TO MOLEX ELECTRONIC TECHNOLOGIES, LLC AND SHOULD NOT BE USED WITHOUT WRITTEN PERMISSION		CURRENT REV DESC:		molex
	GENERAL TOLERANCES (UNLESS SPECIFIED)	ANGULAR TOL $\pm 3.0^\circ$	EC NO: 697101		
DIVISIONAL SYMBOLS	4 PLACES \pm	3 PLACES ± 0.1	2 PLACES ± 0.2	1 PLACE ± 0.3	PRODUCT CUSTOMER DRAWING
	INITIAL REVISION:		2022/02/24		DOCUMENT NUMBER
	DRWN: GLLI		2022/02/25		DOC TYPE
	APPR: XQZHANG		2022/02/25		DOC PART
DRAFT WHERE APPLICABLE MUST REMAIN WITHIN DIMENSIONS		THIRD ANGLE PROJECTION	DRAWING	SERIES	MATERIAL NUMBER
			A3-SIZE	105312	1053121000-SD
					CUSTOMER
					GENERAL MARKET
					SHEET NUMBER
					1 OF 5

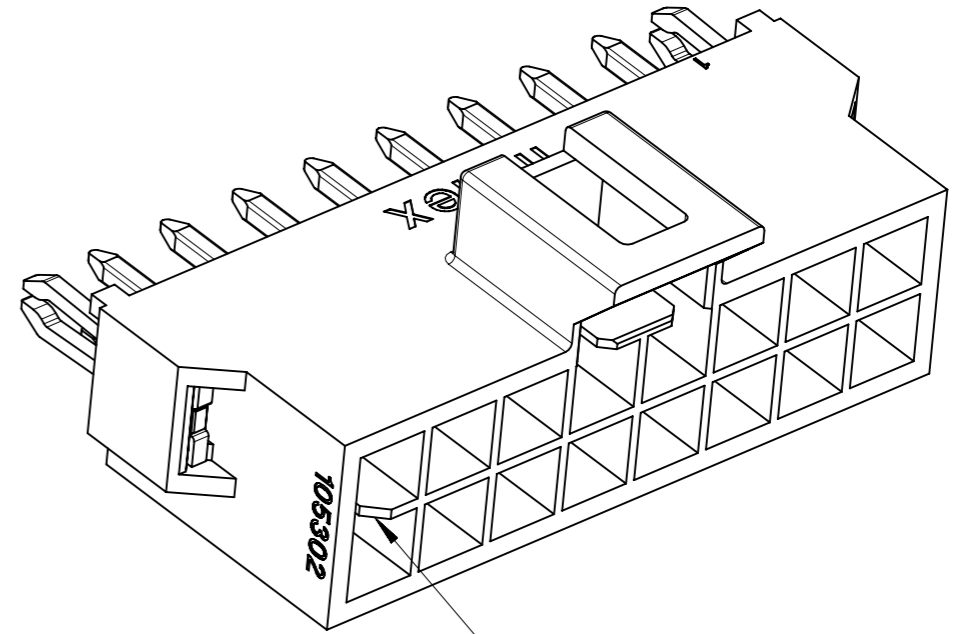


KEY A

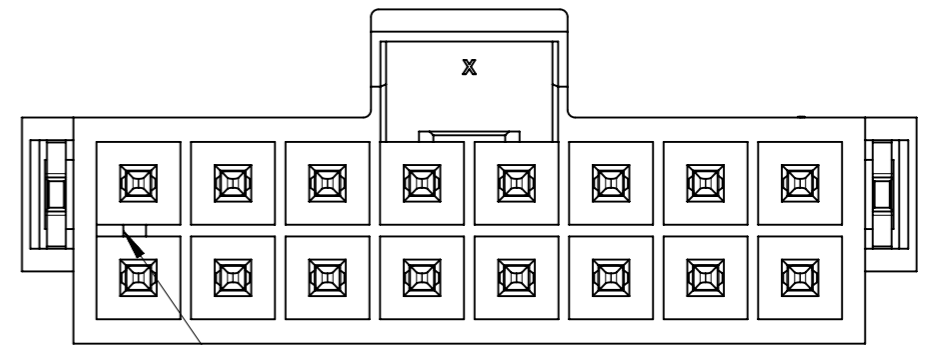


KEY A

BLACK



KEY B



KEY B

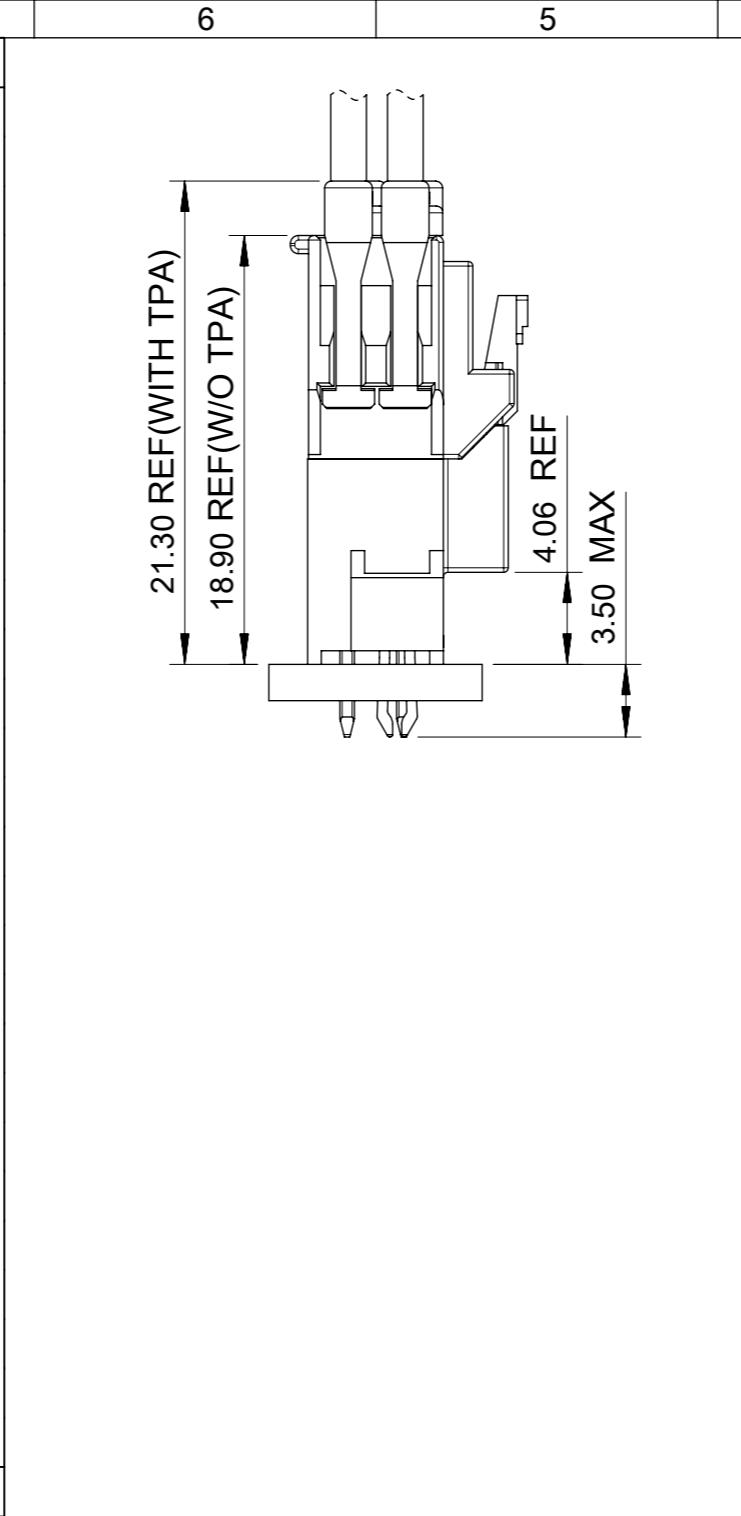
NATURAL

COLOR OPTION

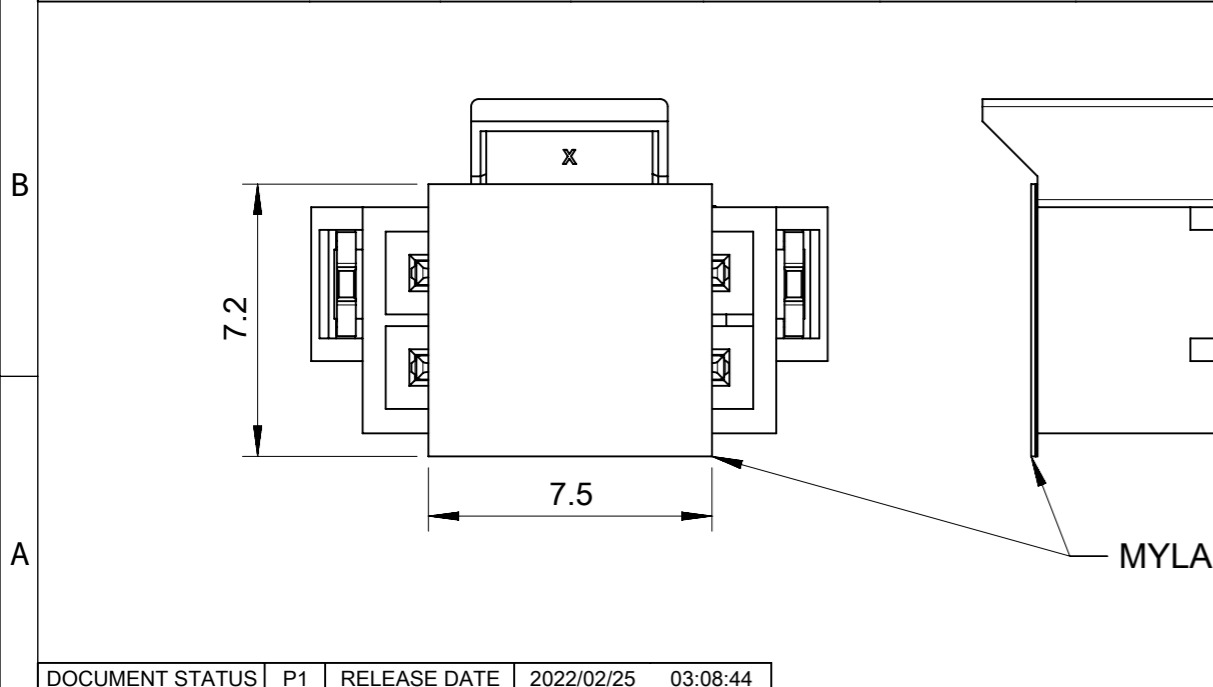
FUNCTIONAL SYMBOLS	THIS DRAWING CONTAINS INFORMATION THAT IS PROPRIETARY TO MOLEX ELECTRONIC TECHNOLOGIES, LLC AND SHOULD NOT BE USED WITHOUT WRITTEN PERMISSION		CURRENT REV DESC:		molex				
	▽A = 0	mm						SCALE 5:1	
▽E = 0	GENERAL TOLERANCES (UNLESS SPECIFIED)		EC NO: 697101 DRWN: GLLI 2022/02/24 CHK'D: XQZHANG 2022/02/25 APPR: XQZHANG 2022/02/25 INITIAL REVISION: DRWN: GLLI 2019/09/24 APPR: YXZHENG 2020/03/16		HEADER OF NANO-FIT, D/R, CLIP, VERTICAL POWER CONNECTOR				
▽F = 0	ANGULAR TOL ± 3.0°				PRODUCT CUSTOMER DRAWING				
DIVISIONAL SYMBOLS	4 PLACES	±			DOCUMENT NUMBER		DOC TYPE	DOC PART	REVISION
	3 PLACES	± 0.1			1053121000-SD		PSD	000	B1
	2 PLACES	± 0.2			MATERIAL NUMBER		CUSTOMER		SHEET NUMBER
1 PLACE	± 0.3	THIRD ANGLE PROJECTION		DRAWING	SERIES				
0 PLACES	±	DRAFT WHERE APPLICABLE MUST REMAIN WITHIN DIMENSIONS		A3-SIZE	105312	GENERAL MARKET 2 OF 5			

DOCUMENT STATUS	P1	RELEASE DATE	2022/02/25	03:08:44
-----------------	----	--------------	------------	----------

	10	9	8	7	6	5	4	3	2	1
	PART NUMBER	DIM 'A'	DIM 'B'	DIM 'C'	CKT SIZE	PLATING	MYLAR			
F	105312-3504	8.66	5.94	6.84	4	TIN				
	105312-3506	11.16	8.44	9.34	6					
	105312-3508	13.66	10.94	11.84	8					
	105312-3510	16.16	13.44	14.34	10					
E	105312-3512	18.66	15.94	16.84	12	GOLD 0.38				
	105312-3514	21.16	18.44	19.34	14					
	105312-3516	23.66	20.94	21.84	16					
	105312-3704	8.66	5.94	6.84	4					
105312-3706	11.16	8.44	9.34	6						
105312-3708	13.66	10.94	11.84	8						
105312-3710	16.16	13.44	14.34	10						
D	105312-3712	18.66	15.94	16.84	12	GOLD 0.76				
	105312-3714	21.16	18.44	19.34	14					
	105312-3716	23.66	20.94	21.84	16					
	105312-3604	8.66	5.94	6.84	4					
105312-3606	11.16	8.44	9.34	6						
105312-3608	13.66	10.94	11.84	8						
105312-3610	16.16	13.44	14.34	10						
C	105312-3612	18.66	15.94	16.84	12	GOLD 0.76 + LUBE				
	105312-3614	21.16	18.44	19.34	14					
	105312-3616	23.66	20.94	21.84	16					
	105312-3804	8.66	5.94	6.84	4					
	105312-3806	11.16	8.44	9.34	6					
	105312-3808	13.66	10.94	11.84	8					
	105312-3810	16.16	13.44	14.34	10					
	105312-3812	18.66	15.94	16.84	12					
	105312-3814	21.16	18.44	19.34	14					
	105312-3816	23.66	20.94	21.84	16					
COLOR: BLACK										



	10	9	8	7	6	5	4	3	2	1
	PART NUMBER	DIM 'A'	DIM 'B'	DIM 'C'	CKT SIZE	PLATING	MYLAR			
F	105312-4504	8.66	5.94	6.84	4	TIN				
	105312-4506	11.16	8.44	9.34	6					
	105312-4508	13.66	10.94	11.84	8					
	105312-4510	16.16	13.44	14.34	10					
E	105312-4512	18.66	15.94	16.84	12	GOLD 0.38				
	105312-4514	21.16	18.44	19.34	14					
	105312-4516	23.66	20.94	21.84	16					
	105312-4704	8.66	5.94	6.84	4					
105312-4706	11.16	8.44	9.34	6						
105312-4708	13.66	10.94	11.84	8						
105312-4710	16.16	13.44	14.34	10						
D	105312-4712	18.66	15.94	16.84	12	GOLD 0.76				
	105312-4714	21.16	18.44	19.34	14					
	105312-4716	23.66	20.94	21.84	16					
	105312-4604	8.66	5.94	6.84	4					
105312-4606	11.16	8.44	9.34	6						
105312-4608	13.66	10.94	11.84	8						
105312-4610	16.16	13.44	14.34	10						
C	105312-4612	18.66	15.94	16.84	12	GOLD 0.76 + LUBE				
	105312-4614	21.16	18.44	19.34	14					
	105312-4616	23.66	20.94	21.84	16					
	105312-4804	8.66	5.94	6.84	4					
	105312-4806	11.16	8.44	9.34	6					
	105312-4808	13.66	10.94	11.84	8					
	105312-4810	16.16	13.44	14.34	10					
	105312-4812	18.66	15.94	16.84	12					
	105312-4814	21.16	18.44	19.34	14					
	105312-4816	23.66	20.94	21.84	16					
COLOR: NATURAL										



FUNCTIONAL SYMBOLS	THIS DRAWING CONTAINS INFORMATION THAT IS PROPRIETARY TO MOLEX ELECTRONIC TECHNOLOGIES, LLC AND SHOULD NOT BE USED WITHOUT WRITTEN PERMISSION		CURRENT REV DESC:							
	$\nabla_A = 0$ $\nabla_E = 0$ $\nabla_F = 0$	DIMENSION UNITS: mm SCALE: 5:1							GENERAL TOLERANCES (UNLESS SPECIFIED) ANGULAR TOL $\pm 3.0^\circ$	
DIVISIONAL SYMBOLS	4 PLACES	\pm	EC NO: 697101		2022/02/24 2022/02/25 2022/02/25					
	3 PLACES	± 0.1	DRWN: GLLI							
	2 PLACES	± 0.2	CHK'D: XQZHANG							
	1 PLACE	± 0.3	APPR: XQZHANG							
0 PLACES	\pm	INITIAL REVISION:		2019/09/24 2020/03/16						
DRAFT WHERE APPLICABLE MUST REMAIN WITHIN DIMENSIONS		THIRD ANGLE PROJECTION	DRAWING	SERIES	MATERIAL NUMBER	CUSTOMER	DOCUMENT NUMBER	DOC TYPE	DOC PART	REVISION
			A3-SIZE	105312	1053121000-SD	GENERAL MARKET	PSD	000	B1	3 OF 5

		4 CKT	6 CKT	8 CKT	10 CKT
F	BLACK				
E	NATURAL				
		12 CKT	14 CKT	16 CKT	
D	BLACK				
C	NATURAL				

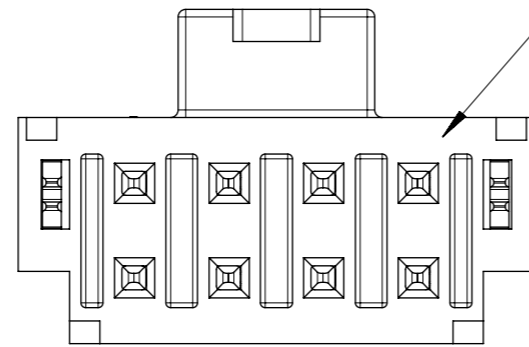
FUNCTIONAL SYMBOLS	THIS DRAWING CONTAINS INFORMATION THAT IS PROPRIETARY TO MOLEX ELECTRONIC TECHNOLOGIES, LLC AND SHOULD NOT BE USED WITHOUT WRITTEN PERMISSION		CURRENT REV DESC:		molex					
	$\nabla_A = 0$ $\nabla_E = 0$ $\nabla_V = 0$	DIMENSION UNITS: mm SCALE: 3:1 GENERAL TOLERANCES (UNLESS SPECIFIED) ANGULAR TOL $\pm 3.0^\circ$						EC NO: 697101 DRWN: GLLI APPR: XQZHANG INITIAL REVISION: DRWN: GLLI APPR: YXZHENG	2022/02/24 2022/02/25 2022/02/25 2019/09/24 2020/03/16	HEADER OF NANO-FIT, D/R, CLIP, VERTICAL POWER CONNECTOR PRODUCT CUSTOMER DRAWING
DIVISIONAL SYMBOLS	4 PLACES \pm 3 PLACES ± 0.1 2 PLACES ± 0.2 1 PLACE ± 0.3 0 PLACES \pm	DRAFT WHERE APPLICABLE MUST REMAIN WITHIN DIMENSIONS		THIRD ANGLE PROJECTION 	DRAWING: A3-SIZE	SERIES: 105312	DOCUMENT NUMBER: 1053121000-SD	DOC TYPE: PSD	DOC PART: 000	REVISION: B1
	MATERIAL NUMBER: 105312		CUSTOMER: GENERAL MARKET		SHEET NUMBER: 4 OF 5					

NOTES FOR ALL PARTS

1> MATERIAL:
 HOUSING: LCP, UL 94V-0.
 TERMINAL: BRASS.
 SOLDER CLIP: BRASS.

2> PLATING FINISHED:
 TERMINAL:
 CONTACT AREA: a. REFLOW MATTE TIN 1.5MICRONS MIN;
 b. GOLD 0.38 MICRONS MIN;
 c. GOLD 0.76 MICRONS MIN.
 SOLDER AREA: MATTE TIN 1.5 MICRONS MIN, UNDER PLATING NICKEL 1.25 MICRONS MIN.
 SOLDER CLIP: MATTE TIN 2.5 MICRONS MIN, UNDER PLATING NICKEL 1.25 MICRONS MIN.

3> PRODUCT SPECIFICATION: PS-105300-100.
 4> PACKAGE: TAPE REEL, 1053121000-PK.
 5> PRODUCT MATE WITH SERIES OF 105308(RECEPTACLE), 105300(CRIMP TERMINAL).
 6> PARTS CONFORM TO CLASS 'B'REQUIREMENTS OF COSMETIC SPECIFICATION PS-45499-002.
 7> DISCOLORATION IN THE BANDOLIER PIN CARRIER AREA OF THE PIN IS INHERENT TO THE PLATING PROCESS AND IS DUE TO THE MASKING DEFECT OF THE CARRIER, THIS DISCOLORATION IS IN A NON-FUNCTION AREA OF THE PIN AND WILL NOT AFFECT THE PERFORMANCE OF THE HEADER ASSEMBLY.



IF ANY NUMBER MARK APPEARS ON THIS SURFACE, PLEASE DISREGARD IT, IT IS NO ANY FUCTION AND NO ANY RELATION TO PIN NUMBER, IT IS JUST FOR MOLDING IDENDIFICATION.

FUNCTIONAL SYMBOLS	THIS DRAWING CONTAINS INFORMATION THAT IS PROPRIETARY TO MOLEX ELECTRONIC TECHNOLOGIES, LLC AND SHOULD NOT BE USED WITHOUT WRITTEN PERMISSION		CURRENT REV DESC:		molex				
	▽A = 0	mm							1:1
▽E = 0	GENERAL TOLERANCES (UNLESS SPECIFIED)		EC NO: 697101 DRWN: GLLI 2022/02/24 CHK'D: XQZHANG 2022/02/25 APPR: XQZHANG 2022/02/25		HEADER OF NANO-FIT, D/R, CLIP, VERTICAL POWER CONNECTOR				
▽E = 0	ANGULAR TOL ± 3.0°								
DIVISIONAL SYMBOLS	4 PLACES	±				PRODUCT CUSTOMER DRAWING			
	3 PLACES	±			0.1				
	2 PLACES	±	0.2	INITIAL REVISION:		DOCUMENT NUMBER	DOC TYPE	DOC PART	REVISION
1 PLACE	±	0.3	DRWN: GLLI 2019/09/24	1053121000-SD	PSD	000	B1		
0 PLACES	±		APPR: YXZHENG 2020/03/16	MATERIAL NUMBER		CUSTOMER		SHEET NUMBER	
DRAFT WHERE APPLICABLE MUST REMAIN WITHIN DIMENSIONS			THIRD ANGLE PROJECTION	DRAWING	SERIES	GENERAL MARKET		5 OF 5	
				A3-SIZE	105312				