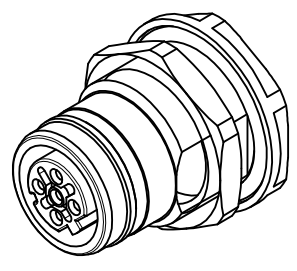
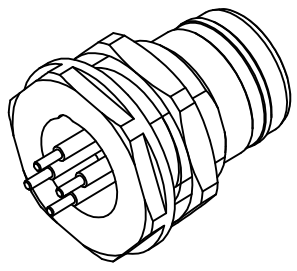


VOLTAGE RATING: 30 VAC / 36 VDC
 AMPERE RATING: 2 A
 PROTECTION CLASS: IP 67/68/69K
 OPERATING TEMPERATURE: -40°C / 90°C

ITEM	QTY	COMPONENT	MATERIAL	FINISH
1	1	O-RING 15x1.5	EPDM BK	-
2	1	O-RING 7,1x1.35	EPDM VL	-
3	4	FEM PCB CONTACT	CuNi1Pb1P (C97)	Cu/Ni2AuCo0.5
4	1	REC. SHELL FE	BRASS	Ni PLATED
5	1	INSERT M12 4P FE	PUR BK	-
6	1	M16x1,5 LOCKNUT	BRASS	Ni PLATED
7	-	POTTING MATERIAL	PU NATURAL	-
8	-	POTTING MATERIAL	HARDNER NATURAL	-
-	-	PACKAGING	FOLD PACKAGING GR.2	-



ENTER DESCRIPTION EC NO: IPG2014-0741 DRWN: APOHL 2013/10/24 CHKD: RSILLER APPR: APOHL 2013/12/05	QUALITY SYMBOLS ▽=1 ◻=0	GENERAL TOLERANCES (UNLESS SPECIFIED) mm INCH 4 PLACES ± --- ± --- 3 PLACES ± --- ± --- 2 PLACES ± 0.05 ± --- 1 PLACE ± 0.30 ± --- 0 PLACE ± 0.50 ± --- ANGULAR ± 1 °	DIMENSION STYLE MM ONLY DRAWN BY: RSCHIEBER DATE: 2012/12/11 CHECKED BY: RSILLER DATE: 2012/12/11 APPROVED BY: CBURGER DATE: 2013/07/17	SCALE 4:1	DESIGN UNITS METRIC	THIRD ANGLE PROJECTION
	DRAFT WHERE APPLICABLE MUST REMAIN WITHIN DIMENSIONS			MATERIAL NO. 1201095011	TITLE REC U12 4P DC FE M16 BM SOL SHLD BRA AU	
				SIZE A3	DOCUMENT NO. SD-120109-011	SHEET NO. 1 OF 3
	THIS DRAWING CONTAINS INFORMATION THAT IS PROPRIETARY TO MOLEX INCORPORATED AND SHOULD NOT BE USED WITHOUT WRITTEN PERMISSION					



10 9 8 7 6 5 4 3 2 1

F

E

D

C

B

A

F

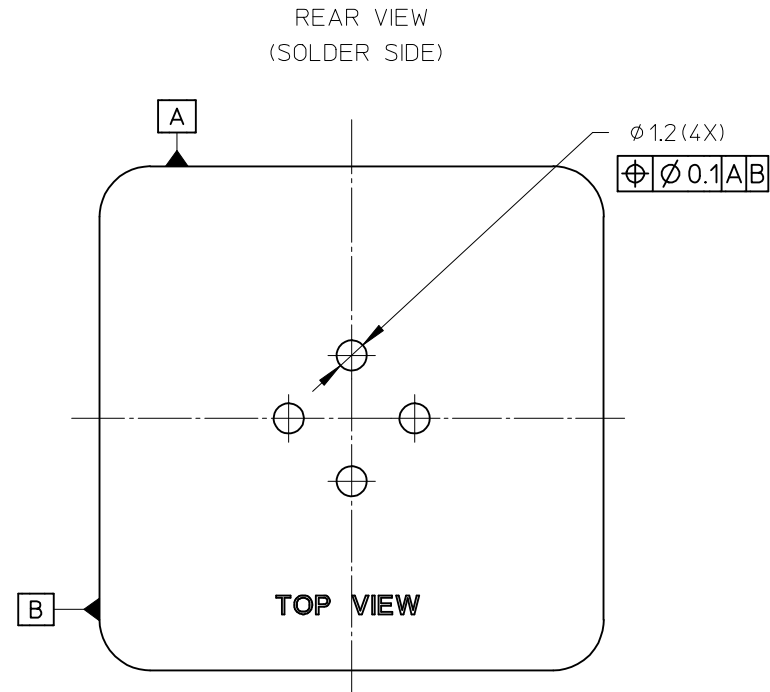
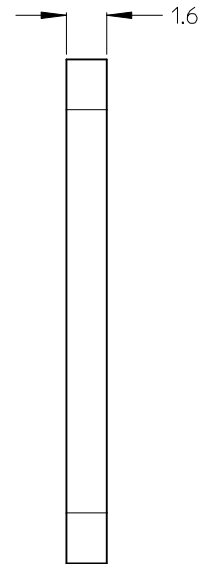
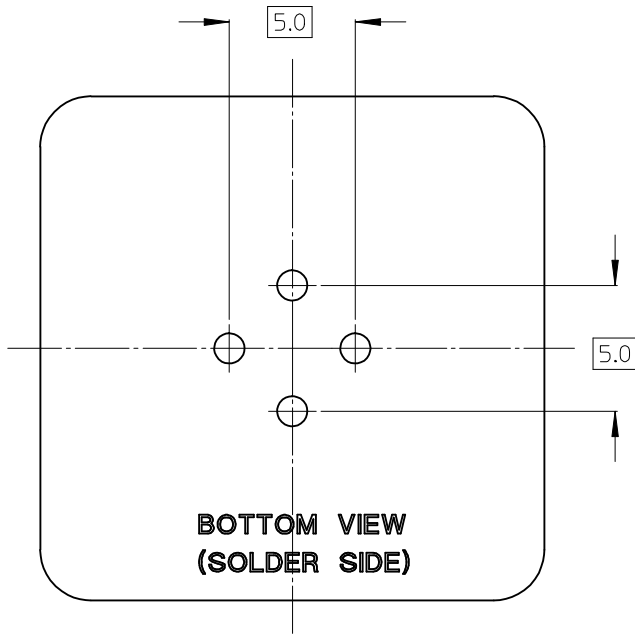
E

D

C

B

A



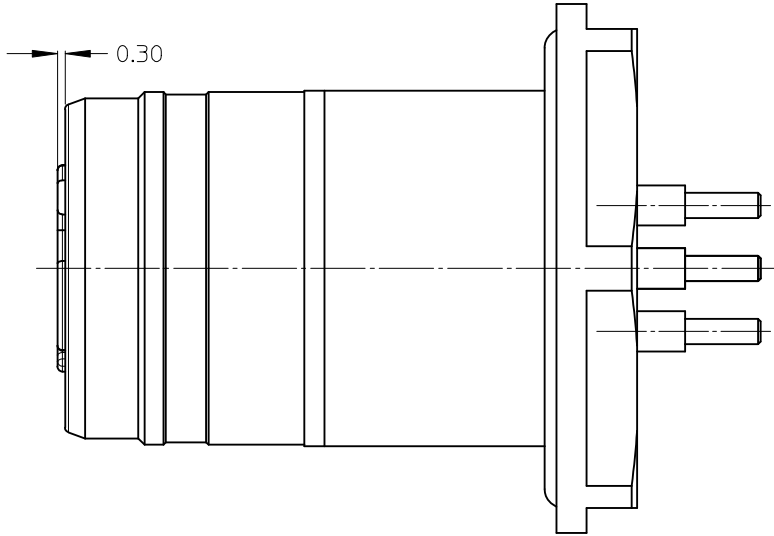
PCB PINOUT

ENTER DESCRIPTION EC NO: IPG2014-0741 DRWN: APOHL 2013/10/24 CHKD: RSILLER APPR: APOHL 2013/12/05	QUALITY SYMBOLS 	GENERAL TOLERANCES (UNLESS SPECIFIED)		DIMENSION STYLE MM ONLY	SCALE 5:1	DESIGN UNITS METRIC	THIRD ANGLE PROJECTION	
		4 PLACES ± --- ± --- 3 PLACES ± --- ± --- 2 PLACES ± 0.05 ± --- 1 PLACE ± 0.30 ± --- 0 PLACE ± 0.50 ± ---	mm INCH ± --- ± --- ± 0.05 ± --- ± 0.30 ± --- ± 0.50 ± ---	DRAWN BY: RSCHIEBER CHECKED BY: RSILLER APPROVED BY: CBURGER	DATE: 2012/12/11 DATE: 2012/12/11 DATE: 2013/07/17	TITLE REC U12 4P DC FE M16 BM SOL SHLD BRA AU		
DRAFT WHERE APPLICABLE MUST REMAIN WITHIN DIMENSIONS		ANGULAR ± 1 °		MATERIAL NO. 1201095011	DOCUMENT NO. SD-120109-011		SHEET NO. 2 OF 3	
THIS DRAWING CONTAINS INFORMATION THAT IS PROPRIETARY TO MOLEX INCORPORATED AND SHOULD NOT BE USED WITHOUT WRITTEN PERMISSION								SIZE A3

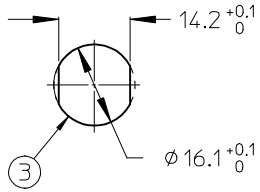
9 8 7 6 5 4 3 2 1

VIEW WITHOUT LOCK NUT

MAX. PANEL THICKNESS
WITHOUT LOCK NUT 5mm

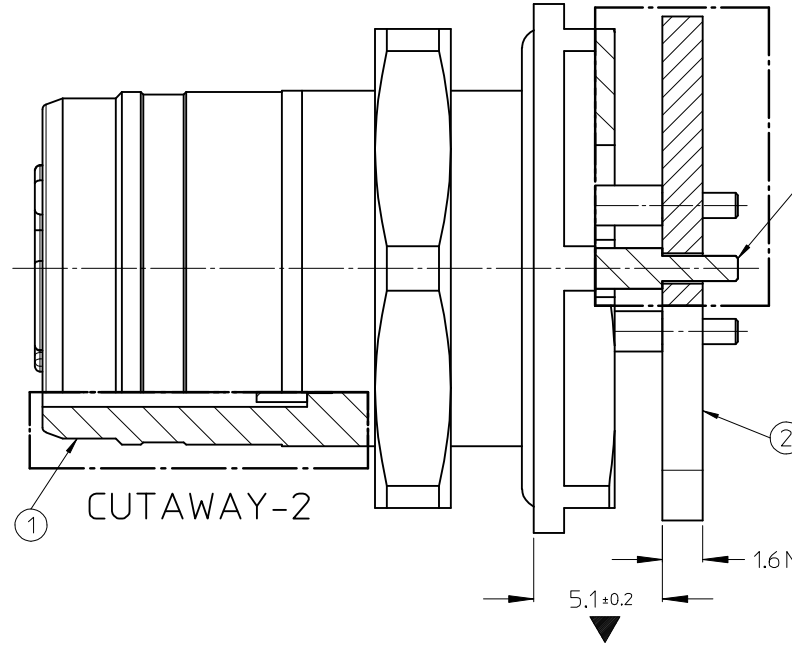


Panel Cutout



VIEW WITH LOCK NUT

MAX. PANEL THICKNESS
WITH LOCK NUT 3mm



CUTAWAY-1

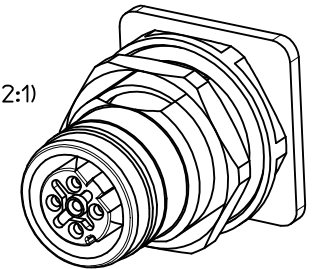
SOLDER ACCORDING TO:
IPC/WHMA-A-620 CLASS2

CUTAWAY-2

POS. DESCRIPTION

- 1 RECEPTACLE BACK MOUNT
- 2 PCB
- 3 CUTOUT

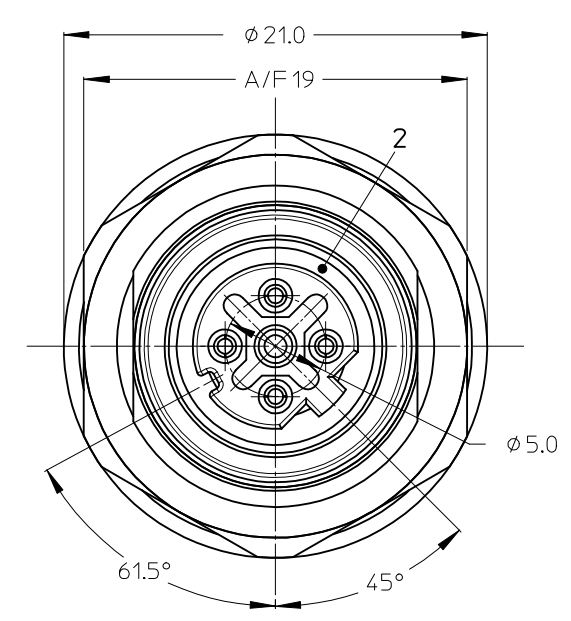
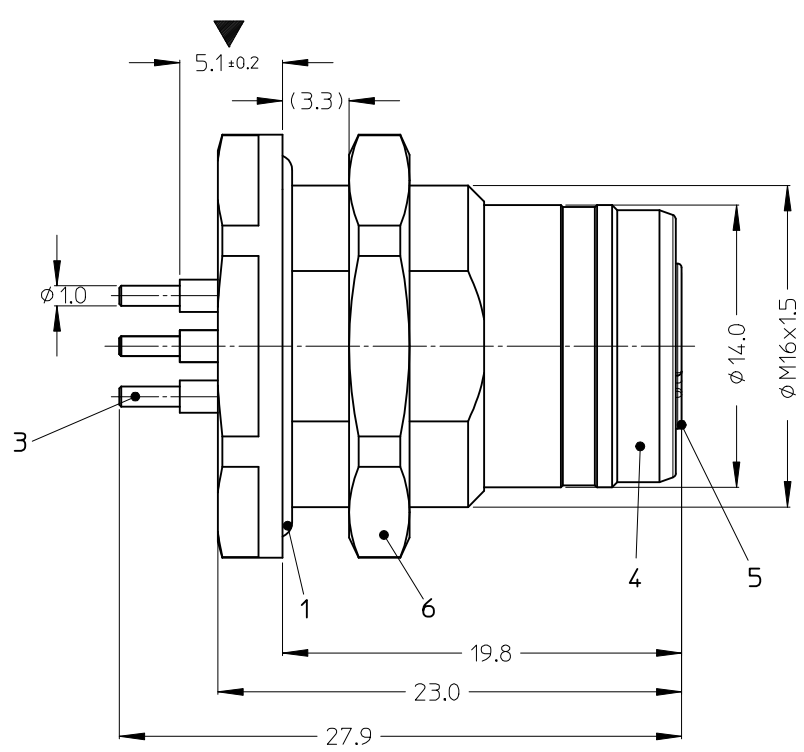
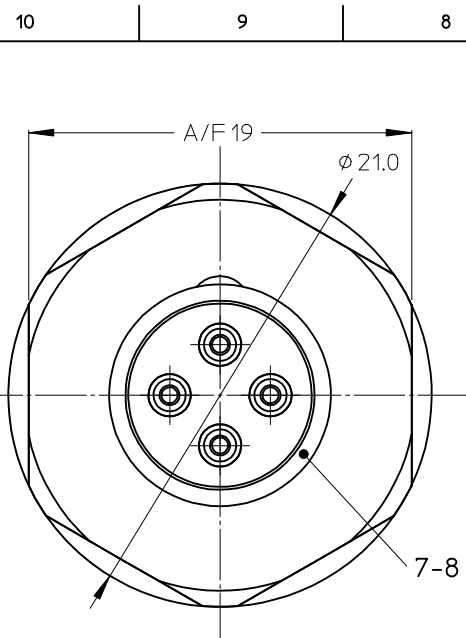
(2:1)



ASSEMBLY OF THE RECEPTACLE:

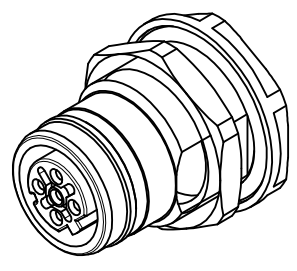
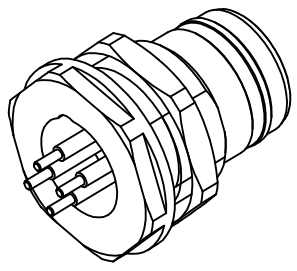
1. The receptacle (1) is soldered to PCB (2)(wave or reflow possible)
The grounding can be over the ground pins of her receptacle and, if needed, over the midpoint of the shielding cross.
2. The PCB with receptacles is mounted from the back side into the cutout(3) and fastened per screwing in or locknut.

ENTER DESCRIPTION EC NO: IPG2014-0741 DRWN: APOHL CHKD: RSILLER APPR: APOHL	2013/10/24 2013/12/05	QUALITY SYMBOLS ▽=0 ▽=1	GENERAL TOLERANCES (UNLESS SPECIFIED)		DIMENSION STYLE MM ONLY		SCALE 5:1	DESIGN UNITS METRIC	THIRD ANGLE PROJECTION	
			mm	INCH	DRAWN BY RSCHIEBER	DATE 2012/12/11	TITLE REC U12 4P DC FE M16 BM SOL SHLD BRA AU			
			± ---	± ---	CHECKED BY RSILLER	DATE 2012/12/11	molex DOCUMENT NO. SD-120109-011 SHEET NO. 3 OF 3			
			± 0.05	± ---	APPROVED BY CBURGER	DATE 2013/07/17				
	± 0.30	± ---	MATERIAL NO. 1201095011		SIZE A3					
	± 0.50	± ---	DRAFT WHERE APPLICABLE MUST REMAIN WITHIN DIMENSIONS		THIS DRAWING CONTAINS INFORMATION THAT IS PROPRIETARY TO MOLEX INCORPORATED AND SHOULD NOT BE USED WITHOUT WRITTEN PERMISSION					



VOLTAGE RATING: 30 VAC / 36 VDC
 AMPERE RATING: 2 A
 PROTECTION CLASS: IP 67/68/69K
 OPERATING TEMPERATURE: -40°C / 90°C

ITEM	QTY	COMPONENT	MATERIAL	FINISH
1	1	O-RING 15x1.5	EPDM BK	-
2	1	O-RING 7,1x1.35	EPDM VL	-
3	4	FEM PCB CONTACT	CuNi1Pb1P (C97)	Cu/Ni2AuCo0.5
4	1	REC. SHELL FE	BRASS	Ni PLATED
5	1	INSERT M12 4P FE	PUR BK	-
6	1	M16x1,5 LOCKNUT	BRASS	Ni PLATED
7	-	POTTING MATERIAL	PU NATURAL	-
8	-	POTTING MATERIAL	HARDNER NATURAL	-
-	-	PACKAGING	FOLD PACKAGING GR.2	-



ENTER DESCRIPTION EC NO: IPG2014-0741 DRWN: APOHL 2013/10/24 CHKD: RSILLER APPR: APOHL 2013/12/05	QUALITY SYMBOLS ▽=1 ◻=0	GENERAL TOLERANCES (UNLESS SPECIFIED) mm INCH 4 PLACES ± --- ± --- 3 PLACES ± --- ± --- 2 PLACES ± 0.05 ± --- 1 PLACE ± 0.30 ± --- 0 PLACE ± 0.50 ± --- ANGULAR ± 1 °	DIMENSION STYLE MM ONLY DRAWN BY: RSCHIEBER DATE: 2012/12/11 CHECKED BY: RSILLER DATE: 2012/12/11 APPROVED BY: CBURGER DATE: 2013/07/17	SCALE 4:1	DESIGN UNITS METRIC	THIRD ANGLE PROJECTION	TITLE REC U12 4P DC FE M16 BM SOL SHLD BRA AU
	DRAFT WHERE APPLICABLE MUST REMAIN WITHIN DIMENSIONS	MATERIAL NO. 1201095011	DOCUMENT NO. SD-120109-011	SHEET NO. 1 OF 3			
	SIZE A3	THIS DRAWING CONTAINS INFORMATION THAT IS PROPRIETARY TO MOLEX INCORPORATED AND SHOULD NOT BE USED WITHOUT WRITTEN PERMISSION					
	moLEX						

10 9 8 7 6 5 4 3 2 1

F

E

D

C

B

A

F

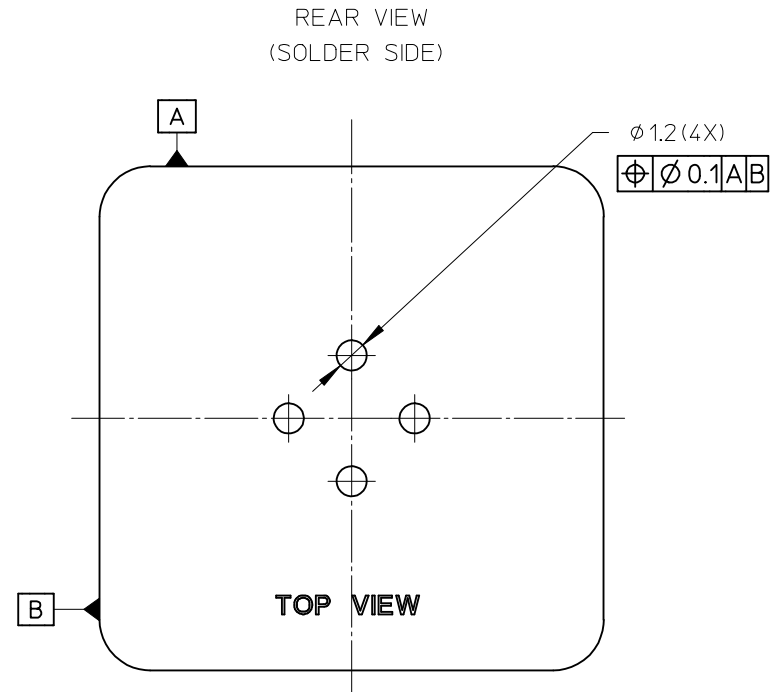
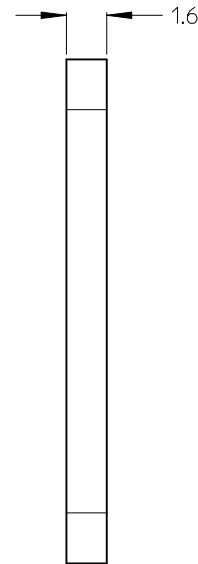
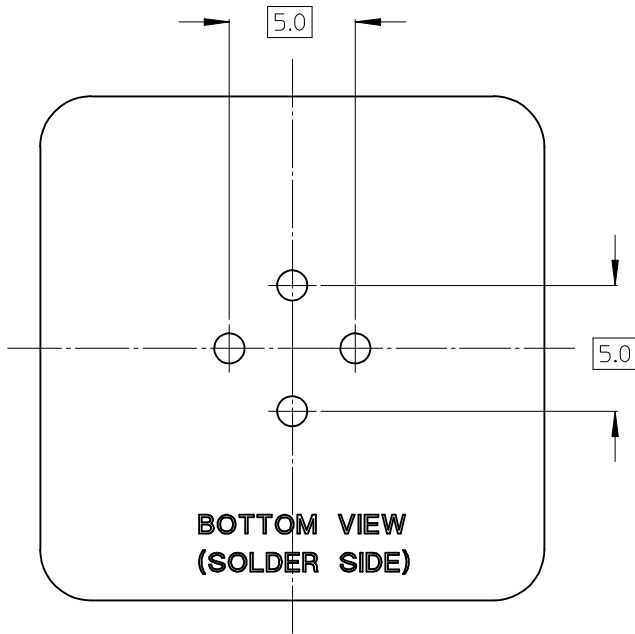
E

D

C

B

A



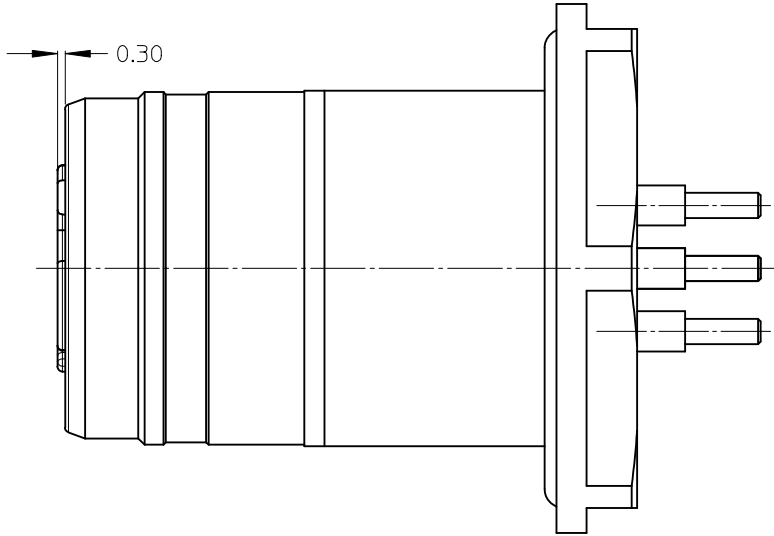
PCB PINOUT

ENTER DESCRIPTION EC NO: IPG2014-0741 DRWN: APOHL 2013/10/24 CHKD: RSILLER APPR: APOHL 2013/12/05	QUALITY SYMBOLS ▽=0 ◻=0	GENERAL TOLERANCES (UNLESS SPECIFIED)		DIMENSION STYLE MM ONLY		SCALE 5:1	DESIGN UNITS METRIC	THIRD ANGLE PROJECTION	
		4 PLACES ± --- ± --- 3 PLACES ± --- ± --- 2 PLACES ± 0.05 ± --- 1 PLACE ± 0.30 ± --- 0 PLACE ± 0.50 ± ---	mm INCH ± --- ± --- ± 0.05 ± --- ± 0.30 ± --- ± 0.50 ± ---	DRAWN BY RSCHIEBER	DATE 2012/12/11	TITLE REC U12 4P DC FE M16 BM SOL SHLD BRA AU			
ANGULAR ± 1 °		CHECKED BY RSILLER	DATE 2012/12/11	APPROVED BY CBURGER	DATE 2013/07/17	MATERIAL NO. 1201095011	DOCUMENT NO. SD-120109-011		
DRAFT WHERE APPLICABLE MUST REMAIN WITHIN DIMENSIONS		SIZE A3		THIS DRAWING CONTAINS INFORMATION THAT IS PROPRIETARY TO MOLEX INCORPORATED AND SHOULD NOT BE USED WITHOUT WRITTEN PERMISSION					

9 8 7 6 5 4 3 2 1

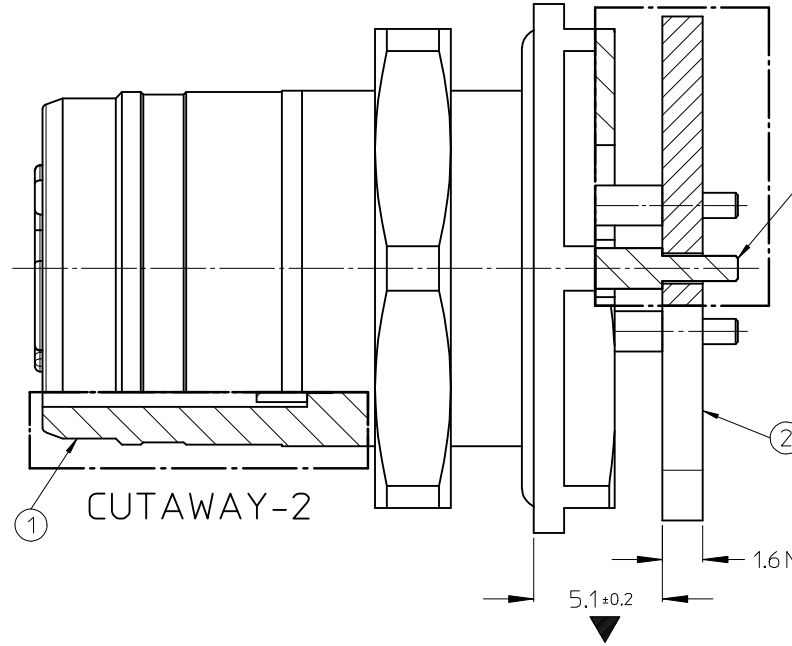
VIEW WITHOUT LOCK NUT

MAX. PANEL THICKNESS
WITHOUT LOCK NUT 5mm



VIEW WITH LOCK NUT

MAX. PANEL THICKNESS
WITH LOCK NUT 3mm

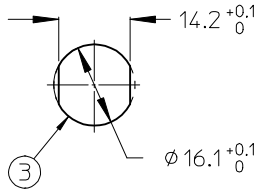


CUTAWAY-1

SOLDER ACCORDING TO:
IPC/WHMA-A-620 CLASS2

CUTAWAY-2

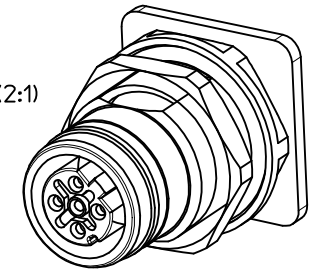
Panel Cutout



POS. DESCRIPTION

- 1 RECEPTACLE BACK MOUNT
- 2 PCB
- 3 CUTOUT

(2:1)



ASSEMBLY OF THE RECEPTACLE:

1. The receptacle (1) is soldered to PCB (2)(wave or reflow possible)
The grounding can be over the ground pins of her receptacle and, if needed, over the midpoint of the shielding cross.
2. The PCB with receptacles is mounted from the back side into the cutout(3) and fastened per screwing in or locknut.

ENTER DESCRIPTION EC NO: IPG2014-0741 DRWN: APOHL CHKD: RSILLER APPR: APOHL	2013/10/24 2013/12/05	QUALITY SYMBOLS ▽=0 ▽=1	GENERAL TOLERANCES (UNLESS SPECIFIED)		DIMENSION STYLE MM ONLY		SCALE 5:1	DESIGN UNITS METRIC	THIRD ANGLE PROJECTION	
			mm	INCH	DRAWN BY RSCHIEBER	DATE 2012/12/11	TITLE REC U12 4P DC FE M16 BM SOL SHLD BRA AU			
			± ---	± ---	CHECKED BY RSILLER	DATE 2012/12/11	molex DOCUMENT NO. SD-120109-011 SHEET NO. 3 OF 3			
			± 0.05	± ---	APPROVED BY CBURGER	DATE 2013/07/17				
	± 0.30	± ---	ANGULAR ± 1 °		MATERIAL NO. 1201095011					
	± 0.50	± ---	DRAFT WHERE APPLICABLE MUST REMAIN WITHIN DIMENSIONS		SIZE A3		THIS DRAWING CONTAINS INFORMATION THAT IS PROPRIETARY TO MOLEX INCORPORATED AND SHOULD NOT BE USED WITHOUT WRITTEN PERMISSION			