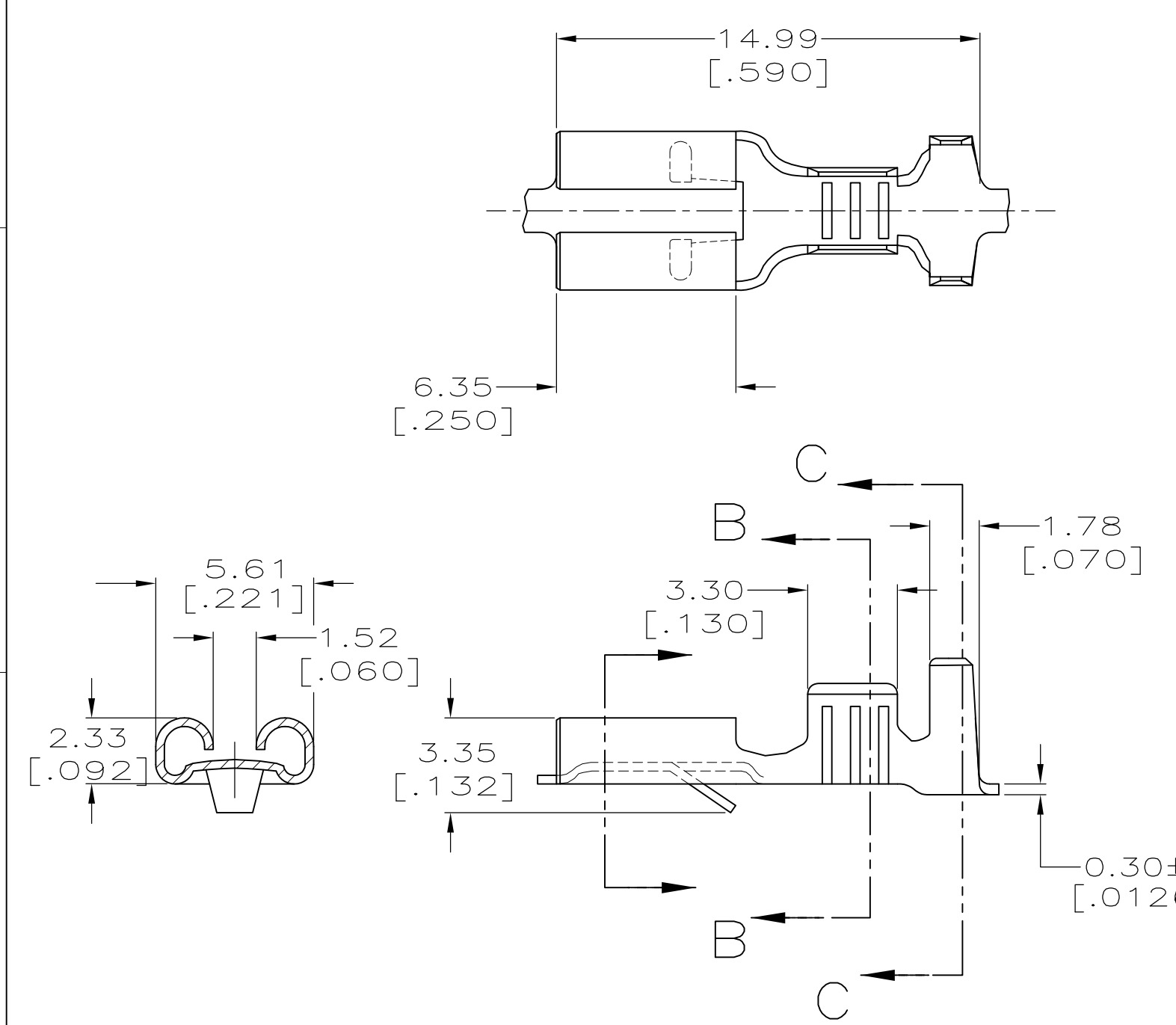
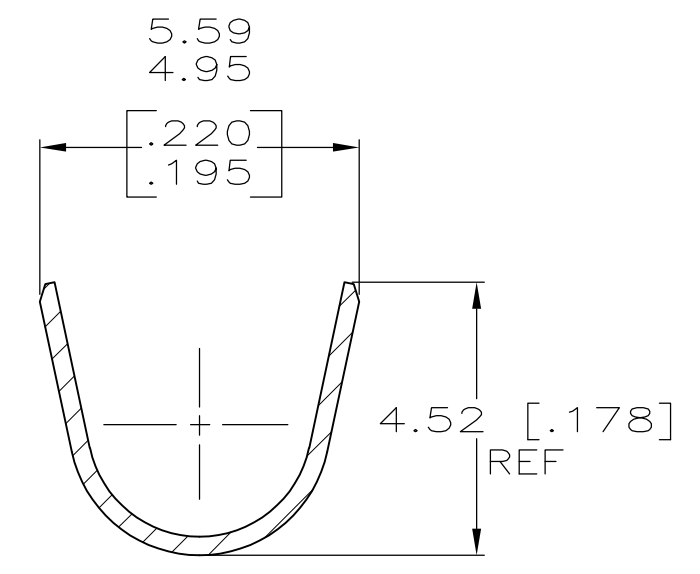
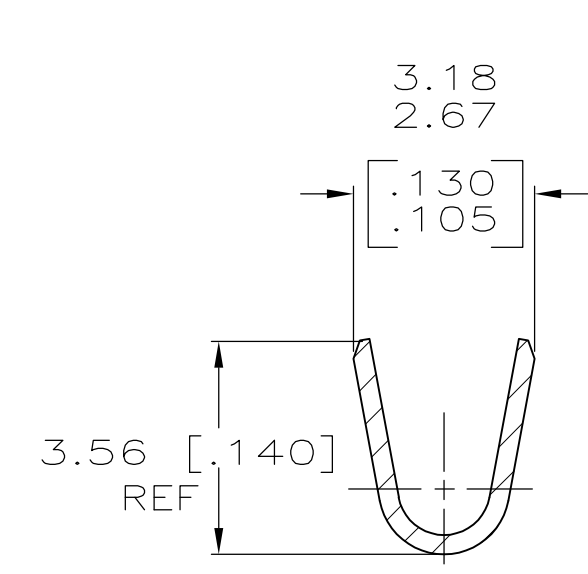


THIS DRAWING IS UNPUBLISHED. RELEASED FOR PUBLICATION
 © COPYRIGHT - By - ALL RIGHTS RESERVED.


LOC	DIST	REVISIONS			
P	LTR	DESCRIPTION	DATE	DWN	APVD
AF	50	C	REVISED PER ECR-13-005733	22AUG2013	KH PD



- 1 CONTINUOUS STRIP ON REELS.
- 2 WIRE SIZE IS [#18-#14] AWG.
- 3 INSULATION RANGE IS 2.79-4.06 [.110-.160] DIA.
- 4 MATING TAB THK IS 0.51±0.025 [.020±.001]



1217150-1
PART NO.

THIS DRAWING IS A CONTROLLED DOCUMENT.		DWN	JR RUTH	6MAY99	 TE Connectivity											
DIMENSIONS: mm [INCHES]		CHK	MS FEHER	6MAY99												
TOLERANCES UNLESS OTHERWISE SPECIFIED:		APVD	S HEADER	6MAY99												
<table border="0"> <tr><td>0 PLC</td><td>± -</td></tr> <tr><td>1 PLC</td><td>± -</td></tr> <tr><td>2 PLC</td><td>± 0.25 [.010]</td></tr> <tr><td>3 PLC</td><td>± -</td></tr> <tr><td>4 PLC</td><td>± -</td></tr> <tr><td>ANGLES</td><td>± -</td></tr> </table>		0 PLC	± -	1 PLC		± -	2 PLC	± 0.25 [.010]	3 PLC	± -	4 PLC	± -	ANGLES	± -	NAME	
0 PLC	± -															
1 PLC	± -															
2 PLC	± 0.25 [.010]															
3 PLC	± -															
4 PLC	± -															
ANGLES	± -															
MATERIAL: BRASS		FINISH: TIN		PRODUCT SPEC: -	APPLICATION SPEC: -	SIZE: A3	CAGE CODE: 00779	DRAWING NO: C-1217150	RESTRICTED TO: -							
CUSTOMER DRAWING					SCALE: 5:1	SHEET: 1 OF 1	REV: C									