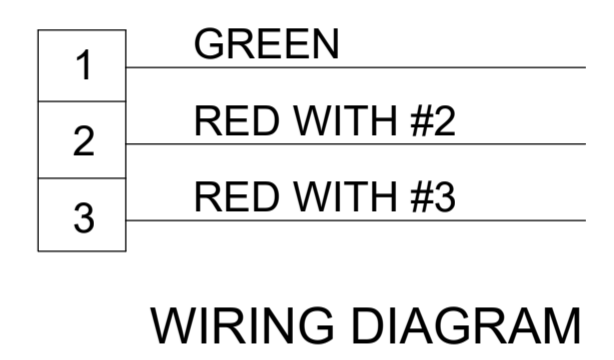
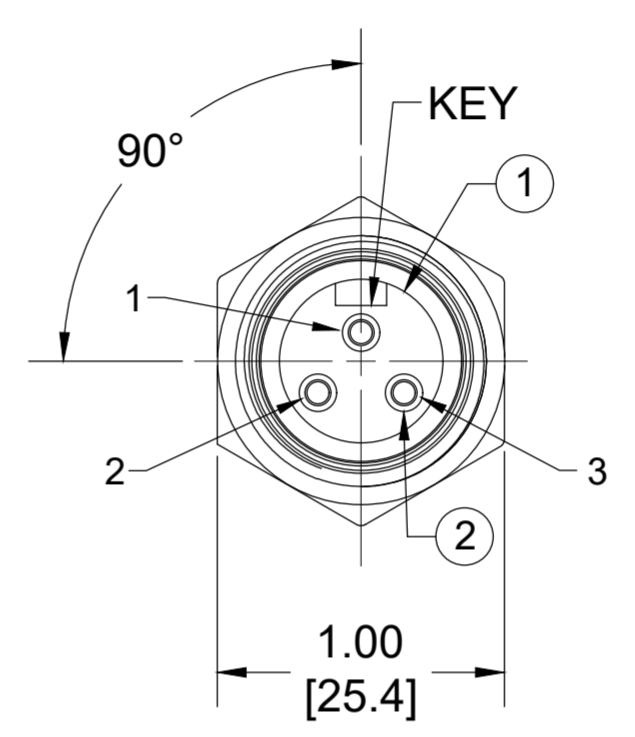
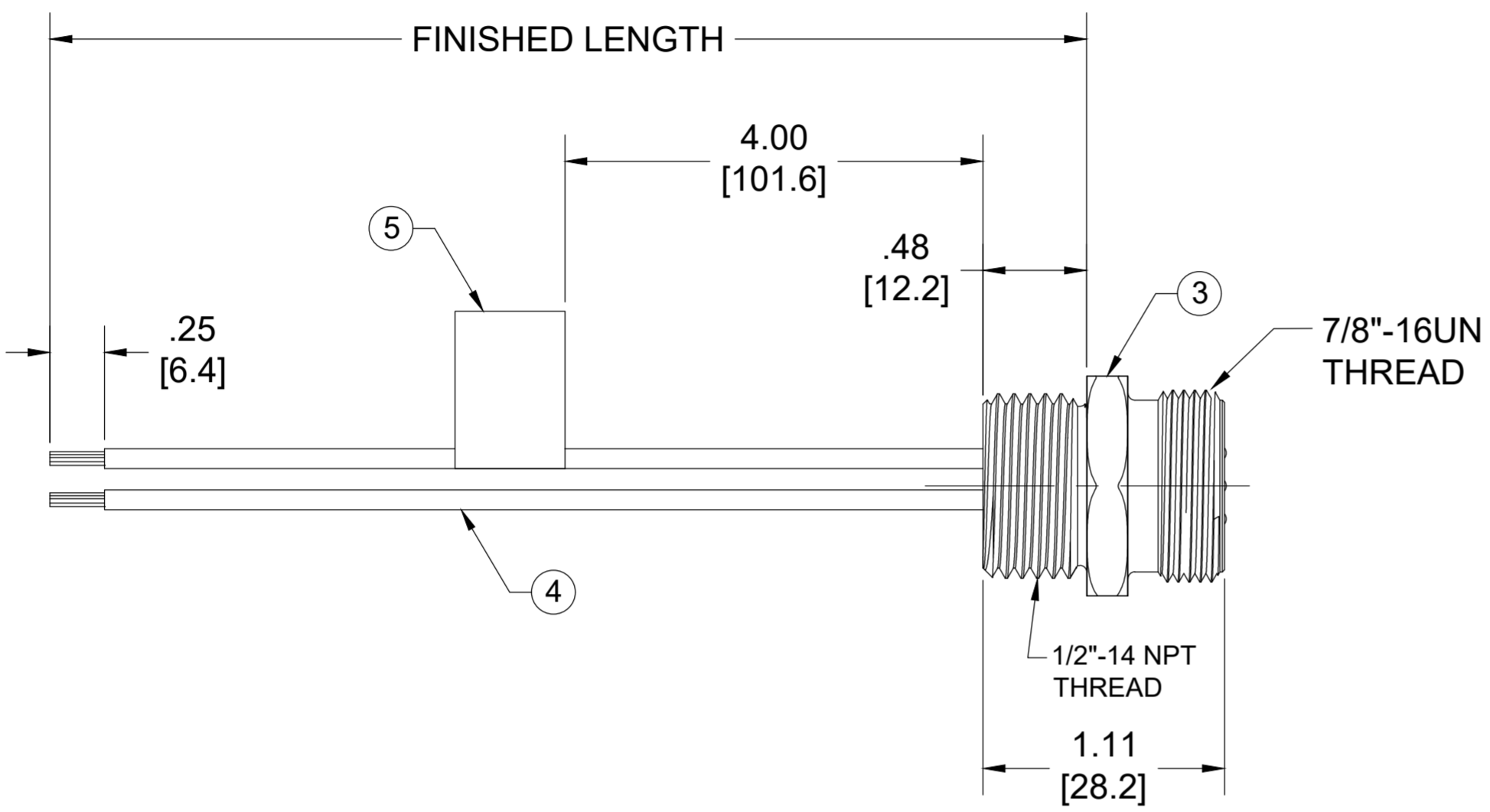
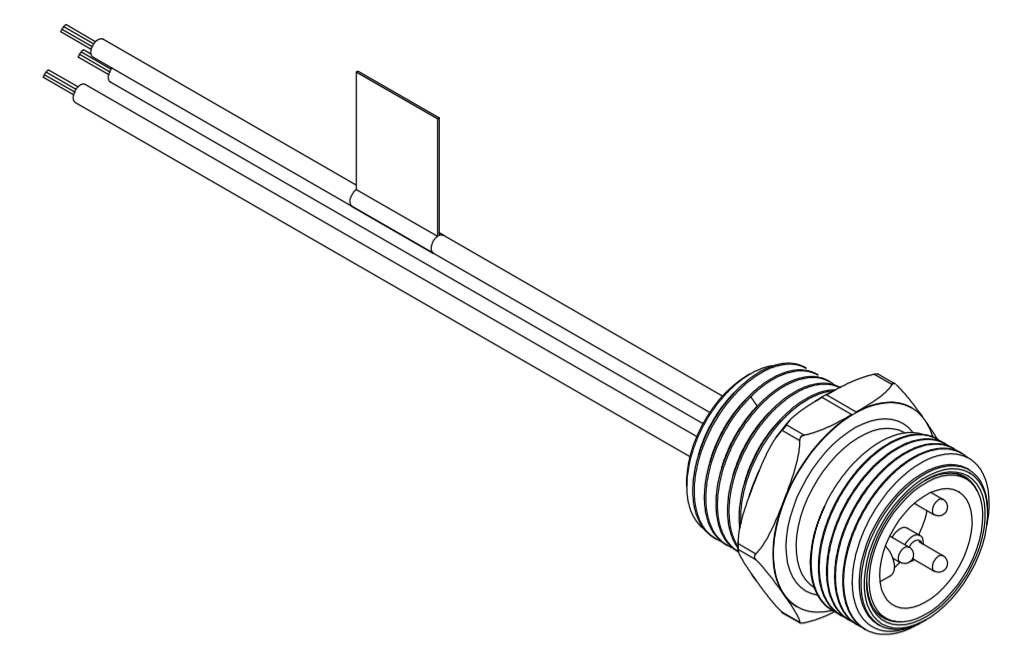


MATERIAL NUMBER	ENGINEERING NUMBER	FINISHED LENGTH
1300130229	1R3006A24A120	12IN [ 1FT ]
1300130233	1R3006A24F030	3FT [ 36 IN ]
1300130235	1R3006A24F060	6FT [ 1M 32 IN]

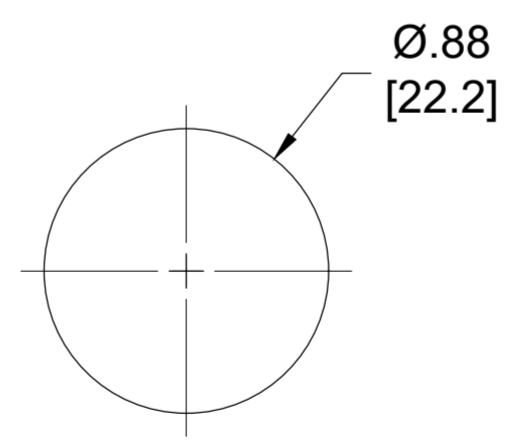


- NOTES:**
- MATERIAL: AS NOTED
  - FINISH: AS NOTED
  - ELECTRICAL:  
VOLTAGE: 500 PER IEC60664 (B)  
600 PER UL2238  
CURRENT: 13A
  - TEMP RATING: -20° TO +105°C
  - PROTECTION: IP67 (WHEN MATED)
  - COUPLING THREAD- AS NOTED
  - UL RECOGNIZED FILE: E152210  
CSA CERTIFIED FILE: LR6837
  - ALL DIMENSIONS ARE FOR REFERENCE UNLESS TOLERANCED OR NOTED OTHERWISE

**PART NO. MATRIX**  
**1R3006A24A120**

**LENGTH**  
A120= 12 IN.  
F020= 2 FEET  
F100= 10 FEET

M005= 0.5 METER  
M010= 1 METER  
M100= 10 METER



PRE-RELEASE  
REFERENCE  
USE ONLY

(B)

**CABLE LENGTH TOLERANCES**

<.3M [1FT]:	+19mm-0 [ +.75in-0]
.3 - .9M [1 - 3FT]:	+44.5mm-0 [+1.75in-0]
.9 - 1.8M [3 - 6FT]:	+55.6mm-0 [+2.19in-0]
1.8 - 3.7M [6 - 12FT]:	+88.9mm-0 [+3.50in-0]
3.7 - 7.3M [12 - 24FT]:	+165.1mm-0 [+6.50in-0]
7.3-14.6M [24 - 48FT]:	+317.5mm-0 [+12.50in-0]
14.6 - 30.5M [48-100FT]:	+622.3mm-0 [+24.50in-0]
OVER 30M [100FT]	+2% OF FINISHED LENGTH

5	FLAG LABEL	VINYL	BLACK/YELLOW
4	CABLE - 16 AWG	PVC	SEE WIRING DIAGRAM
3	RECEPTACLE SHELL	ZINC DIE CAST	BLACK E-COATED
2	CONTACT PIN	COPPER ALLOY	GOLD OVER NICKEL
1	INSERT	TPE	YELLOW
ITEM	COMPONENT	MATERIAL	FINISH

THIS DRAWING CONTAINS INFORMATION THAT IS PROPRIETARY TO MOLEX ELECTRONIC TECHNOLOGIES, LLC AND SHOULD NOT BE USED WITHOUT WRITTEN PERMISSION

FUNCTIONAL SYMBOLS	DIMENSION UNITS	SCALE	CURRENT REV DESC: ITEM #1 WAS PVC. ITEM #5 WAS PLASTIC FILM. ADDED IEC VOLTAGE, PN MATRIX & TOL CHART. MODIFIED PN CHART	
	INCH/MM	NTS		
DIVISIONAL SYMBOLS	GENERAL TOLERANCES (UNLESS SPECIFIED)		EC NO: 666551	
		mm	INCH	
FUNCTIONAL SYMBOLS	4 PLACES	±----	±----	DRWN: ABENJAMINLW 2021/04/09
	3 PLACES	±----	±----	CHK'D: RSTONE 2021/06/10
	2 PLACES	±----	±----	APPR: ----
	1 PLACE	±----	±----	INITIAL REVISION:
	0 PLACES	±----	±----	DRWN: BWOODMAN 2010/01/06
	ANGULAR TOL ±	----	°	APPR: JFMURPHY 2010/01/14
	DRAFT WHERE APPLICABLE MUST REMAIN WITHIN DIMENSIONS	THIRD ANGLE PROJECTION		DRAWING SERIES: C-SIZE 130013

<b>molex</b>		MINI-CHANGE RECEPTACLE, A-SIZE	
		3 POLE, MALE, STRAIGHT, SINGLE KEY, #16 AWG	
PRODUCT CUSTOMER DRAWING			
DOCUMENT NUMBER		DOC TYPE/DOC PART/REVISION	
SD-130013-013		PSD 001 B	
MATERIAL NUMBER	CUSTOMER	SHEET NUMBER	
SEE CHART	GENERAL MARKET	1 OF 1	