

SPECIFICATIONS

(RoHS Compliant)



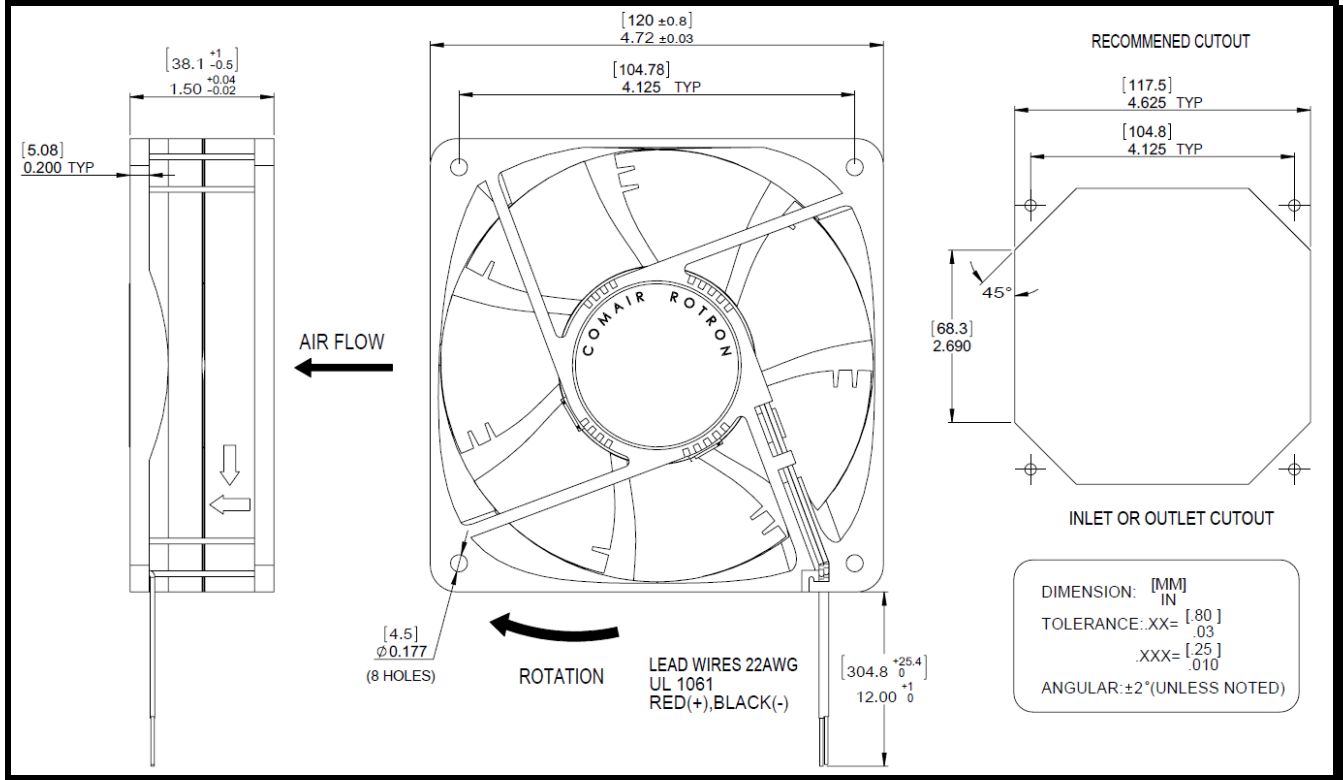
Model Number: MSD12B3E2X-E3

Version: 00

Part Number: 17001156A

Jun 12, 2018

Mechanical Drawing:



Motor:

| | |
|---------------------------|--------------|
| Nominal Voltage | = 12 vdc |
| Operating Voltage Range | = 8 - 16 vdc |
| Nominal Running Current | = 0.58 amps |
| Max. Locked Rotor Current | = 1.45 amps |
| Running Power | = 7.0 watts |
| Average Speed | = 3000 RPM |
| Bearings | = Ball |
| Air Flow | = 110 CFM |
| Acoustic | = 49.1 dBA |

Construction:

Venturi: Plastic, Black, UL 94V-0
 Propeller: Plastic, Black, UL 94V-0

Life Expectancy:

This fan is designed for continuous duty life of 45,000 hours at 70°C.

Termination:

12"±1"(304.8±25.4mm) 22AWG UL1061 Leadwires
 Red = Power(+)
 Black = Return(-)
 Blue/White = Tach output
 Yellow = PWM control

Additional Features:

Brushless DC Motor
 Automatic Restart Capability
 Electronic Locked Rotor Protection
 Polarity Protected
 Operating Temperature: -10°C to 70°C
 Storage Temperature: -40°C to 85°C
 Environmental Protection: Type 3(IP68)

TACHOMETER:

Output: Open Collector
 Ic: 20 mA max.
 Vcc: 32 Vdc max.
 Pulses per Revolution: 2
 Isolated: No

Speed Control:

PWM: 200 ~ 2 KHz, Open Collector
 <10% Duty: Off
 10%~95% Duty: Linear Ramp
 >95% Duty or Open Lead Wire: Full Speed

Agencies:

UL, CUL, CE

PQ Curve:

