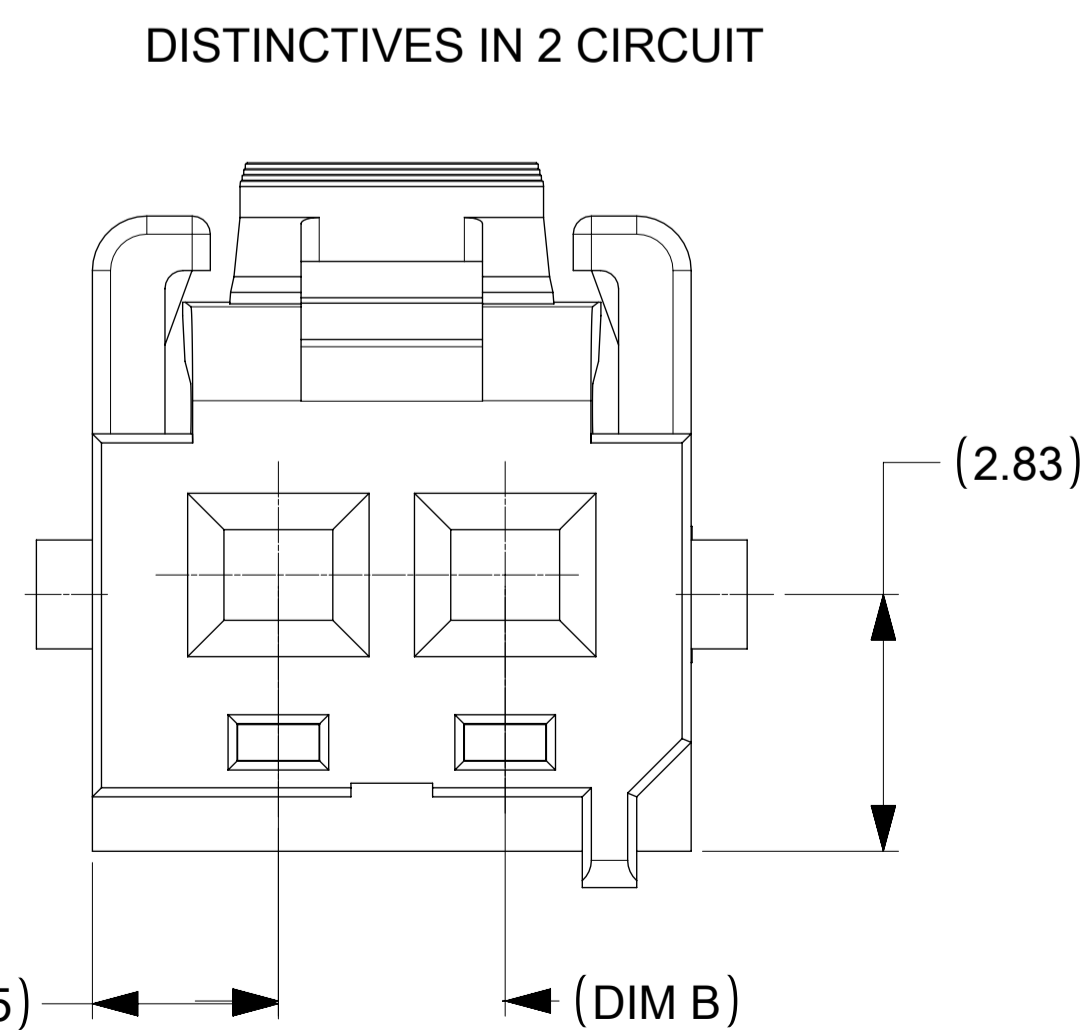
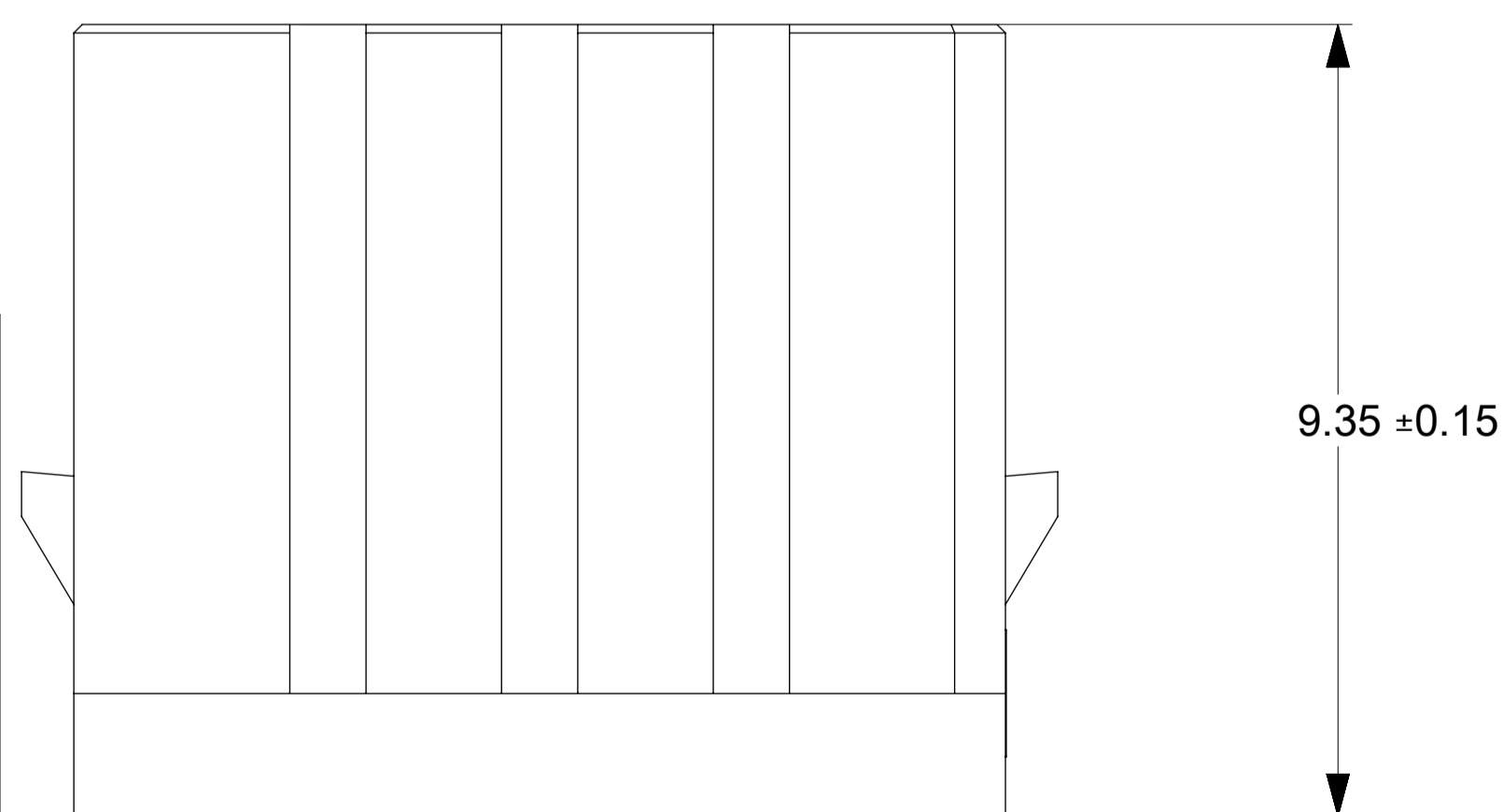
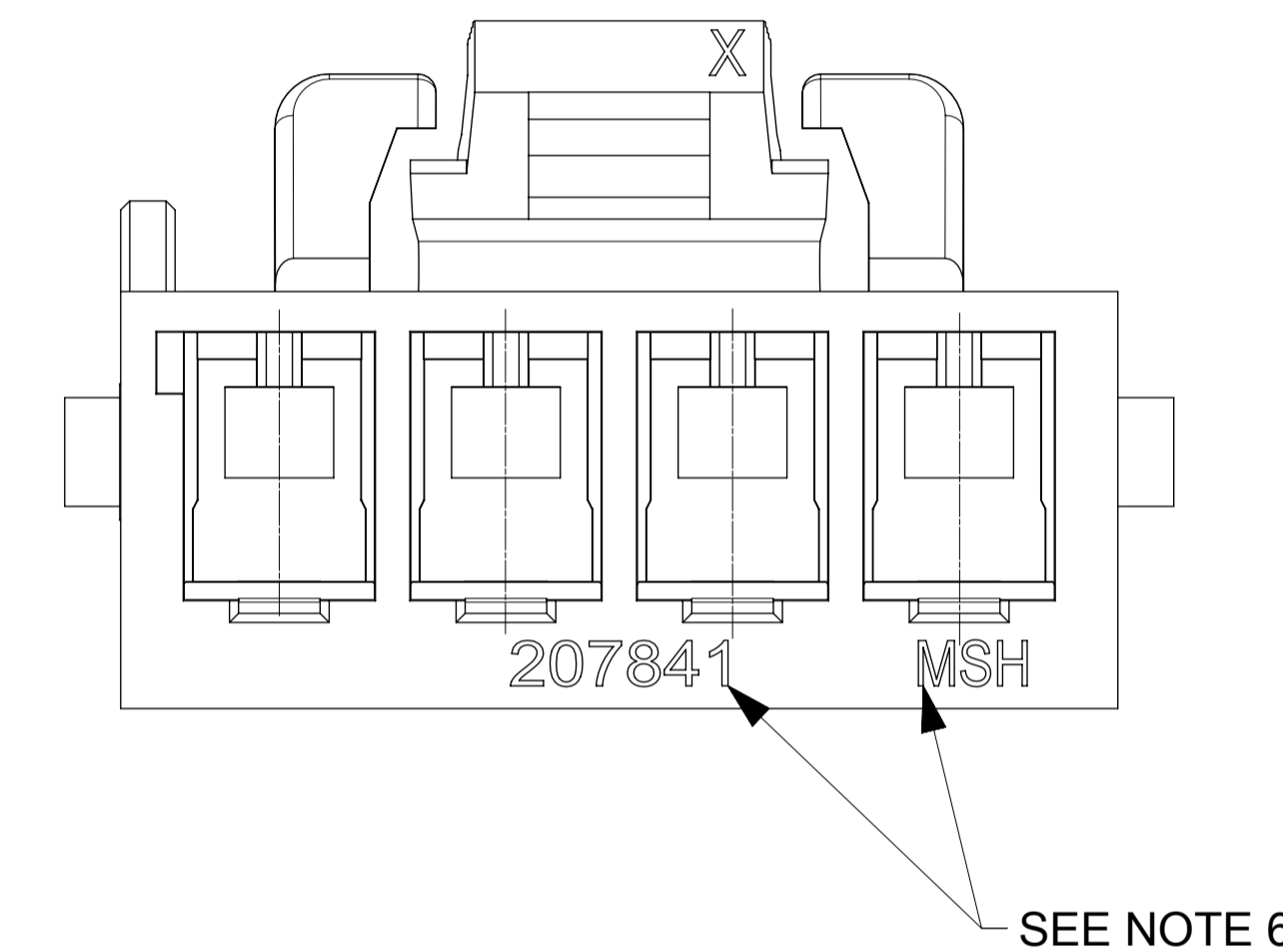
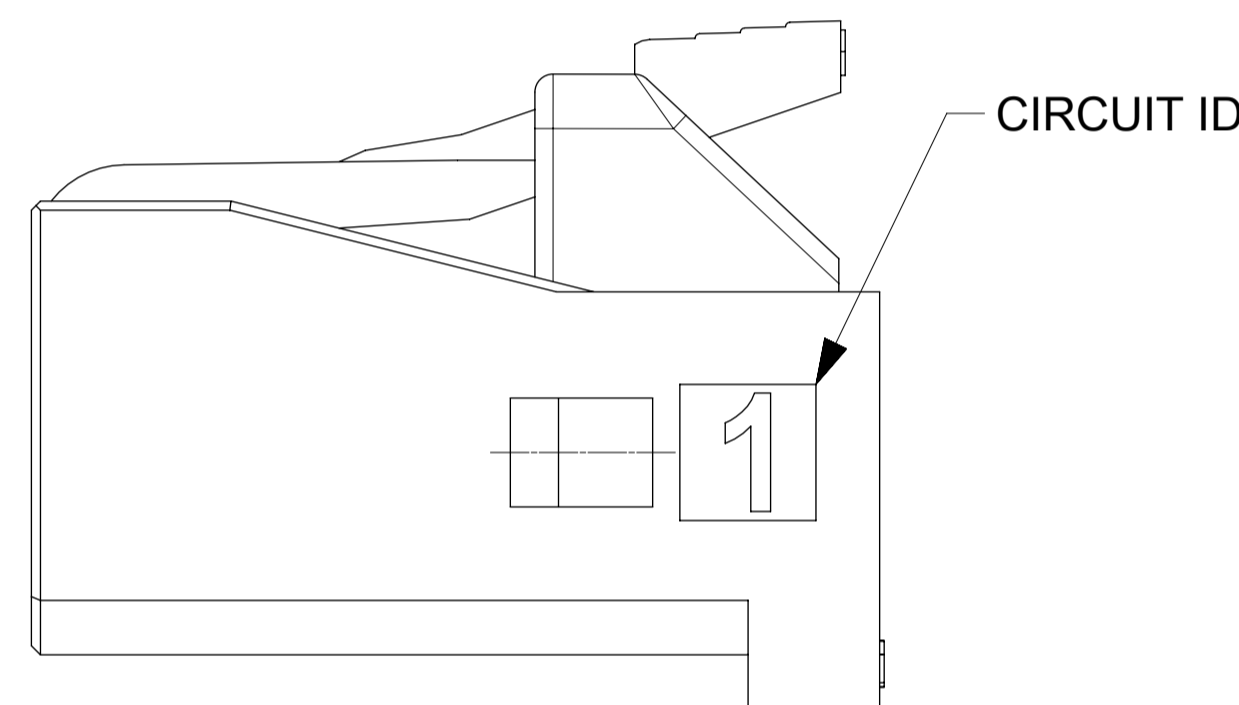
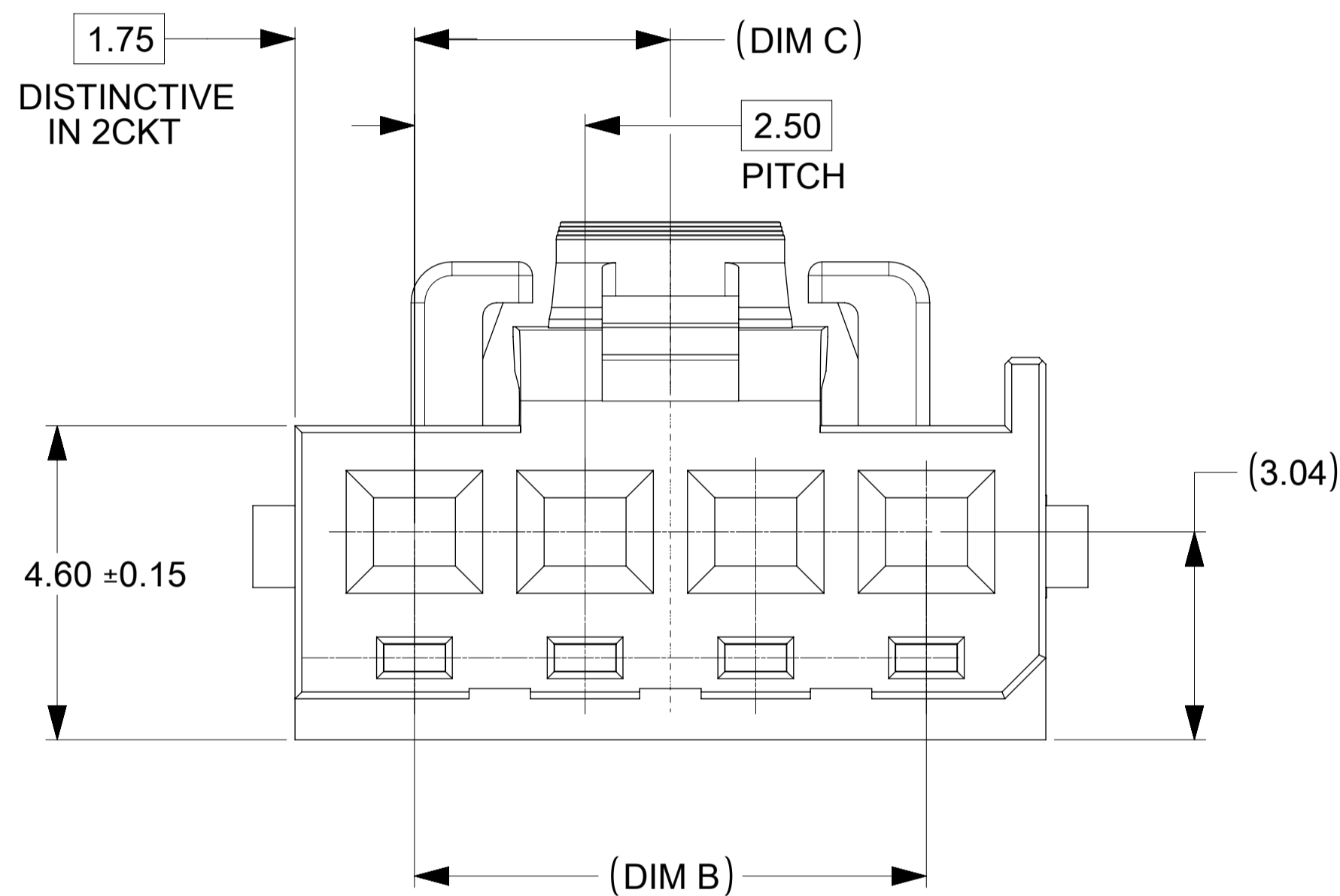


ISOMETRIC VIEW FOR 4 CIRCUIT



- NOTES:**
1. MATERIAL: PA66, UL 94V-0, COLOR-BLACK
 2. PRODUCT SPECIFICATION: 2079020001-PS
 3. PACKAGING SPECIFICATION: 2078410000-PK
 4. COSMETIC SPECIFICATION: PS-45499-002 CLASS B
 5. HOUSING ACCEPTS TERMINALS FROM 46626 SERIES
 6. MOLEX LOGO AND SERIES ID

CKT	PART NUMBER	DIM.A	DIM. B	DIM. C
02	2078410002	6.61	2.50	1.25
03	2078410003	8.50	5.00	2.50
04	2078410004	11.00	7.50	3.75
05	2078410005	13.50	10.00	5.00
06	2078410006	16.00	12.50	6.25
07	2078410007	18.50	15.00	7.50
08	2078410008	21.00	17.50	8.75

SYMBOLS		THIS DRAWING CONTAINS INFORMATION THAT IS PROPRIETARY TO MOLEX ELECTRONIC TECHNOLOGIES, LLC AND SHOULD NOT BE USED WITHOUT WRITTEN PERMISSION		CURRENT REV DESC:		molex		
▽ = 0	DIMENSION UNITS	mm	SCALE	10:1		RECEPTACLE HOUSING FOR KK PLUS 250		
▽ = 0	GENERAL TOLERANCES (UNLESS SPECIFIED)		EC NO: 706742		PRODUCT CUSTOMER DRAWING			
▽ = 0	ANGULAR TOL ± 0.5°		DRWN: SHRUTJ 2022/04/20		DOCUMENT NUMBER			
▽ = 0	4 PLACES ±		CHK'D: SHRUTJ 2022/05/13		2078410004-SD			
▽ = 0	3 PLACES ±		APPR: ISHWARG 2022/05/13		DOC TYPE		DOC PART	
▽ = 0	2 PLACES ± 0.25		INITIAL REVISION:		PSD		000	
▽ = 0	1 PLACE ± 0.3		DRWN: SUDAYGUNAGI 2018/06/18		REVISION		A2	
▽ = 0	0 PLACES ±		APPR: ISHWARG 2019/02/20		MATERIAL NUMBER		CUSTOMER	
▽ = 0	DRAFT WHERE APPLICABLE MUST REMAIN WITHIN DIMENSIONS		THIRD ANGLE PROJECTION		DRAWING		SHEET NUMBER	
▽ = 0			A1-SIZE		SERIES		1 OF 2	
			207841					

