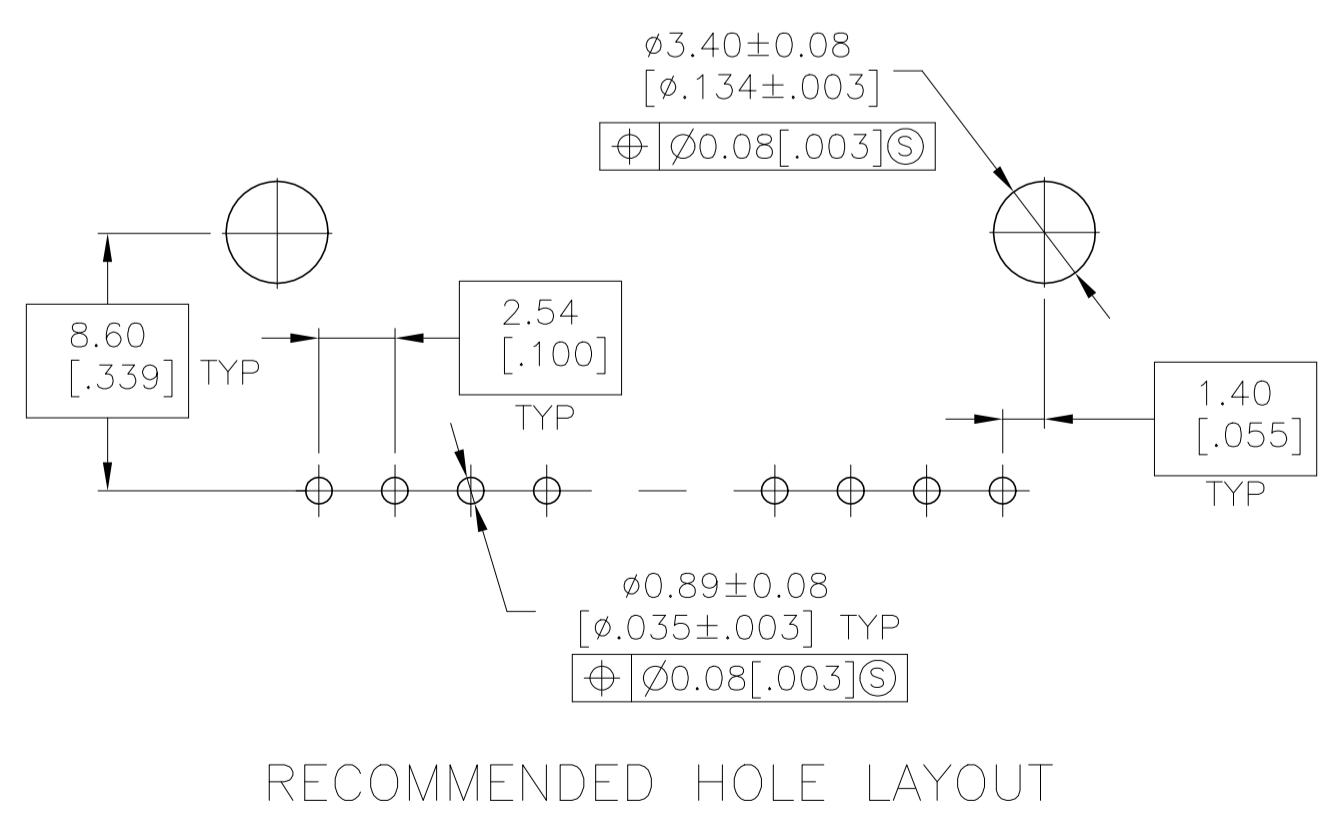
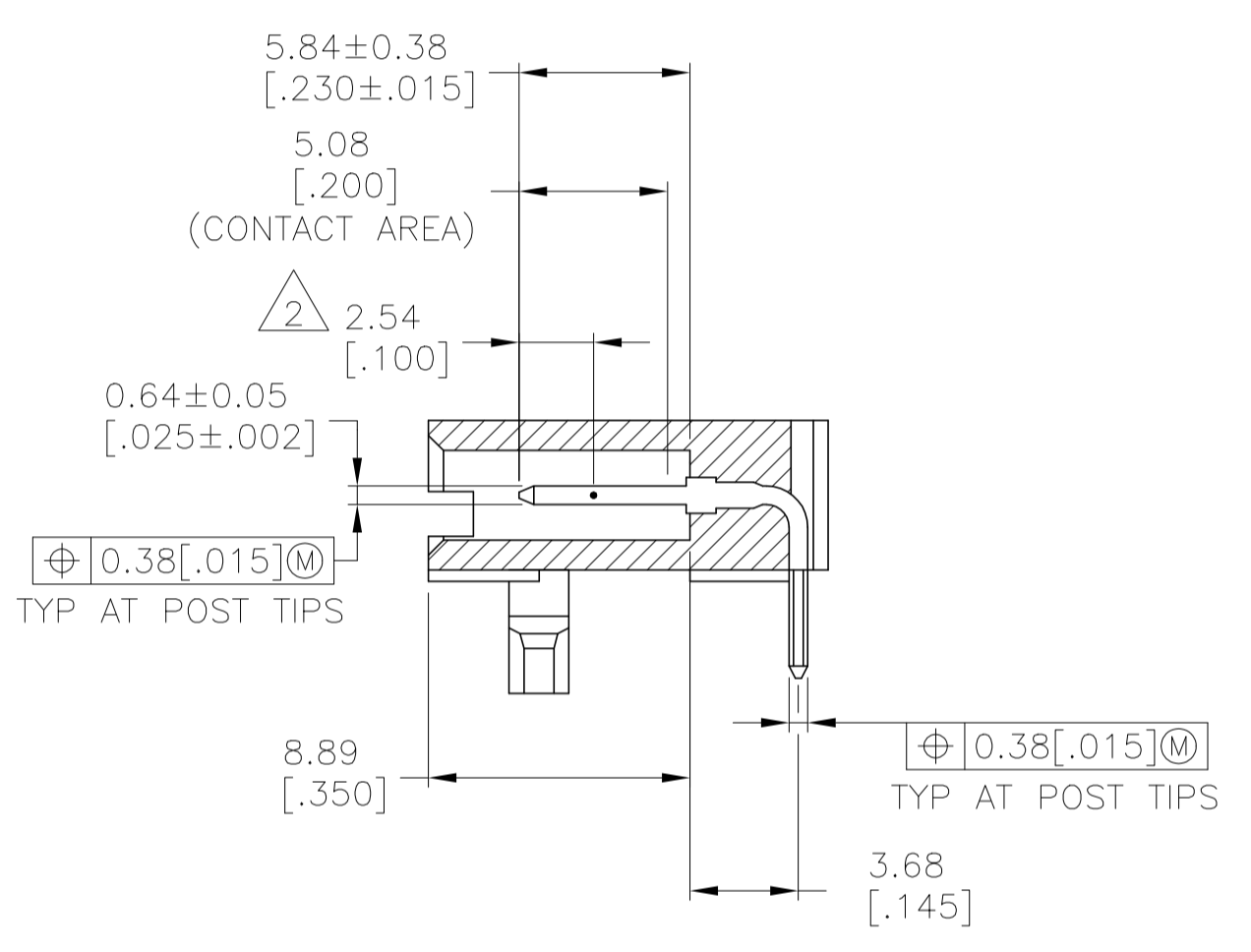
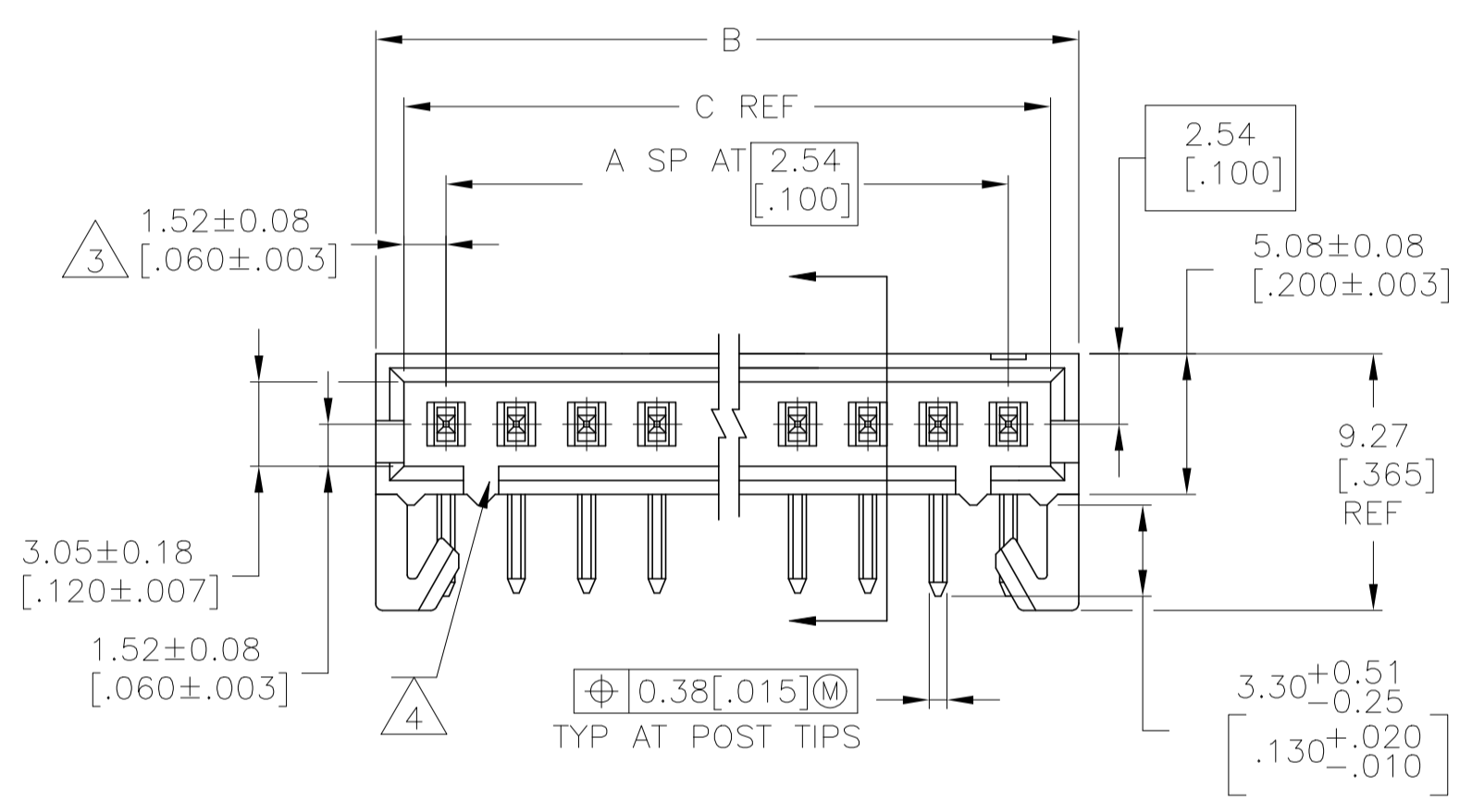
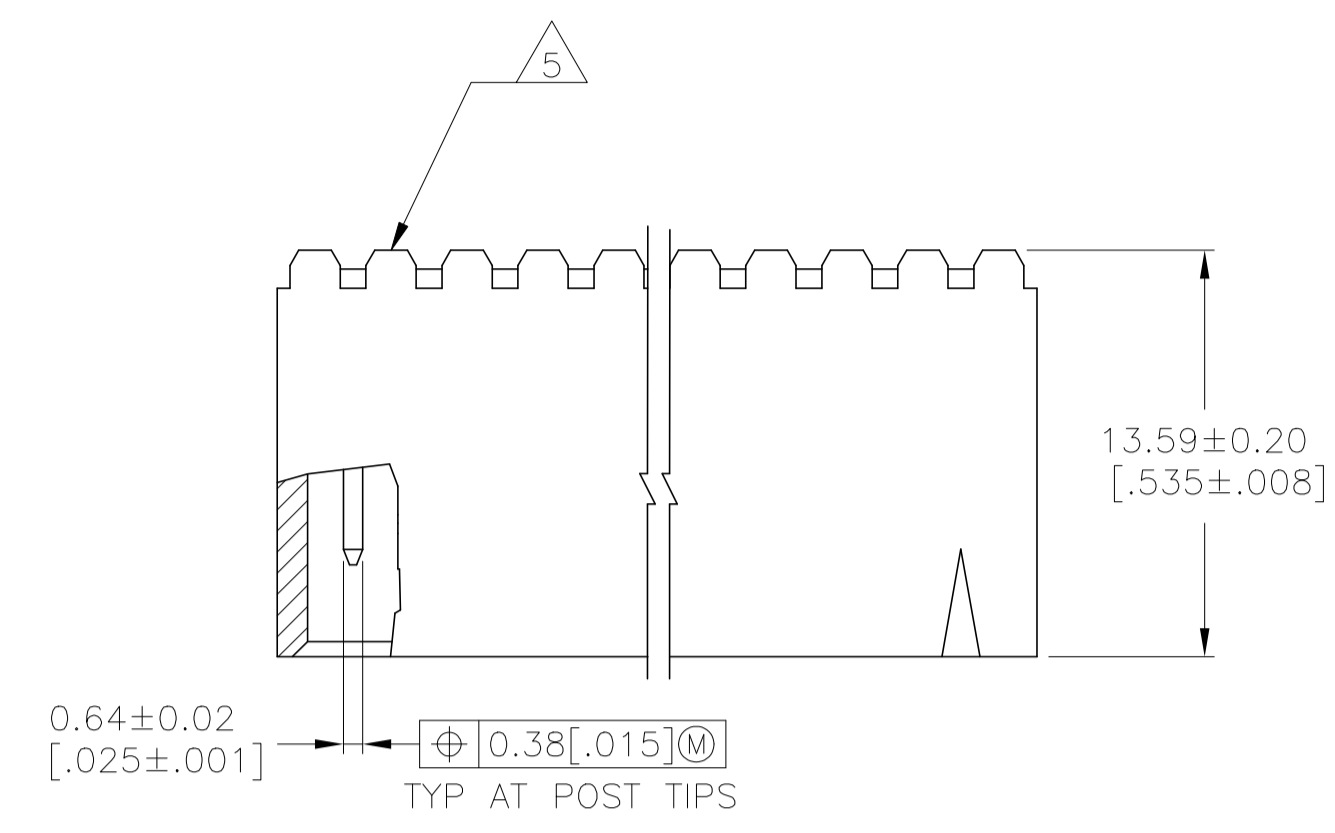


REVISIONS					
P	LTR	DESCRIPTION	DATE	DWN	APVD
R		REVISED PER ECO-17-002582	05APR2017	BDA	MM
S		REVISED PER ECO-20-001323	19JUN2020	SM	JO



- 1 .00254[.000100] BRIGHT TIN-LEAD OVER .00127[.000050] NICKEL.
- 2 POINT OF MEASUREMENT FOR PLATING THICKNESS.
- 3 THE NOTED DIMENSIONS APPLY AT THE INTERSECTION OF THE POST AND THE HOUSING.
- 4 ON ASSEMBLIES WITH FOUR OR MORE POSITIONS, TWO POLARIZATION SLOTS.
ON ASSEMBLIES WITH TWO OR THREE POSITIONS, ONE POLARIZATION SLOT.
- 5 AMP TRADEMARK MOLDED ON THIS SURFACE.
- 6 FOR USE WITH 1.57±0.20[.062±.008] PRINTED CIRCUIT BOARD.
- 7 .00254-.00508[.000100-.000200] MATTE TIN OVER .00127[.000050] NICKEL.
- 8 HIGH TEMPERATURE CONFIGURATION
- 9 OBSOLETE PARTS: OBSOLETE CIS STREAMLINING PER D.RENAUD/D.SINISI

	8	7	13.21 [0.520]	15.11 [0.595]	4	5	5-103671-4
OBSOLETE		1	64.01 [2.520]	65.91 [2.595]	24	25	2-103671-4
OBSOLETE		1	61.47 [2.420]	63.37 [2.495]	23	24	2-103671-3
OBSOLETE		1	58.93 [2.320]	60.83 [2.395]	22	23	2-103671-2
OBSOLETE		1	56.39 [2.220]	58.29 [2.295]	21	22	2-103671-1
OBSOLETE		1	53.85 [2.120]	55.75 [2.195]	20	21	2-103671-0
OBSOLETE		1	51.31 [2.020]	53.21 [2.095]	19	20	1-103671-9
OBSOLETE		1	48.77 [1.920]	50.67 [1.995]	18	19	1-103671-8
OBSOLETE		1	46.23 [1.820]	48.13 [1.895]	17	18	1-103671-7
OBSOLETE		1	43.69 [1.720]	45.59 [1.795]	16	17	1-103671-6
OBSOLETE		1	41.15 [1.620]	43.05 [1.695]	15	16	1-103671-5
OBSOLETE		1	38.61 [1.520]	40.51 [1.595]	14	15	1-103671-4
OBSOLETE		1	36.07 [1.420]	37.97 [1.495]	13	14	1-103671-3
OBSOLETE		1	33.53 [1.320]	35.43 [1.395]	12	13	1-103671-2
OBSOLETE		1	30.99 [1.220]	32.89 [1.295]	11	12	1-103671-1
OBSOLETE		1	28.45 [1.120]	30.35 [1.195]	10	11	1-103671-0
OBSOLETE		1	25.91 [1.020]	27.81 [1.095]	9	10	103671-9
OBSOLETE		1	23.37 [0.920]	25.27 [0.995]	8	9	103671-8
OBSOLETE		1	20.83 [0.820]	22.73 [0.895]	7	8	103671-7
OBSOLETE		1	18.29 [0.720]	20.19 [0.795]	6	7	103671-6
OBSOLETE		1	15.75 [0.620]	17.65 [0.695]	5	6	103671-5
			13.21 [0.520]	15.11 [0.595]	4	5	103671-4
9	OBSOLETE	1	10.67 [0.420]	12.57 [0.495]	3	4	103671-3
			8.13 [0.320]	10.03 [0.395]	2	3	103671-2
9	OBSOLETE	8	5.59 [0.220]	7.49 [0.295]	1	2	103671-1

REMARKS	FINISH	C	B	A	NO OF POSN	PART NO.

THIS DRAWING IS A CONTROLLED DOCUMENT. DWN S. SHUEY 3-5-91
 DW L. CASTAGNA 3-27-91
 L. CASTAGNA 3-27-91

DIMENSIONS: mm [INCHES]
 TOLERANCES UNLESS OTHERWISE SPECIFIED:
 0 PLC ±
 1 PLC ±
 2 PLC ± 0.13[005]
 3 PLC ±
 4 PLC ±
 ANGLES ±

MATERIAL: HOUSING: LCP
 COLOR: BLACK
 CONTACTS: BRASS

FINISH: SEE TABLE

PRODUCT SPEC: 108-25034
 APPLICATION SPEC: 114-25026

WEIGHT: -

CUSTOMER DRAWING

SCALE: 4:1

SHEET 1 OF 1

REV S

STE TE Connectivity
 HDRASSY,RTANG,SINGLEROW
 2.54[.100]CL0.64[.025]SOPST,
 WITH PLZNAND HOLD DOWNS,AMPMODU MTE

SIZE: A1
 CAGE CODE: 00779
 DRAWING NO: 103671