

- 注記 :  
NOTES :
- ① 材料及び仕上げ(めっき仕様) : TABLE 1, TABLE2 参照  
MATERIAL AND FINISHES (PLATING SPECIFICATION) : SEE TABLE 1, TABLE2.
  - ② 製品仕様書、コネクタ取扱説明書、適合嵌合相手、適合リテーナーはSHEET 5を  
ご参照下さい。  
PLEASE REFER TO SHEET 5 FOR PRODUCT SPECIFICATION,  
APPLICATION SPECIFICATION, MATE WITH AND APPLICABLE RETAINER.
  - ③ 端子テール部 及び ネイルの平坦度 : 0.1 MAXIMUM  
TAIL AND NAIL COPLANARITY TO BE 0.1 MAXIMUM
  - ④ 偶数極に適合  
APPLY TO EVEN CIRCUIT
  - ⑤ 発注番号 : SHEET 5 参照  
ORDER NUMBER : PLEASE REFER TO SHEET 5

505568\*\*7\*

極数  
CIRCUIT SIZE

番号 NO.	ハウジングカラー HOUSING COLOR
0	ナチュラル(ベージュ) NATURAL(BEIGE)
1	黒 BLACK
2	赤 RED
3	黄 YELLOW
4	青 BLUE
6	緑 GREEN
8	橙 ORANGE

奇数キャビティ : キャビティ番号及び金型番号  
偶数キャビティ : トレードマーク  
ODD CAVITY:CAVITY AND MOLD NO.  
EVEN CAVITY:TRADE MARK

奇数キャビティ : トレードマーク  
偶数キャビティ : キャビティ番号及び金型番号  
ODD CAVITY:TRADE MARK  
EVEN CAVITY:CAVITY AND MOLD NO.

① TABLE 1

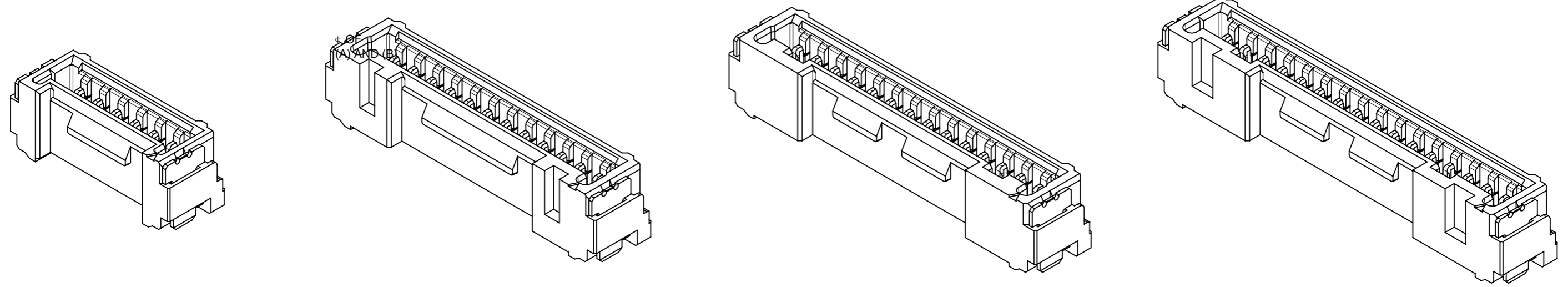
22.2	18.75	23.25	16
20.95	17.5	22	15
19.7	16.25	20.75	14
18.45	15	19.5	13
17.2	13.75	18.25	12
15.95	12.5	17	11
14.7	11.25	15.75	10
13.45	10	14.5	9
12.2	8.75	13.25	8
10.95	7.5	12	7
9.7	6.25	10.75	6
8.45	5	9.5	5
7.2	3.75	8.25	4
5.95	2.5	7	3
4.7	1.25	5.75	2
C	B	A	極数 CIRCUIT SIZE

番号 NO.	部品 PART	材質 MATERIAL
①	ハウジング HOUSING	ポリアミド(PA), ガラス充填, UL94 V-0, 色 : SHEET 5参照 POLYAMIDE (PA), GLASS FILLED, UL94 V-0, COLOR : SEE SHEET 5
②	ターミナル TERMINAL	黄銅 BRASS
		錫ビスマスめっき : 1.0 MICROMETER MINIMUM TIN-BISMUTH PLATING ニッケルめっき(下地全面) : 1.0 MICROMETER MINIMUM NICKEL (UNDER-PLATING OVERALL)
③	ネイル NAIL	黄銅 BRASS
		錫めっき : 1.0 MICROMETER MINIMUM MATTE TIN PLATING ニッケルめっき(下地全面) : 1.0 MICROMETER MINIMUM NICKEL (UNDER-PLATING OVERALL)
④	カバーテープ COVER TAPE	ポリイミド POLYIMIDE

THIS DRAWING CONTAINS INFORMATION THAT IS PROPRIETARY TO MOLEX ELECTRONIC TECHNOLOGIES, LLC AND SHOULD NOT BE USED WITHOUT WRITTEN PERMISSION

DIMENSION UNITS mm	SCALE NTS	CURRENT REV DESC:					
GENERAL TOLERANCES (UNLESS SPECIFIED)		EC NO: 736271					
ANGULAR TOL ± 3.0 °	4 PLACES ± 0.2	DRWN: SOKUMURA01	2022/12/27	PRODUCT CUSTOMER DRAWING			
3 PLACES ± 0.2	2 PLACES ± 0.2	CHK'D: SAKIYAMA	2023/02/16	DOCUMENT NUMBER			
2 PLACES ± 0.2	1 PLACE ± 0.2	APPR: AIDA	2023/02/16	DOC TYPE			
1 PLACE ± 0.2	0 PLACES ± 0.2	INITIAL REVISION:		DOC PART			
DRAFT WHERE APPLICABLE MUST REMAIN WITHIN DIMENSIONS		DRWN: RWATANABE01	2017/08/28	000			
THIRD ANGLE PROJECTION		APPR: TKANEKO	2017/09/26	D			
DRAWING		SERIES	MATERIAL NUMBER	CUSTOMER			
A3-SIZE		505568	SEE SHEET 5	GENERAL			
SHEET NUMBER		1 OF 5					

製品形状  
PRODUCT SHAPE



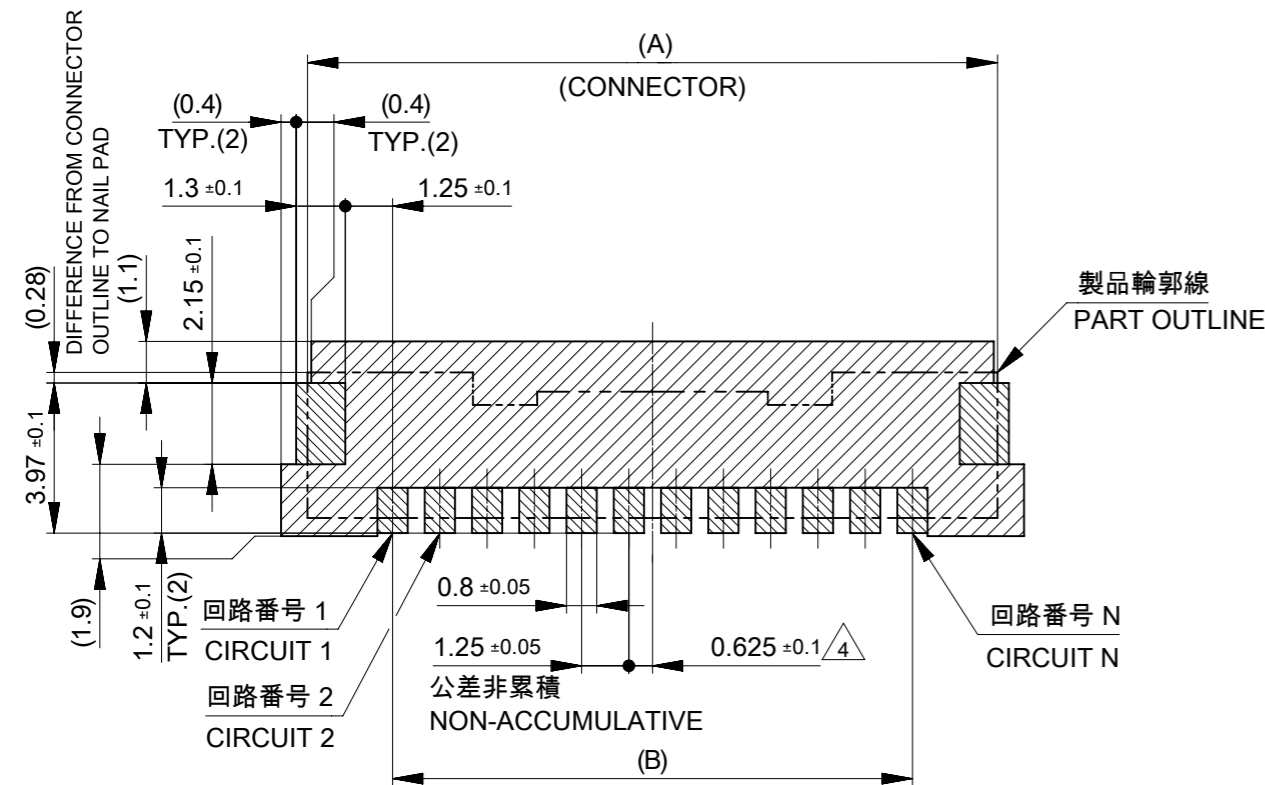
2-11極  
2-11 CIRCUIT

12-13極  
12-13 CIRCUIT

14極  
14 CIRCUIT

15-16 極  
15-16 CIRCUIT

基板パターンレイアウト  
PCB PATTERN LAYOUT

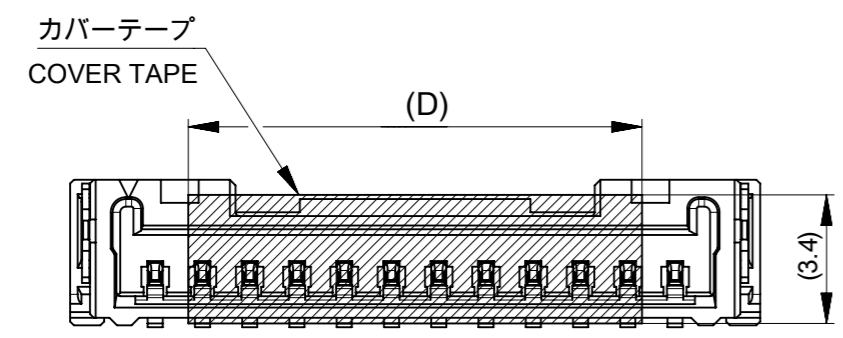


基板パターンレイアウト (参考)  
(参考: 基板厚 1.6mm, メタルマスク厚さ 0.15mm, マスク開口率 100%)  
RECOMMEND PCB LAYOUT : COMPONENT SIDE  
(REFERENCE : PCB THICKNESS 1.6mm, STENCIL THICKNESS 0.15mm, APERTURE RATIO 100%)

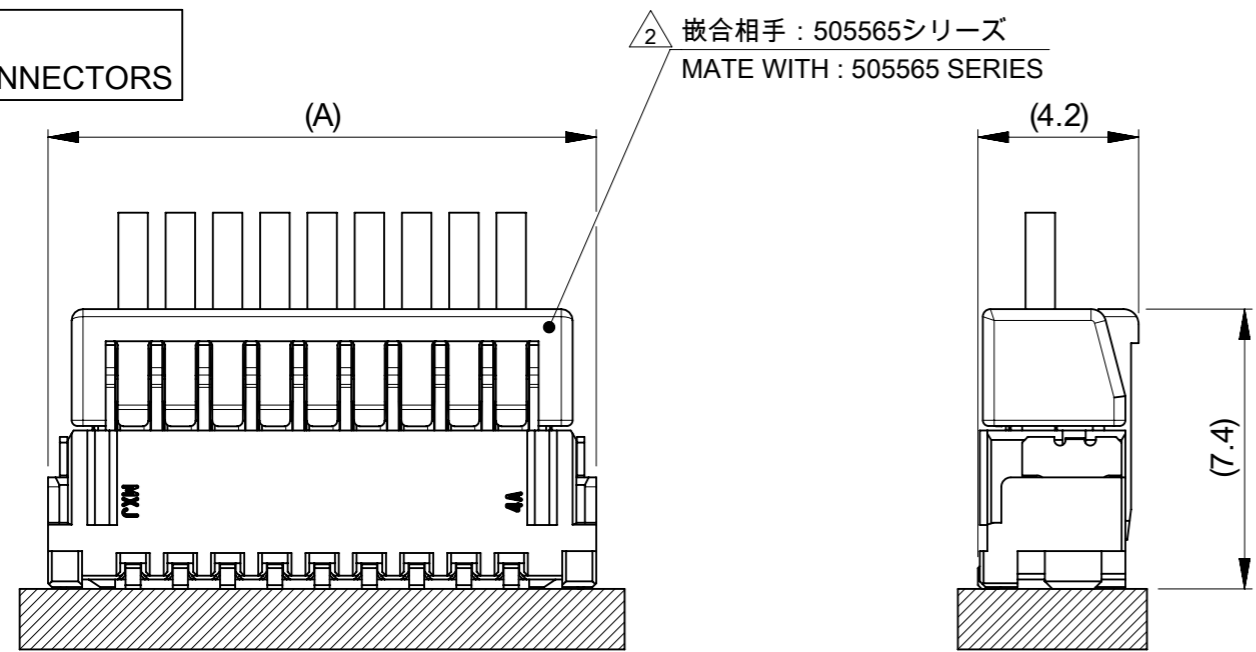
パターン非推奨エリア  
パターンを引き回す際は、製品機能に影響がないことをご確認ください。  
PATTERN IS NOT RECOMMENDED ON THE HATCHING AREA  
PLEASE CHECK NOT TO HAVE PROBLEM FOR PRODUCT FUNCTION  
WHEN SETTING PATTERN ON THE HATCHING AREA.

THIS DRAWING CONTAINS INFORMATION THAT IS PROPRIETARY TO MOLEX ELECTRONIC TECHNOLOGIES, LLC AND SHOULD NOT BE USED WITHOUT WRITTEN PERMISSION													
DIMENSION UNITS		SCALE		CURRENT REV DESC:									
mm		NTS		 MICRO-LOCK PLUS 1.25 W/B SINGLE ROW VERTICAL SMT PLUG ASSEMBLY TIN-BISMUTH PLATING PRODUCT CUSTOMER DRAWING									
GENERAL TOLERANCES (UNLESS SPECIFIED)													
ANGULAR TOL ± 3.0°													
4 PLACES ± 0.2		EC NO: 736271								2022/12/27		2023/02/16	
3 PLACES ± 0.2		DRWN: SOKUMURA01								2023/02/16		2023/02/16	
2 PLACES ± 0.2		CHK'D: SAKIYAMA								2023/02/16		2023/02/16	
1 PLACE ± 0.2		APPR: AIDA		INITIAL REVISION:		DOCUMENT NUMBER		DOC TYPE					
0 PLACES ± 0.2		DRWN: RWATANABE01		2017/08/28		5055680000-SD		PSD 000 D					
DRAFT WHERE APPLICABLE MUST REMAIN WITHIN DIMENSIONS		THIRD ANGLE PROJECTION		DRAWING		SERIES		MATERIAL NUMBER					
				A3-SIZE		505568		CUSTOMER					
						SEE SHEET 5		GENERAL					
								SHEET NUMBER					
								2 OF 5					

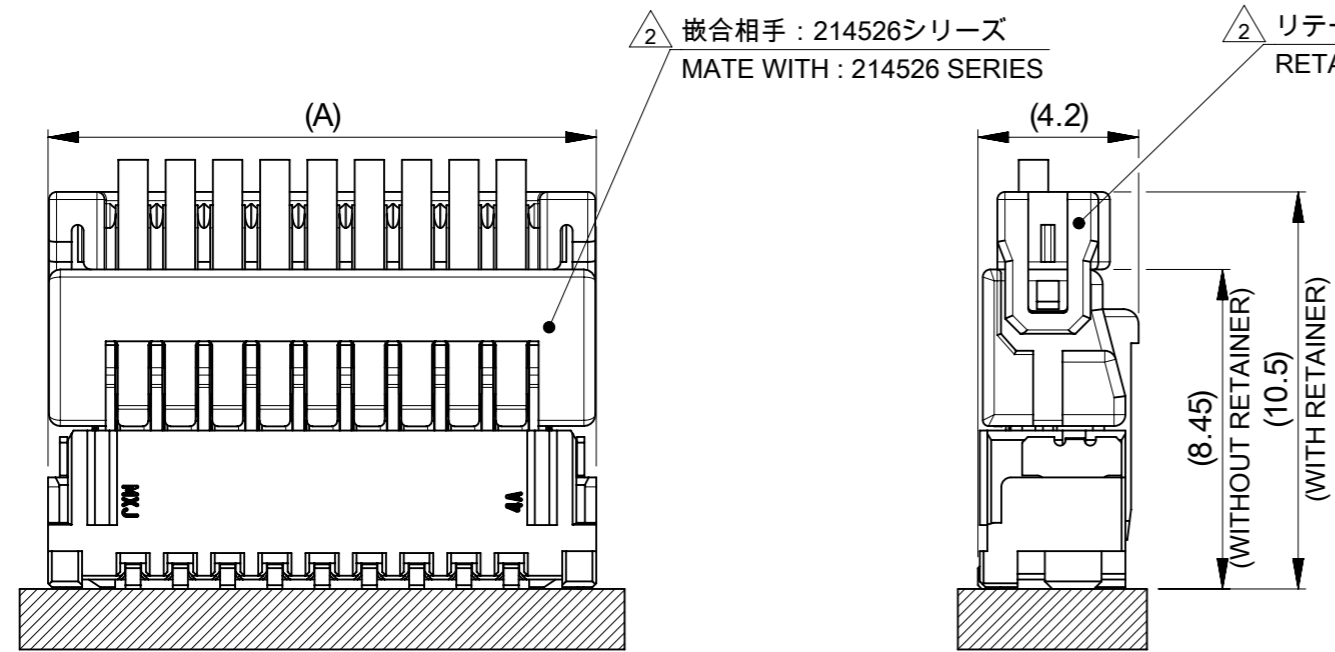
吸着エリア  
SUCTION AREA



嵌合状態図  
MATED CONNECTORS



2 嵌合相手 : 505565シリーズ  
MATE WITH : 505565 SERIES



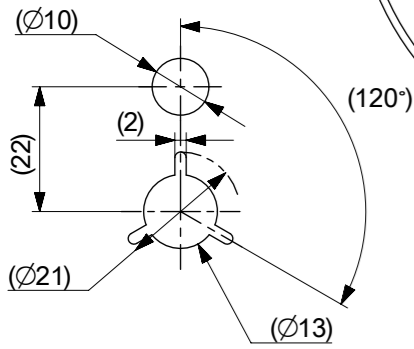
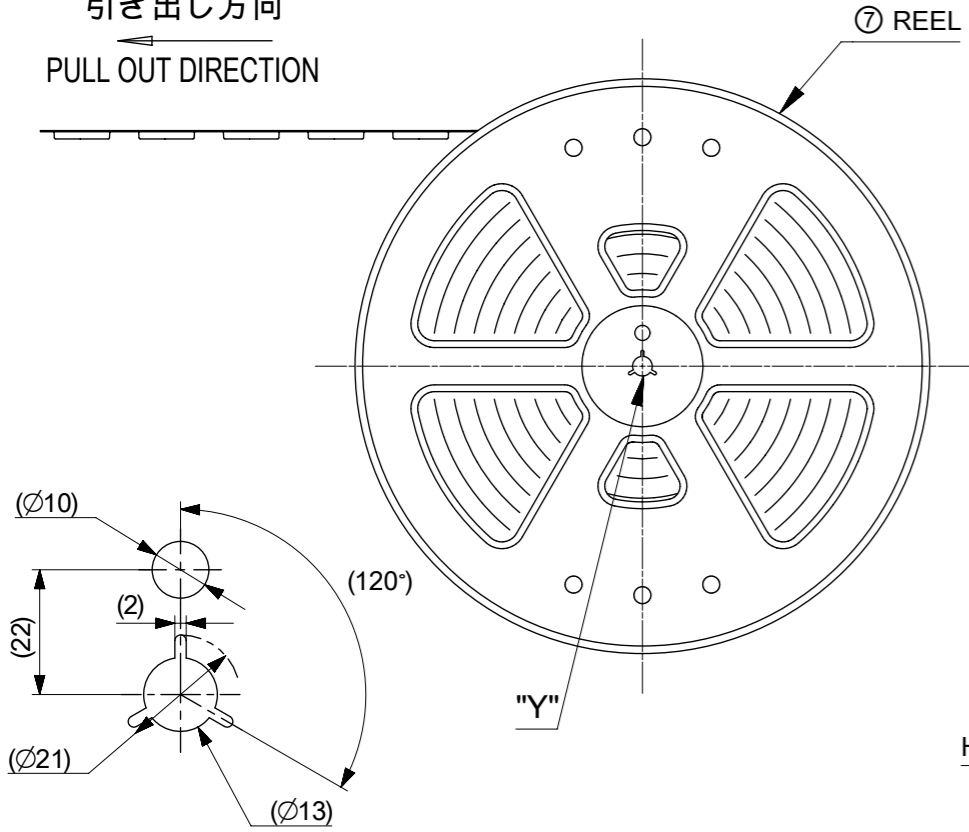
2 嵌合相手 : 214526シリーズ  
MATE WITH : 214526 SERIES

2 リテーナー : 214528シリーズ  
RETAINER : 214528 SERIES

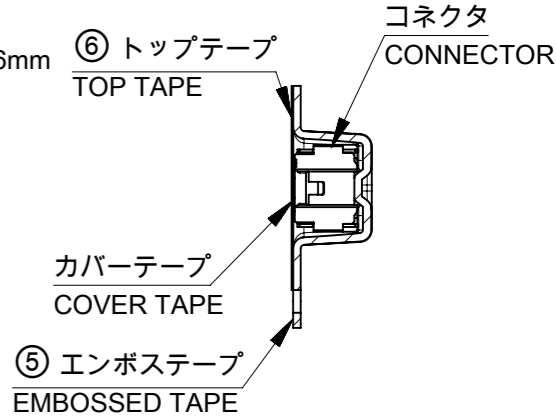
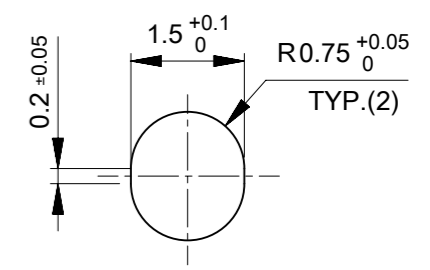
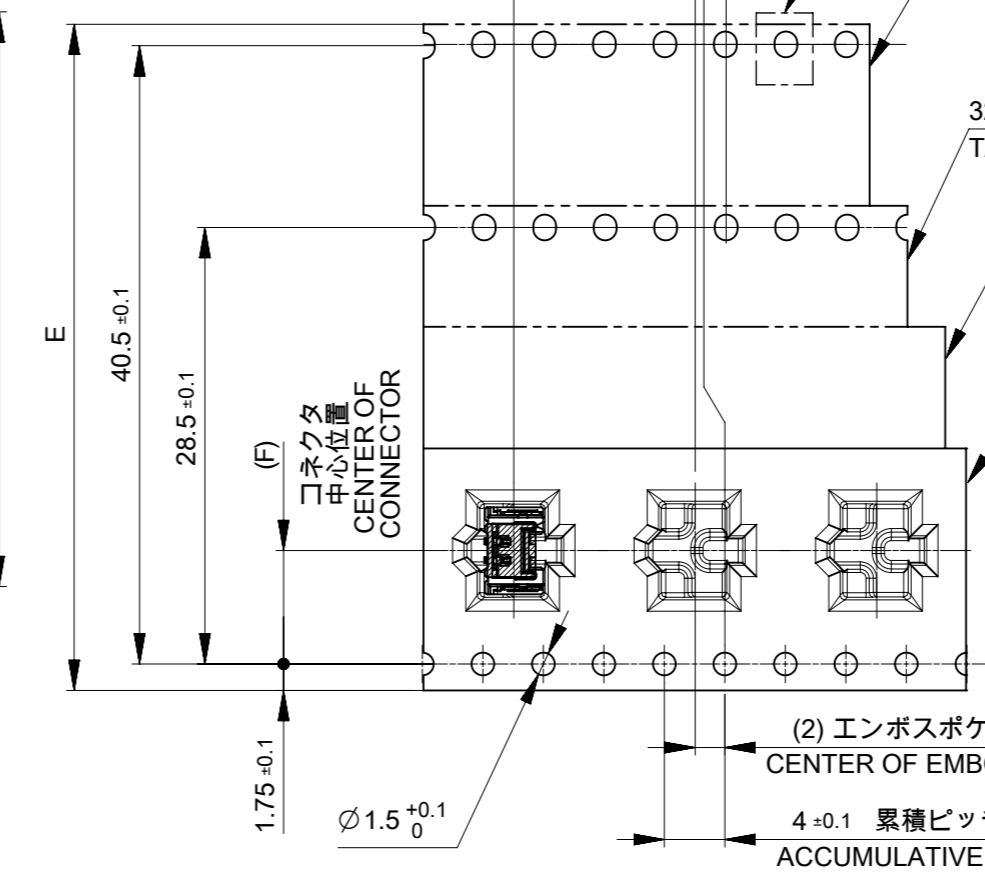
12	16
	15
	14
	13
	12
10	11
	10
	9
8	8
	7
	6
	5
7	4
	3
5	2
	極数 CIRCUIT SIZE

THIS DRAWING CONTAINS INFORMATION THAT IS PROPRIETARY TO MOLEX ELECTRONIC TECHNOLOGIES, LLC AND SHOULD NOT BE USED WITHOUT WRITTEN PERMISSION		CURRENT REV DESC:		<b>molex</b>			
DIMENSION UNITS	SCALE	EC NO: 736271					
mm	NTS	DRWN: SOKUMURA01 2022/12/27		MICRO-LOCK PLUS 1.25 W/B			
GENERAL TOLERANCES (UNLESS SPECIFIED)		CHK'D: SAKIYAMA 2023/02/16		SINGLE ROW VERTICAL SMT PLUG ASSEMBLY			
ANGULAR TOL	± 3.0 °	APPR: AIDA 2023/02/16		TIN-BISMUTH PLATING			
4 PLACES	± 0.2	INITIAL REVISION:		PRODUCT CUSTOMER DRAWING			
3 PLACES	± 0.2	DRWN: RWATANABE01 2017/08/28		DOCUMENT NUMBER	DOC TYPE		
2 PLACES	± 0.2	APPR: TKANEKO 2017/09/26		5055680000-SD	PSD		
1 PLACE	± 0.2			DOC PART	000		
0 PLACES	± 0.2			REVISION	D		
DRAFT WHERE APPLICABLE MUST REMAIN WITHIN DIMENSIONS		THIRD ANGLE PROJECTION	DRAWING	SERIES	MATERIAL NUMBER	CUSTOMER	SHEET NUMBER
			A3-SIZE	505568	SEE SHEET 5	GENERAL	3 OF 5

引き出し方向  
PULL OUT DIRECTION

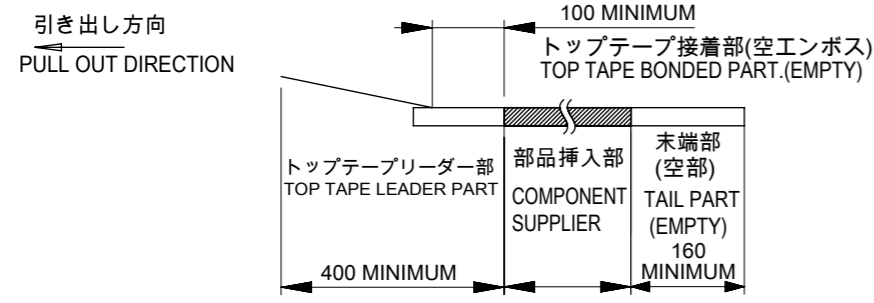


引き出し方向  
PULL OUT DIRECTION



注記 NOTE

- 6. 梱包数量 : 1200個 / リール  
NUMBER OF CONNECTORS : 1200 PCS/REEL.
- 7. リードテープ長さ  
LEAD TAPE LENGTH.



- 8. トップテープの剥離強度はIEC60286-3に準拠  
TOP TAPE PEELING FORCE IS DEFINED BY IEC60286-3

TABLE 2

番号 NO.	部品 PART	材質 MATERIAL
⑤	エンボステープ EMBOSSSED TAPE	ポリスチレン(PS) POLYSTYRENE(PS)
⑥	トップテープ TOP TAPE	ポリエチレン(PE), その他 POLYETHYLENE(PE), ETC
⑦	リール REEL	ポリスチレン(PS) <リサイクル材を含む> POLYSTYRENE(PS) <RECYCLE MATERIAL CONTAINED >

極数 CIRCUIT SIZE	E	F	G	H
16	44±0.3	20.2	45.4	49.4
15				
14				
13				
12	32±0.3	14.2	33.4	37.4
11				
10				
9				
8				
7	24 <sup>+0.3</sup> <sub>-0.1</sub>	11.5	25.4	29.4
6				
5				
4				
3	16 <sup>+0.3</sup> <sub>-0.1</sub>	7.5	17.4	21.4
2				

THIS DRAWING CONTAINS INFORMATION THAT IS PROPRIETARY TO MOLEX ELECTRONIC TECHNOLOGIES, LLC AND SHOULD NOT BE USED WITHOUT WRITTEN PERMISSION

mm NTS

GENERAL TOLERANCES (UNLESS SPECIFIED)

ANGULAR TOL ± 3.0 °

4 PLACES ± 0.2

3 PLACES ± 0.2

2 PLACES ± 0.2

1 PLACE ± 0.2

0 PLACES ± 0.2

DRAFT WHERE APPLICABLE MUST REMAIN WITHIN DIMENSIONS

THIRD ANGLE PROJECTION

DRAWING A3-SIZE

SERIES 505568

MATERIAL NUMBER SEE SHEET 5

CUSTOMER GENERAL

SHEET NUMBER 4 OF 5

CURRENT REV DESC:

EC NO: 736271

DRWN: SOKUMURA01 2022/12/27

CHK'D: SAKIYAMA 2023/02/16

APPR: AIDA 2023/02/16

INITIAL REVISION:

DRWN: RWATANABE01 2017/08/28

APPR: TKANEKO 2017/09/26

DOCUMENT NUMBER 5055680000-SD

DOC TYPE PSD

DOC PART 000

REVISION D

**molex**

MICRO-LOCK PLUS 1.25 W/B  
SINGLE ROW VERTICAL SMT PLUG ASSEMBLY  
TIN-BISMUTH PLATING

PRODUCT CUSTOMER DRAWING

△ 2 適合製品及び各種仕様書 APPLICABLE PRODUCTS AND VARIOUS SPECIFICATIONS

梱包仕様書 PACKAGING SPECIFICATION		5055689200 PS 200	
適合嵌合相手 MATE WITH	シリーズ番号 SERIES NUMBER	505565	214526
	リテーナー対応 RETAINER APPLICABLE	NOT COMPLIANT	COMPLIANT (NATURAL, BLACK, RED, YELLOW, BLUE)
適合リテーナーシリーズ番号 APPLICABLE RETAINER SERIES NUMBER		-	214528
製品仕様書 PRODUCT SPECIFICATION		5055650000 PS 000	2145260000-PS PS 000
コネクタ取扱説明書 APPLICATION SPECIFICATION		5055650000-AS PS 000	

△ 5 505568\*\*7\* 発注番号一覧 ORDER NUMBER LIST

ORANGE	GREEN	BLUE	YELLOW	RED	BLACK	NATURAL (BEIGE)	HOUSING COLOR
5055681678	5055681676	5055681674	5055681673	5055681672	5055681671	5055681670	16
5055681578	5055681576	5055681574	5055681573	5055681572	5055681571	5055681570	15
5055681478	5055681476	5055681474	5055681473	5055681472	5055681471	5055681470	14
5055681378	5055681376	5055681374	5055681373	5055681372	5055681371	5055681370	13
5055681278	5055681276	5055681274	5055681273	5055681272	5055681271	5055681270	12
5055681178	5055681176	5055681174	5055681173	5055681172	5055681171	5055681170	11
5055681078	5055681076	5055681074	5055681073	5055681072	5055681071	5055681070	10
5055680978	5055680976	5055680974	5055680973	5055680972	5055680971	5055680970	9
5055680878	5055680876	5055680874	5055680873	5055680872	5055680871	5055680870	8
5055680778	5055680776	5055680774	5055680773	5055680772	5055680771	5055680770	7
5055680678	5055680676	5055680674	5055680673	5055680672	5055680671	5055680670	6
5055680578	5055680576	5055680574	5055680573	5055680572	5055680571	5055680570	5
5055680478	5055680476	5055680474	5055680473	5055680472	5055680471	5055680470	4
5055680378	5055680376	5055680374	5055680373	5055680372	5055680371	5055680370	3
5055680278	5055680276	5055680274	5055680273	5055680272	5055680271	5055680270	2
発注番号 : ORDER NUMBER							極数 CIRCUIT SIZE
エンボステープ梱包 PACKAGING STYLE: EMBOSSED TAPE AND REEL							

THIS DRAWING CONTAINS INFORMATION THAT IS PROPRIETARY TO MOLEX ELECTRONIC TECHNOLOGIES, LLC AND SHOULD NOT BE USED WITHOUT WRITTEN PERMISSION		CURRENT REV DESC:		<b>molex</b>	
DIMENSION UNITS	SCALE				
mm	NTS			MICRO-LOCK PLUS 1.25 W/B SINGLE ROW VERTICAL SMT PLUG ASSEMBLY TIN-BISMUTH PLATING	
GENERAL TOLERANCES (UNLESS SPECIFIED)				PRODUCT CUSTOMER DRAWING	
ANGULAR TOL	± 3.0 °			DOCUMENT NUMBER	
4 PLACES	± 0.2	EC NO: 736271		5055680000-SD	
3 PLACES	± 0.2	DRWN: SOKUMURA01 2022/12/27		DOC TYPE	DOC PART
2 PLACES	± 0.2	CHK'D: SAKIYAMA 2023/02/16		PSD	000
1 PLACE	± 0.2	APPR: AIDA 2023/02/16		REVISION	D
0 PLACES	± 0.2	INITIAL REVISION:			
DRAFT WHERE APPLICABLE MUST REMAIN WITHIN DIMENSIONS		THIRD ANGLE PROJECTION	DRAWING	SERIES	MATERIAL NUMBER
			A3-SIZE	505568	SEE SHEET 5
				CUSTOMER	SHEET NUMBER
				GENERAL	5 OF 5