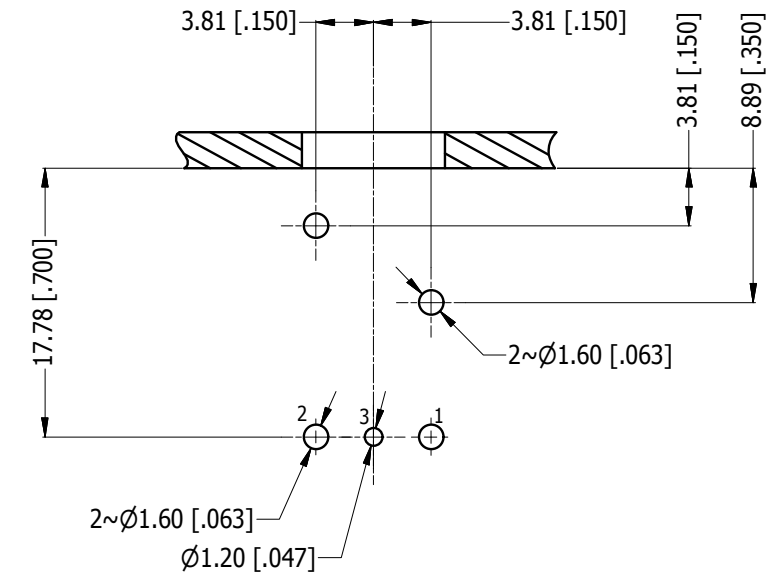
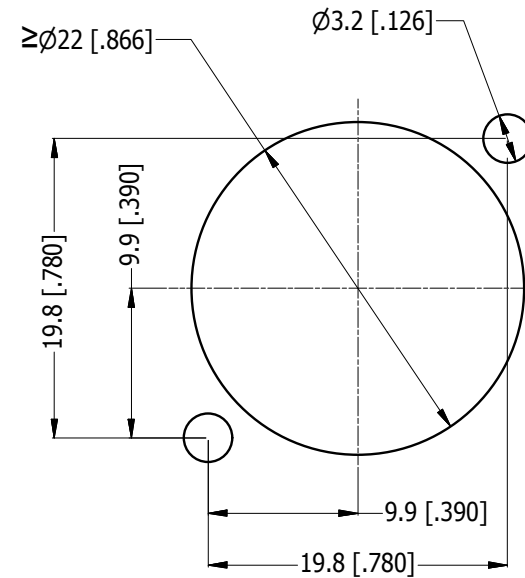
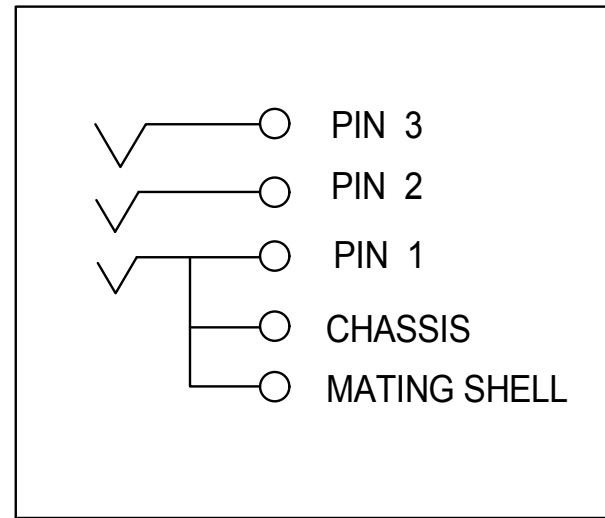
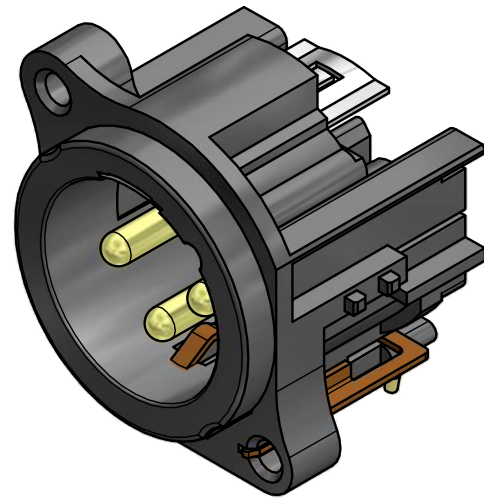
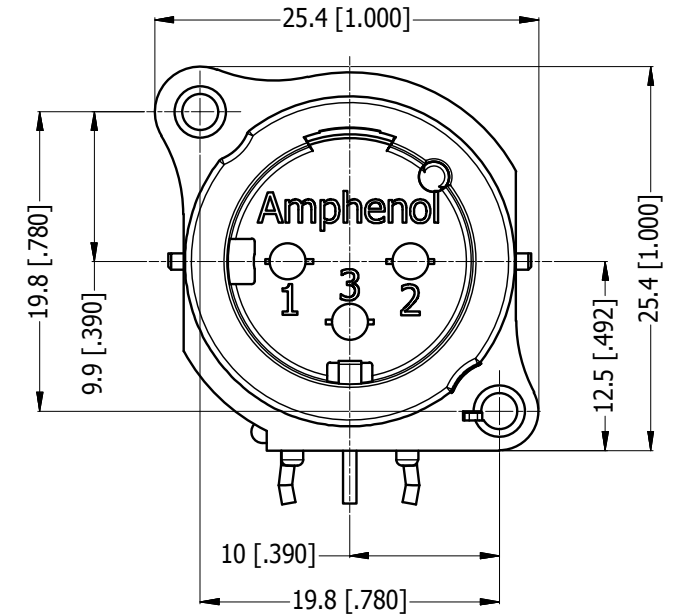
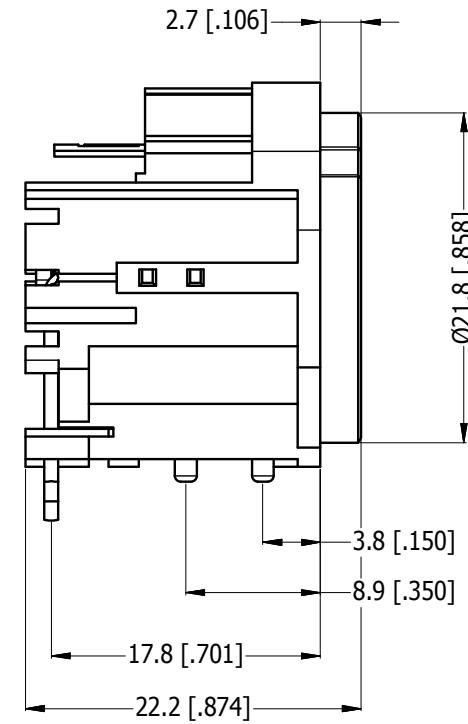
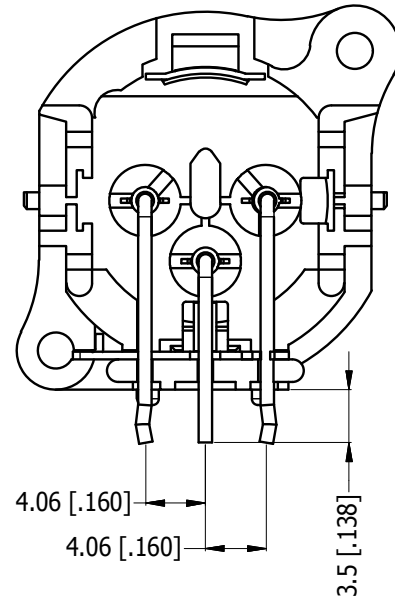
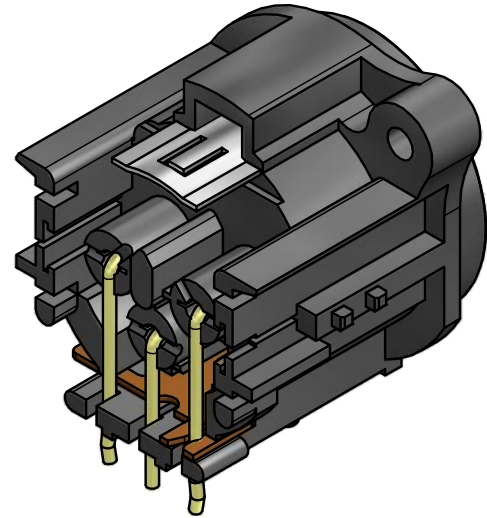


LEGEND = KEY PRODUCT CHARACTERISTICS



REVISION HISTORY				
REV	DESCRIPTION	DATE	BY	CHG/No
0	FIRST ISSUE	28/07/14	MH	---
1	UPDATED DIMENSION TO ACTUAL PART	14/08/15	MH	----

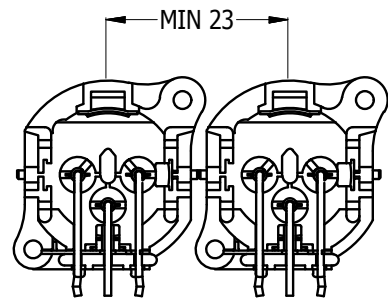


<VIEW>
SCALE 1:1

SCHMATIC CHART

PANEL CUT OUT
REAR VIEW

PCB-LAYOUT
COMPONENT SIDE
TOLERANCE: ± 0.05mm [.002"]



MIN MOUNTING PITCH
SCALE 1:1

UNLESS OTHERWISE SPECIFIED TOLERANCE TO BE		THIS DOCUMENT IS THE PROPERTY OF AMPHENOL AUSTRALIA PTY. LTD. NO PART THEREOF MAY BE REPRODUCED AND USED WITHOUT THE PRIOR WRITTEN CONSENT OF THE OWNER				Amphenol Amphenol Australia Pty.Ltd, 22 Industry Blvd, Carrum Downs, VIC 3201	
LINEAR		ANGULAR		MATERIAL: REFER TO COMPONENT	DRN: A.O	DATE: 28/07/14	TITLE: AC3MAH1-AU-PRE HORIZONTAL MALE CUSTOMER DRAWING
X ±0.5	X' ±1			CKD: M.H	DATE: 14/08/15	PART No: AC3MAH1-AU-PRE	
X.X ±0.1	X.X' ±30'			APP'D: P.M	DATE: 14/08/15	DRAWING NO. 55011023-000-2	SHEET 2/2
X.XX ±0.05	X.XX" ±15'			SCALE: 2:1		SIZE: A3	CAD FILE 55011023000211
DO NOT SCALE		FINISH: REFER TO COMPONENT		DIMENSIONS IN MILLIMETRES		THIRD ANGLE PROJECTION	