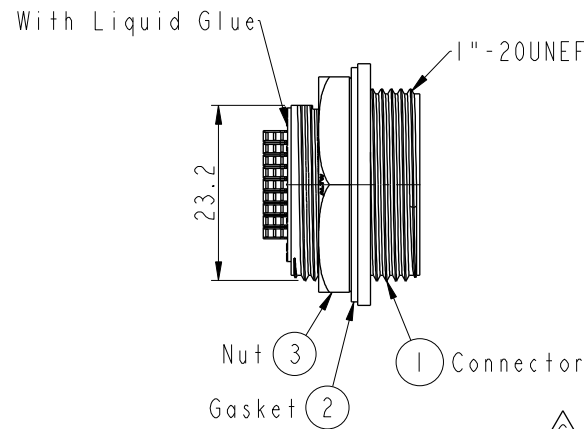
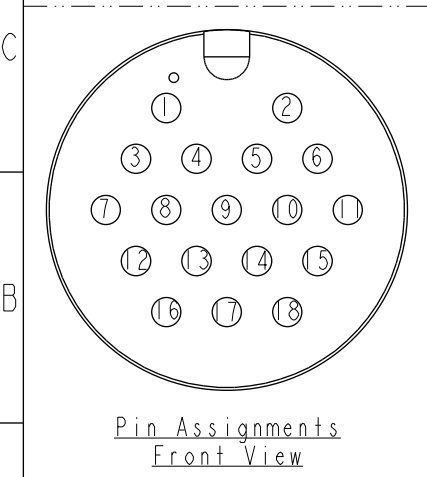
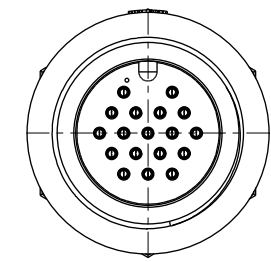
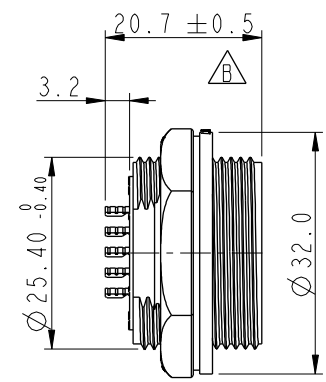
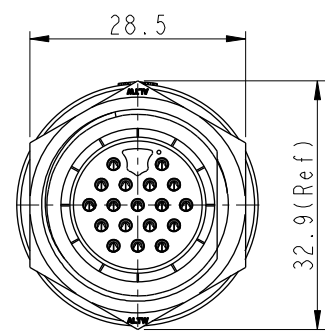
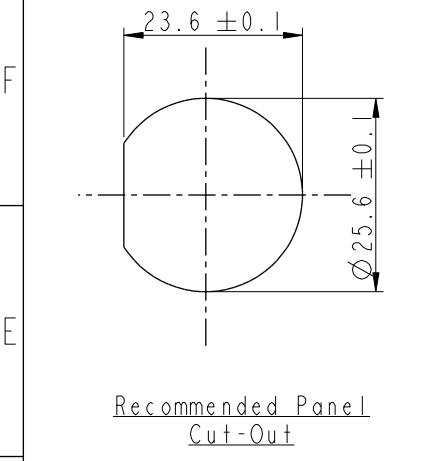


THIS DOCUMENT IS SUBJECT TO CHANGE WITHOUT NOTICE. IT IS CONFIDENTIAL AND A PROPERTY OF Amphenol LTW. DISCLOSURE TO THIRD PARTY HAS TO BE AUTHORIZED BY Amphenol LTW.

REV.	ECN NO.	DATE	SIGN	DESCRIPTION
B	LEN1830055	2018/02/26	Lingpeng	Change The Design
C	CI90347	2019/03/12	Vicky	Change Note



A L T W  
CONFIDENTIAL  
2019-03-12  
R&D DEPT.

- Note:**
- \* (C) Important Dimension To Check.
  - \* Waterproof Rate: IP67, Unmated.
  - \* Housing: Thermoplastic, Black.
  - \* Pin: Copper Alloy, Gold Plated.
  - \* Nut: Thermoplastic, Black.
  - \* Gasket: Rubber, Gray.
  - \* Maximum Panel Thickness: 3.0mm
  - \* Gasket and Nut are packed separately in PE bags. (Gasket/Nut不組裝, 散裝出貨)

UNIT:mm TOLERANCE ±0.5mm	TITLE LARGE PANEL SCREW 18P M CONN M PIN		Amphenol LTW 安費諾亮泰企業股份有限公司		ITEM NO ADD-18RMMS-SC7001	DRAWN BY Vicky	DATE 2019-03-12		
	SCALE 1:1	SIZE A4			SHEET 1	OF 1	DWG NO ADD-18RMMS-SC7001	CHECKED BY Rita	DATE 2019-03-12
	REV. C	WC-REV. A.1			QC: Inspection item		CUSTOMER ALTW	APPROVED BY Max	DATE 2019-03-12
	W10814-03-01A2								