



ANATECH ELECTRONICS INC
RF & Microwave Filters & Products

960 MHz LC Band Pass Filter

Part Number: AE960B6179



Electrical Specifications

Center Frequency: 960 MHz
Bandwidth: 20 MHz Min.
Insertion Loss: 3.0dB Max.
Return Loss: 14dB Min.
Ripple: 0.5dB
Rejection: $\geq 60\text{dB}$ @ 840 MHz
Rejection2: $\geq 60\text{dB}$ @ 1080 MHz

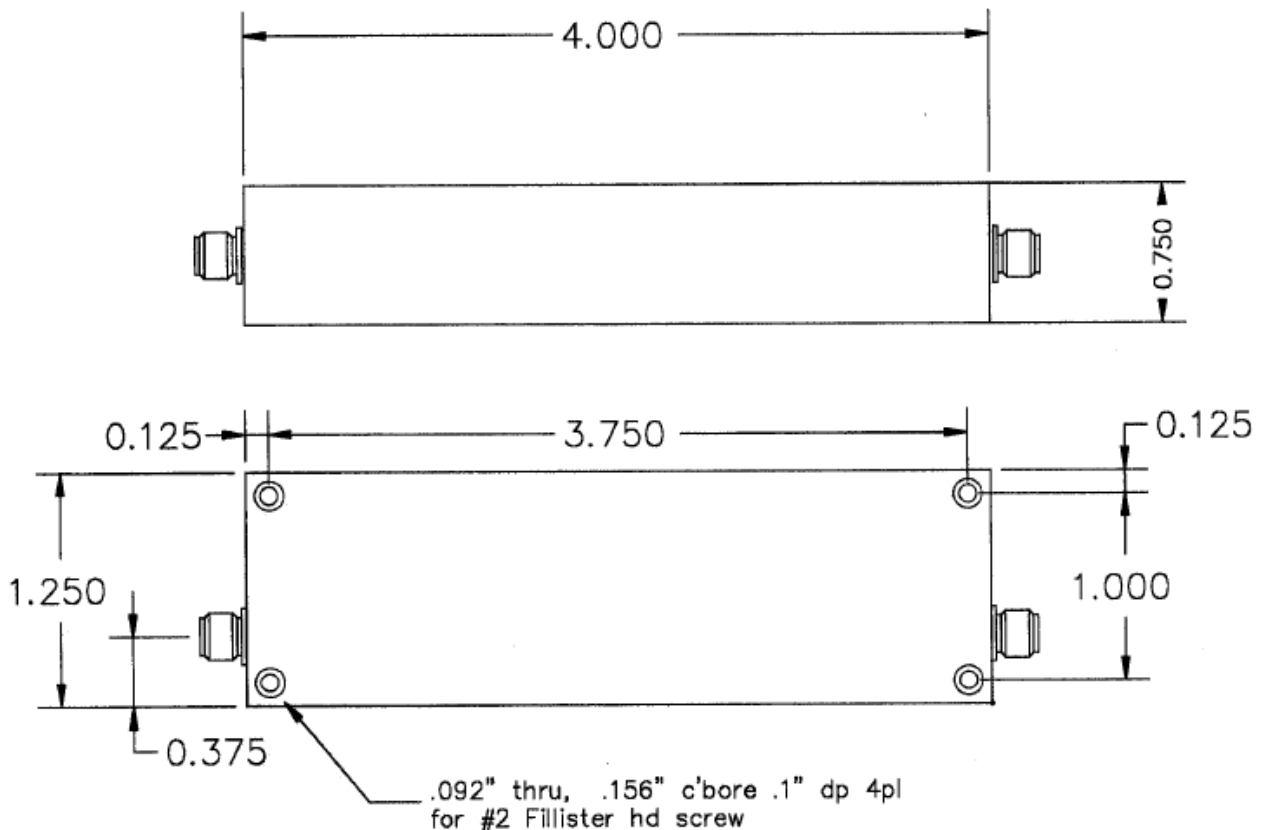
Mechanical

Mounting Method: Through Holes
Connector Type: SMA(F)
Dimensions: 4.0" X 1.25" x 0.75"

Environmental

Operating Temperature: -25°C to +70°C
Storage Temperature: -40°C to +90°C
Shock: 10 G. 11ms
Vibration: 10 G. 5 to 200Hz

Outline Drawing:





Response Plot:

