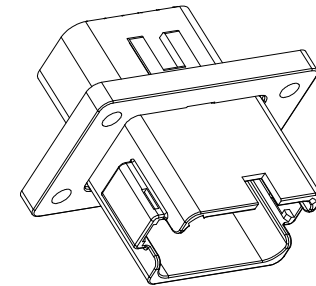
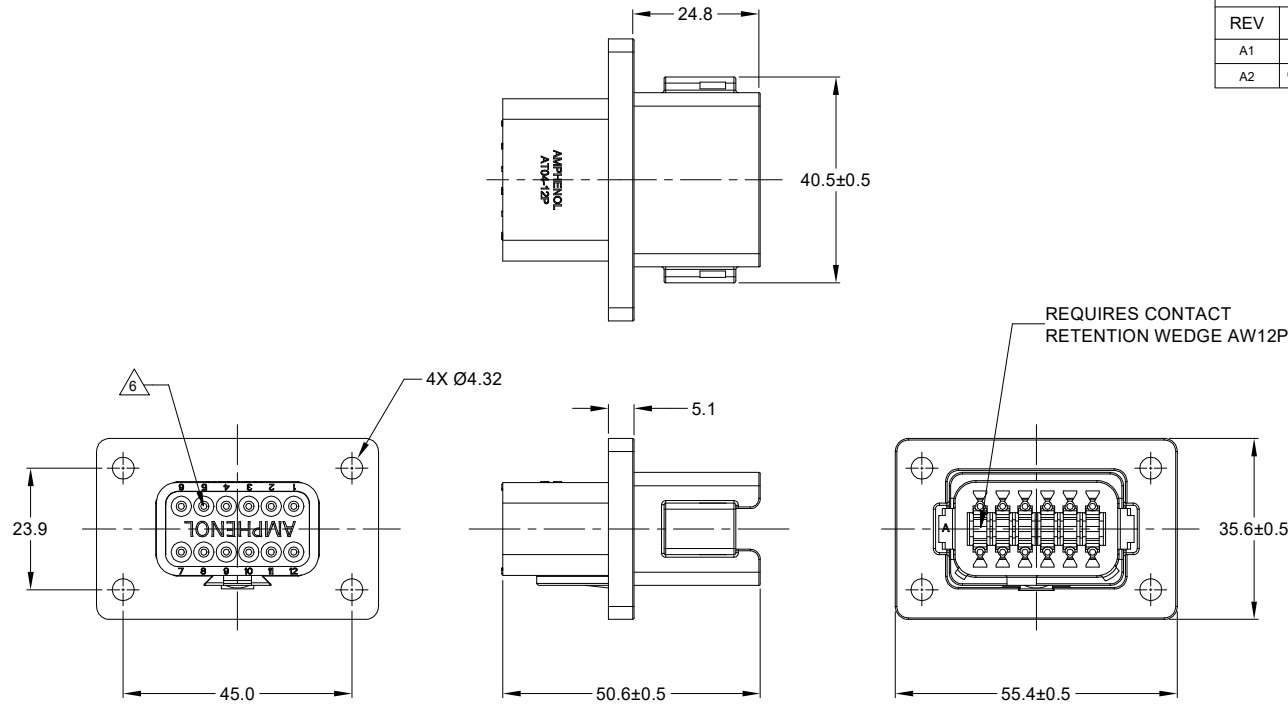


| REVISIONS | | | | | |
|-----------|--------|-----------------------|-----------|-------|-------|
| REV | ECO | DESCRIPTION | DATE | BY | APPR |
| A1 | - | RELEASE NUMBER | 30/NOV/18 | BROOK | TOMMY |
| A2 | C1403S | UPDATE THE APPEARANCE | 16/NOV/21 | LOUIE | TOMMY |



NOTES: UNLESS OTHERWISE SPECIFIED

- COLOR: BLACK
- MATERIAL:
HOUSING: THERMOPLASTIC
SEAL: SILICONE RUBBER
- MODIFICATIONS: FLANGE
- SPECIFICATIONS:
 - CURRENT RATING: 13 AMPS
 - OPERATING TEMPERATURE: -55°C TO +125°C.
 - DIELECTRIC WITHSTANDING VOLTAGE: LESS THAN 2 MILLIAMPS CURRENT LEAKAGE @ 1500 VOLTS AC.
 - INSULATION RESISTANCE: 1000 MEGOHMS MIN @ 25°C.
 - MOISTURE RESISTANCE: IP69K&IP68 (1M OF WATER FOR A PERIOD OF 24 HOURS, MATED CONDITION)
 - MATING CYCLE DURABILITY: 100 CYCLES
 - RoHS COMPLIANT
- MATING PART: AT06-12SA* PLUG.
(* = MODIFICATIONS AND COLORS)
- ALL DIMENSIONS ARE FOR REFERENCE USE ONLY.

CONTACT SIZE AND REAR SEAL WIRE RANGE:

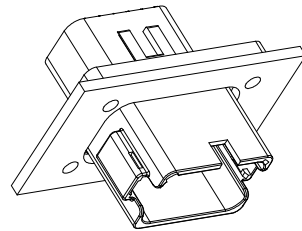
| CONTACT SIZE | MIN. INSUL O.D. | MAX. INSUL O.D. | TYPICAL WIRE RANGE |
|--------------|-------------------|-------------------|--------------------|
| 16 | 2.24 mm (.088 in) | 3.68 mm (.145 in) | 14 - 20 AWG |

| AT04-12PA-BL08 | | DESCRIPTION | | ITEM |
|--|-------------|-----------------|------------------------|--|
| QUANTITY | PART NUMBER | MATERIALS LIST | | |
| UNLESS OTHERWISE SPECIFIED | | | | |
| 1) All dimensions are in metric(mm). | | | | |
| 2) Tolerances are as follows: | | | | |
| 1 PL DEC ±0.30 Fractions ±1/64 | | | | |
| 2 PL DEC ±0.15 Angles ±1° | | | | |
| 3) Note reference = | | | | |
| MATERIAL SPECIFICATIONS: | | SIGNATURES | DATE | Sine Systems - www.amphenol-sine.com 44724 Morley Drive Clinton Township, MI 48036 |
| WEIGHT:g | | DRAWN: LOUIE | 16/NOV/21 | |
| PROCESS SPECIFICATIONS: | | CHECKED: ORION | 17/NOV/21 | |
| NEXT ASSY: | | ENGINEER: | | |
| | | APPROVAL: TOMMY | 18/NOV/21 | |
| | | CUSTOMER: | | |
| THIS DRAWING IS SUPPLIED FOR INFORMATION ONLY. DESIGN FEATURES, SPECIFICATIONS AND PERFORMANCE DATA SHOWN HEREON ARE THE PROPERTY OF THE AMPHENOL CORPORATION. NO RIGHTS OF REPRODUCTION ARE IMPLIED. ALL DIMENSIONS ARE SUBJECT TO NORMAL MANUFACTURING VARIATIONS. | | | | SCALE: NONE SHEET 1 OF 2 |
| | | SIZE: B C- | DWG NO: AT04-12PA-BL08 | REVISION: A2 |

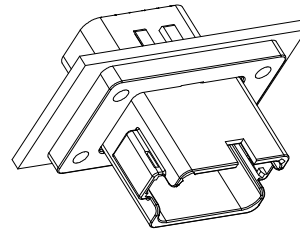
TITLE: 12PA RECEPTACLE FLANGE MOUNT ENHANCE KEY, BLACK
 DWG NO.: AT04-12PA-BL08
 REV: A2
 SH: 1
 OF: 2

| REVISIONS | | | | | |
|-----------|--------|-----------------------|-----------|-------|-------|
| REV | ECO | DESCRIPTION | DATE | BY | APPR |
| A1 | - | RELEASE NUMBER | 30/NOV/18 | BROOK | TOMMY |
| A2 | C1403S | UPDATE THE APPEARANCE | 16/NOV/21 | LOUIE | TOMMY |

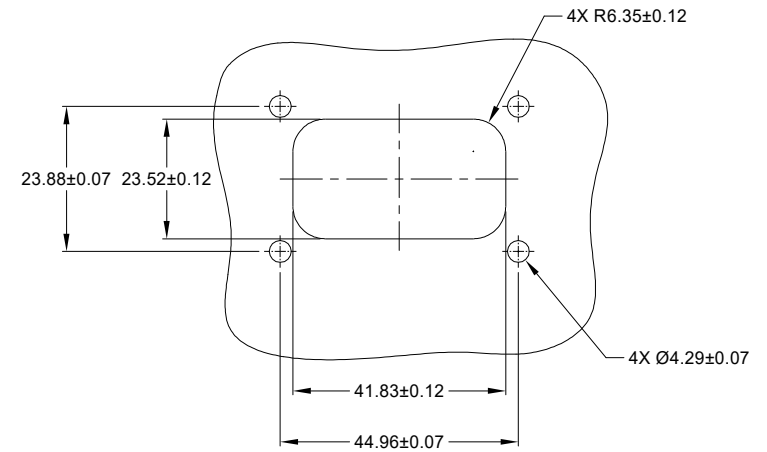
FOR REFERENCE ONLY



FRONT MOUNT



REAR MOUNT



RECOMMENDED CUTOUT
FRONT AND REAR MOUNT

| | | | | |
|---|--|--|--|---|
| AT04-12PA-BL08 | | DESCRIPTION | | ITEM |
| PART NUMBER | | | | |
| QUANTITY | | | | |
| MATERIALS LIST | | | | |
| UNLESS OTHERWISE SPECIFIED 1) All dimensions are in metric(mm). 2) Tolerances are as follows: 1 PL DEC ±0.30 Fractions ±1/64 2 PL DEC ±0.15 Angles ±1° 3 PL DEC ±0.08 | | | | |
| SIGNATURES | | DATE | | |
| DRAWN: LOUIE | | 16/NOV/21 | | |
| CHECKED: ORION | | 17/NOV/21 | | |
| ENGINEER: | | | | |
| APPROVAL: TOMMY | | 18/NOV/21 | | |
| CUSTOMER: | | | | |
| WEIGHT:g | | THIS DRAWING IS SUPPLIED FOR INFORMATION ONLY. DESIGN FEATURES, SPECIFICATIONS AND PERFORMANCE DATA SHOWN HEREON ARE THE PROPERTY OF THE AMPHENOL CORPORATION. NO RIGHTS OF REPRODUCTION ARE IMPLIED. ALL DIMENSIONS ARE SUBJECT TO NORMAL MANUFACTURING VARIATIONS. | | |
| PROCESS SPECIFICATIONS: | | SCALE: NONE | | |
| NEXT ASSY: | | SHEET 2 OF 2 | | |
| | | Amphenol Sine Systems - www.amphenol-sine.com 44724 Morley Drive Clinton Township, MI 48036 | | SIZE: B C- TYPE: AT04-12PA-BL08 DWG NO: A2 REVISION: |

TITLE: 12PA RECEPTACLE FLANGE MOUNT ENHANCE KEY, BLACK
 DWG NO: AT04-12PA-BL08
 REV: A2
 SH: 2
 OF: 2