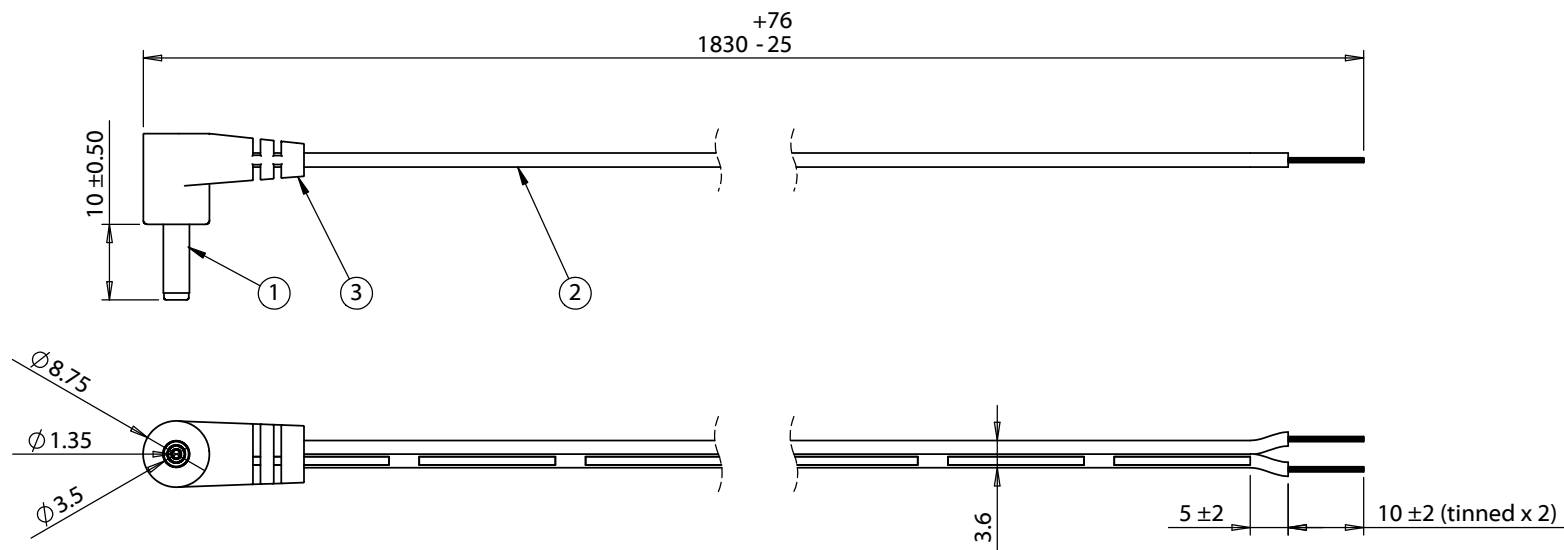


ITEM NO.	PART NUMBER	DESCRIPTION	QTY.	COMPONENT NOTES
1	50-00112	Connector, dc plug, 3.5x1.35xL18.5 mm, brass nickel plated	1	
2	30-00003	Wire, 2C BC, 24 AWG, UL2468, 300V, 80C, 3.6 mm, VW-1, PVC, 76A	1	
3	24-00049	Overmold, PVC, black	1	



**Notes:**

Electical requirement: 500 mA, 36 Vdc

Hi-Pot test: 600 Vac, 0.5 mA, 1 second

Wiring Diagram	
50-00112	wire color
center	black with stripe
sleeve	black

Revision:	Date:	Description:	Prepared:	Notes:	<h1>TENSILITY</h1> <p>tel 1.541.323.3228 800 877.670.7118 fax 1.541.323.4202 web tensility.com</p>				
A	1/19/2009	Re-issue CUI spec as Tensility	GL 2016.03.15 17:09:13 -07'00'	RoHS compliant					
A1	8/31/2011	Updated description, connector, and wire information	Verified: LA <small>Digitally signed by LA DN: cn=LA, o=Tensility c=US, email=LA@Tensility.com, c=US Date: 2016.05.05 16:08:38 -07'00'</small>	Function test: no open, no short circuit, no intermittent					
A2	6/18/2012	Updated connector description	Dimensions are in millimeters. Tolerances: X: ± 0.5 mm X.X: ± 0.3 mm X.XX: ± 0.05 mm	Description: Cable, 1830 mm, 3.5x1.35x10 mm, 90° 50-00112 dc plug to stripped tinned, 24 AWG, 30-00003 wire					
					<table border="1"> <tr> <td>Size:</td> <td>Part number:</td> </tr> <tr> <td>A</td> <td>053-0196R (CA-2197)</td> </tr> </table>	Size:	Part number:	A	053-0196R (CA-2197)
Size:	Part number:								
A	053-0196R (CA-2197)								
					<table border="1"> <tr> <td>Scale:</td> <td>1:1</td> <td></td> <td>Sheet 1 of 1</td> </tr> </table>	Scale:	1:1		Sheet 1 of 1
Scale:	1:1		Sheet 1 of 1						