

# Customer Information Sheet

DRAWING No.: D2899-42

SHEET 2 OF 2

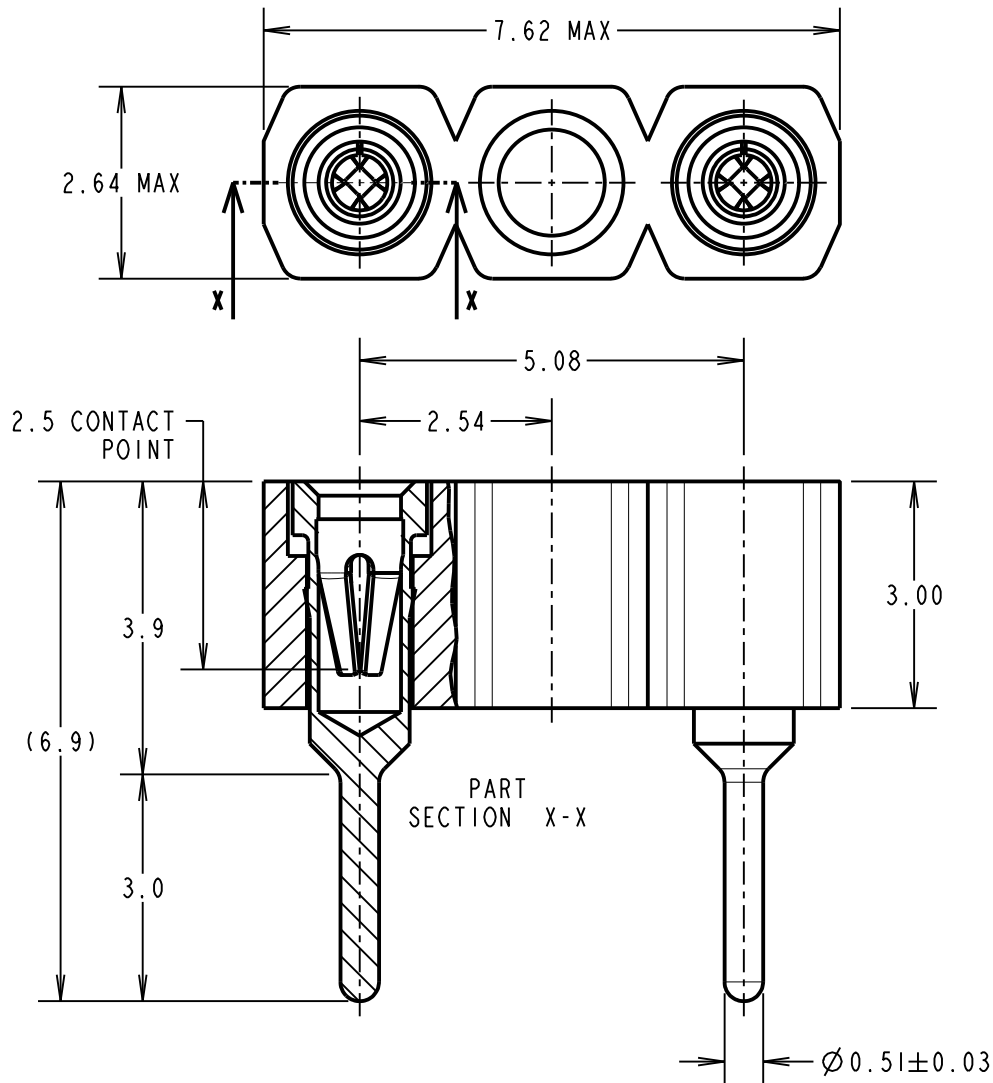
IF IN DOUBT - ASK

(C)

NOT TO SCALE

THIRD ANGLE PROJECTION

ALL DIMENSIONS IN mm



**SPECIFICATION:**

**MATERIAL:**

MOULDING = GLASS-FILLED POLYAMIDE 46 BLACK, UL94V-0

CONTACT SHELL = BRASS

CONTACT CLIP = BERYLLIUM COPPER

**FINISH:**

CONTACT SHELL = 5.0µ 100% TIN

CONTACT CLIP = GOLD FLASH

**ELECTRICAL:**

CURRENT RATING AT 25°C = 1.5A MAX

CURRENT RATING AT 85°C = 0.25A MAX

CONTACT RESISTANCE (INITIAL) = 15 MILLIOHMS MAX

CONTACT RESISTANCE (AFTER CONDITIONING) = 23 MILLIOHMS MAX

INSULATION RESISTANCE (INITIAL) = 1,000 MEGOHMS MIN

INSULATION RESISTANCE (AFTER CONDITIONING) = 100 MEGOHMS MIN

**MECHANICAL:**

INSERTION FORCE (Ø0.46mm GAUGE) = 5N MAX

WITHDRAWAL FORCE (Ø0.46mm GAUGE) = 0.5N MIN

DURABILITY = 1,000 OPERATIONS

**ENVIRONMENTAL:**

OPERATING TEMPERATURE = -55°C TO +125°C

FOR COMPLETE MECHANICAL AND ELECTRICAL SPECIFICATION, SEE COMPONENT SPECIFICATION C004X (LATEST ISSUE).

**NOTES:**

1. RECOMMENDED PIN SIZE = Ø0.41 TO Ø0.53mm.

2. RECOMMENDED PCB HOLE SIZE = Ø0.80mm.

ORDER CODE:

**D2899-42**

FINISH: \_\_\_\_\_  
GOLD CLIP / 100% TIN SHELL

SB	5	23.10.12	11825
NAME	ISS.	DATE	C/NOTE
APPROVED:		S.BENNETT	
CHECKED:		M.PLESTED	
DRAWN:		J. KEIR	
CUSTOMER REF.:			
ASSEMBLY DRG:			

**HARWIN**

www.harwin.com  
technical@harwin.com

THIS DRAWING AND ANY INFORMATION OR DESCRIPTIVE MATTER SET OUT HEREON ARE CONFIDENTIAL AND COPYRIGHT PROPERTY OF THE HARWIN GROUP AND MUST NOT BE DISCLOSED, LOANED, COPIED OR USED FOR MANUFACTURING, TENDERING OR FOR ANY OTHER PURPOSE WITHOUT THEIR WRITTEN PERMISSION.

**TOLERANCES**  
X. = ±1mm  
X.X = ±0.25mm  
X.XX = ±0.10mm  
X.XXX = ±0.01mm  
ANGLES = ±5°  
UNLESS STATED

**MATERIAL:**

SEE ABOVE

**FINISH:**

SEE ABOVE

**S/AREA:**

mm<sup>2</sup>

**TITLE:**

3-WAY I.C. SOCKET  
WITH CENTRE SOCKET REMOVED

**DRAWING NUMBER:**

**D2899-42**

SHT

2 OF 2