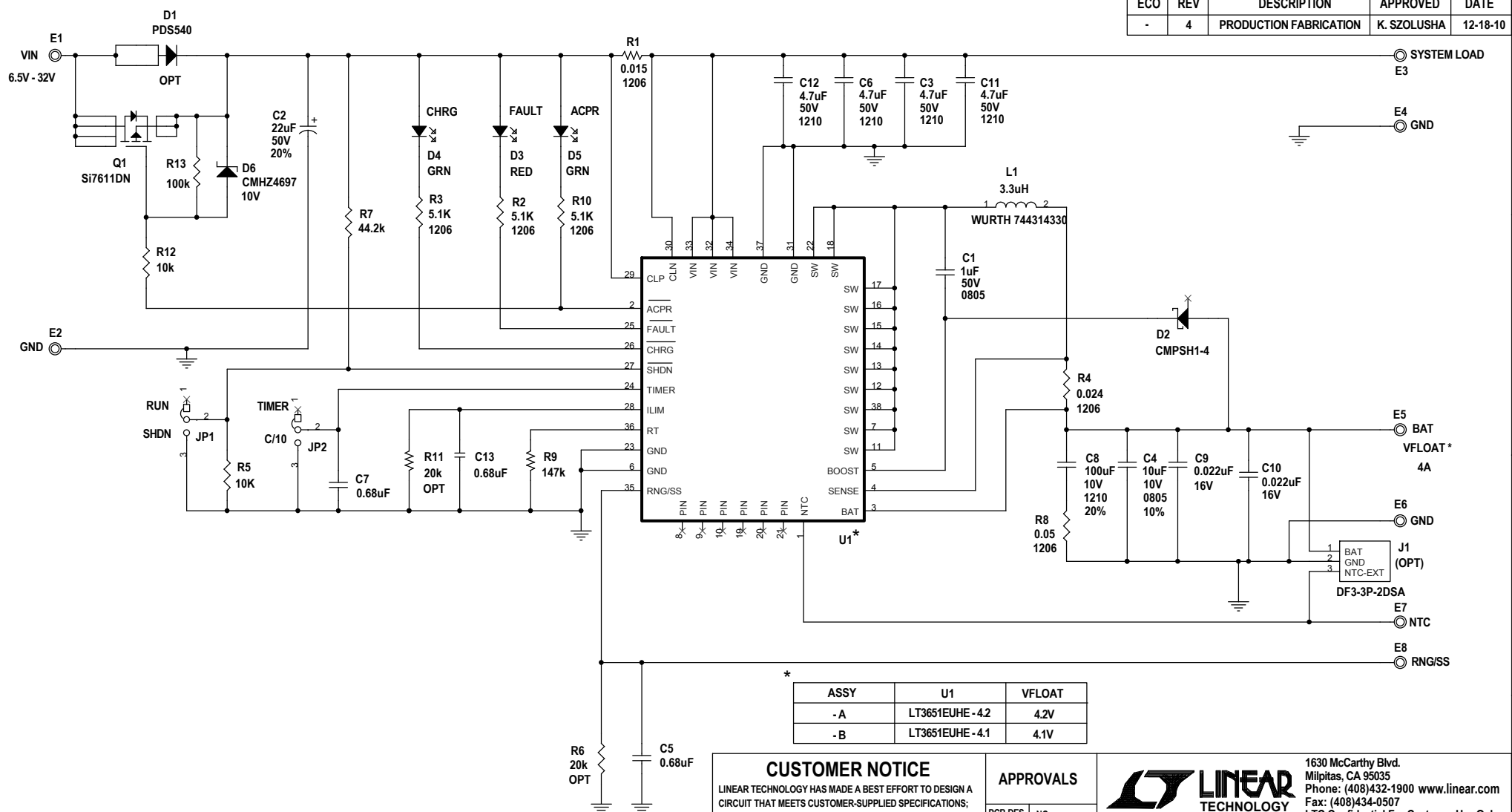


REVISION HISTORY				
ECO	REV	DESCRIPTION	APPROVED	DATE
-	4	PRODUCTION FABRICATION	K. SZOLUSHA	12-18-10



ASSY	U1	VFLOAT
-A	LT3651EUHE - 4.2	4.2V
-B	LT3651EUHE - 4.1	4.1V

NOTES: UNLESS OTHERWISE SPECIFIED

1. ALL RESISTORS ARE IN OHMS, 0402, 1%, 1/16W.
2. ALL CAPACITORS ARE IN MICROFARADS, 0402, 10%, 10V.
3. INSTALL SHUNTS ON JUMPERS AS SHOWN.

<p>CUSTOMER NOTICE</p> <p>LINEAR TECHNOLOGY HAS MADE A BEST EFFORT TO DESIGN A CIRCUIT THAT MEETS CUSTOMER-SUPPLIED SPECIFICATIONS; HOWEVER, IT REMAINS THE CUSTOMER'S RESPONSIBILITY TO VERIFY PROPER AND RELIABLE OPERATION IN THE ACTUAL APPLICATION. COMPONENT SUBSTITUTION AND PRINTED CIRCUIT BOARD LAYOUT MAY SIGNIFICANTLY AFFECT CIRCUIT PERFORMANCE OR RELIABILITY. CONTACT LINEAR TECHNOLOGY APPLICATIONS ENGINEERING FOR ASSISTANCE.</p>		<p>APPROVALS</p> <table border="1"> <tr> <td>PCB DES.</td> <td>NC</td> </tr> <tr> <td>APP ENG.</td> <td>K. SZOLUSHA</td> </tr> </table>		PCB DES.	NC	APP ENG.	K. SZOLUSHA	<p>LINEAR TECHNOLOGY</p> <p>1630 McCarthy Blvd. Milpitas, CA 95035 Phone: (408)432-1900 www.linear.com Fax: (408)434-0507 LTC Confidential-For Customer Use Only</p>			
		PCB DES.	NC								
APP ENG.	K. SZOLUSHA										
<p>THIS CIRCUIT IS PROPRIETARY TO LINEAR TECHNOLOGY AND SUPPLIED FOR USE WITH LINEAR TECHNOLOGY PARTS.</p>		<p>SCALE = NONE</p>		<p>TITLE: SCHEMATIC</p> <p>4A HIGH VOLTAGE LI-ION BATTERY CHARGER</p> <table border="1"> <tr> <td>SIZE</td> <td>IC NO.</td> <td>REV.</td> </tr> <tr> <td>N/A</td> <td>LT3651EUHE - 4.2 / - 4.1</td> <td>4</td> </tr> </table> <p>DATE: 12-18-10</p>		SIZE	IC NO.	REV.	N/A	LT3651EUHE - 4.2 / - 4.1	4
SIZE	IC NO.	REV.									
N/A	LT3651EUHE - 4.2 / - 4.1	4									