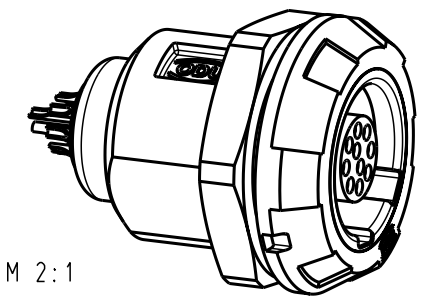
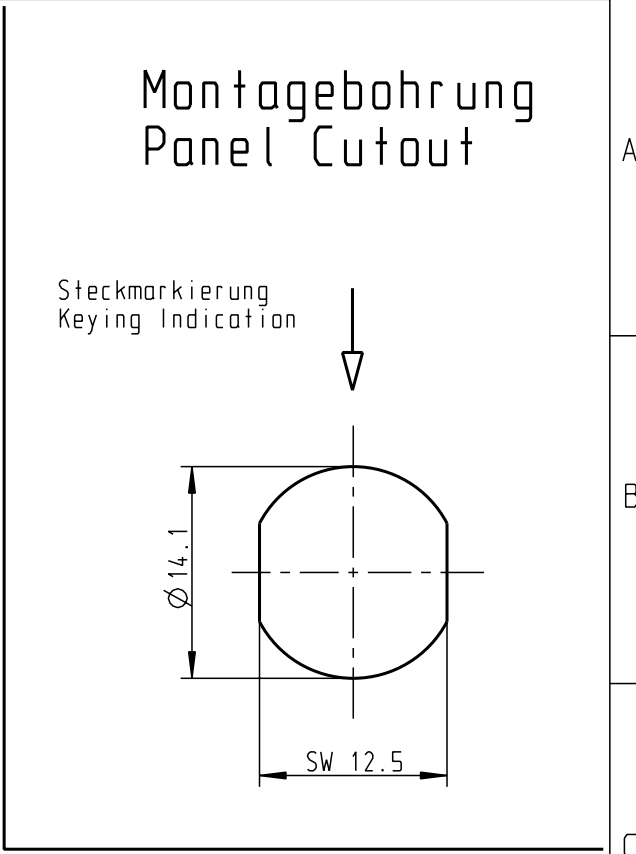
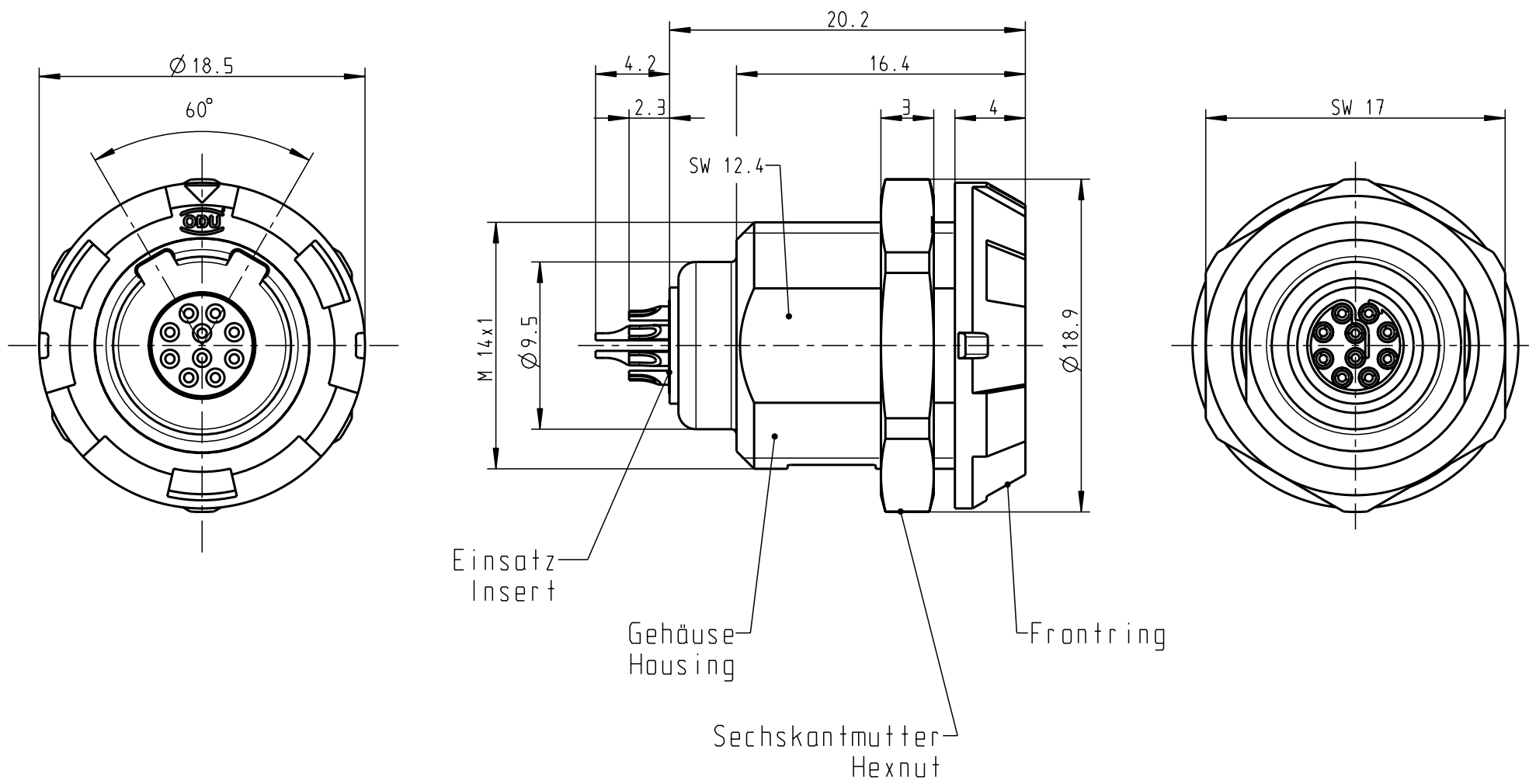


For these drawings, all rights reserved. For the use of these drawings, all rights reserved. For the use of these drawings, all rights reserved.

For these drawings, all rights reserved. For the use of these drawings, all rights reserved. For the use of these drawings, all rights reserved.

For these drawings, all rights reserved. For the use of these drawings, all rights reserved. For the use of these drawings, all rights reserved.

CAD: Pro/ENGINEER



G11MC7-P10LCC0-0020	rot / red
G11MC7-P10LCC0-0030	weiß / white
G11MC7-P10LCC0-0040	gelb / yellow
G11MC7-P10LCC0-0050	grün / green
G11MC7-P10LCC0-0060	blau / blue
G11MC7-P10LCC0-0070	grau / grey
G11MC7-P10LCC0-0080	schwarz / black
Artikelnummer Partnumber	Farbe Frontring Colour Frontring

Technische Daten/Technical Data:

Werkstoffe/Materials: Gehäuse/Housing:	PSU grau PSU grey	KontaktØ / ContactØ:	Ø0.5 mm
Kontakte/Contacts:	Cu-Legierung /Cu-alloy	Anschluß/Termination: Löt/Solder	0.08mm ² AWG 28
Isolierkörper/Insulation Body:	PEEK	Prüfspannung/Test Voltage:	1.35 kV dc (SAE AS 13441)
Oberflächen/Surfaces: Gehäuse/Housing		Strombelastung/Current Load: Einzelkontakte/single contacts	5 A 2.75 A
Kontakte/Contacts:	gal. Au	10-polig / 10-pos.: (IEC 512-3 / VDE 0298 T4)	
Schutzart im gesteckten Zustand: IP 50 /Protection Class in mated condition			

Maße ohne Toleranzangabe nach mittel DIN ISO 2768		Rohteil:		Rohgew.:	PE-Modell-Nr.: 00019533
2008 Tag Name		Benennung:		CAD-Nr.:	00038480 Bl.:
Bearb. 29.04. D.Stein		Geräteteil Receptacle		Maßstab: 3:1	
Gepr. Norm.		Zeichnungs Nr.:		Vervielf. Pause	
		G11MC7-P10LCC0-00.0		Nr.:	
And-zust. Aend.-Mitt. Datum Name		Ersatz für:			

