

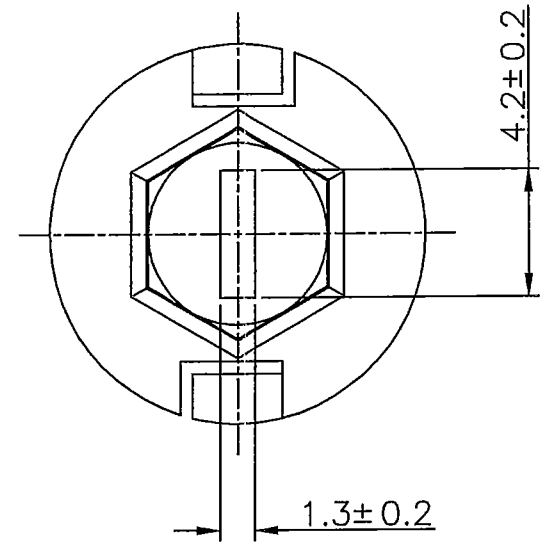
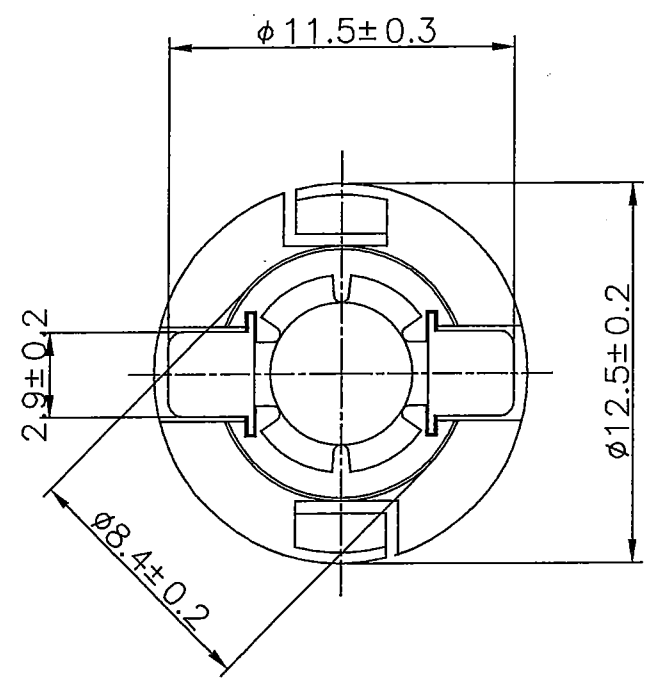
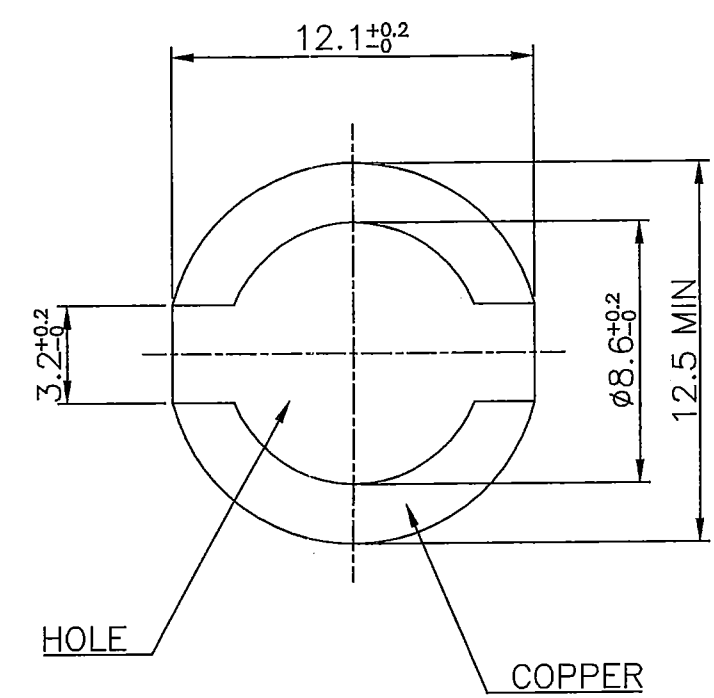


| REVISIONS | | | |
|---|------------------|-----|--------|
| LET | DESCRIPTION | BY | DATE |
|  | 8.0MAX→8.5MAX | Y.M | 930727 |
|  | BASE TYPE CHANGE | S.S | 030513 |

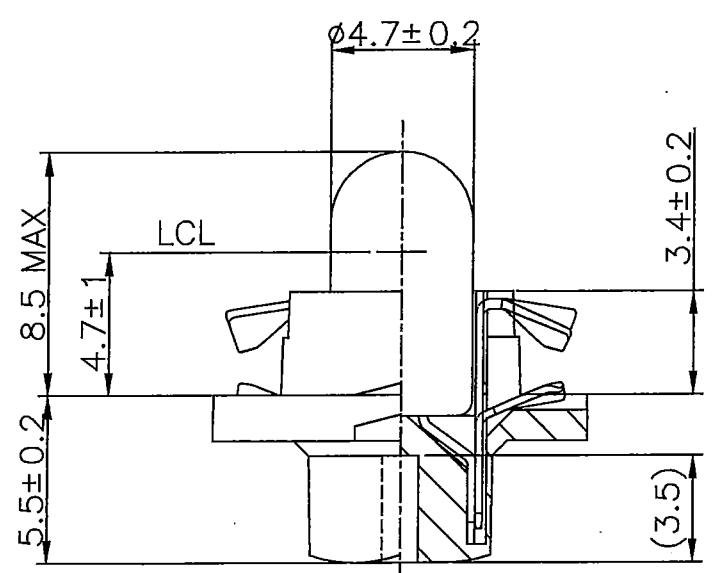
BOTTOM VIEW



PCB HOLE





HOLE THICKNESS 1.45~1.65mm



| | |
|----------------|-------------------|
| P/No. | OL-5078PBC-001988 |
| DESIGN VOLT | 6.3V |
| DESIGN AMP | 180mA± 10% |
| BRIGHTNESS | 0.4MSCP± 25% |
| FILAMENT SHAPE | C-2R |
| BASE COLOR | WHITE |



| | | | | |
|-----------------|------------|-----------|---|---|
| SCALE | UNIT | MATERIAL | | |
| 4/1 | m.m | | | |
| TITLE | | DATE | | |
| T-1 1/2PBC LAMP | | 030513 |  Oshino Lamps Limited SHINAGAWA, TOKYO, JAPAN | |
| DRAWN | CHECKED | APPROVED | D.W.G.NO. | REV. |
| S.S | <i>M.S</i> | <i>CA</i> | 001988 |  |