

図面番号 (DRAWING NO.) SJ101418

| 版数 REV. | 年月日 DATE | DCN NO. | 変更内容 DESCRIPTION | 製図 DR. | 担当 CHK. | 査閲 APPD. | 承認 APPD. |
|------------|-------------|---------|---------------------|-----------|------------|-------------|-------------|
| | | | | | | | |
| | | | | | | | |

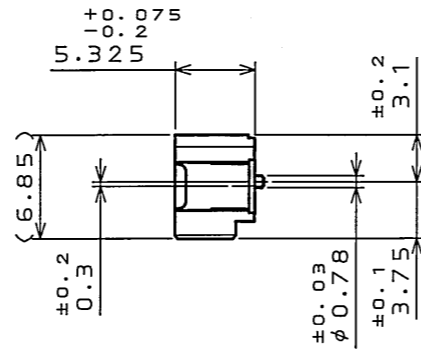
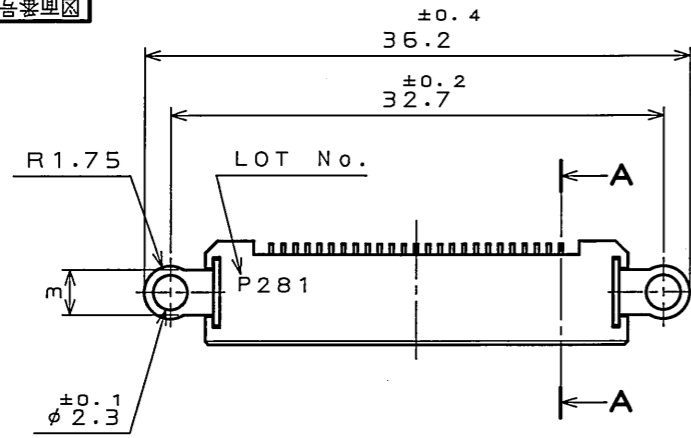
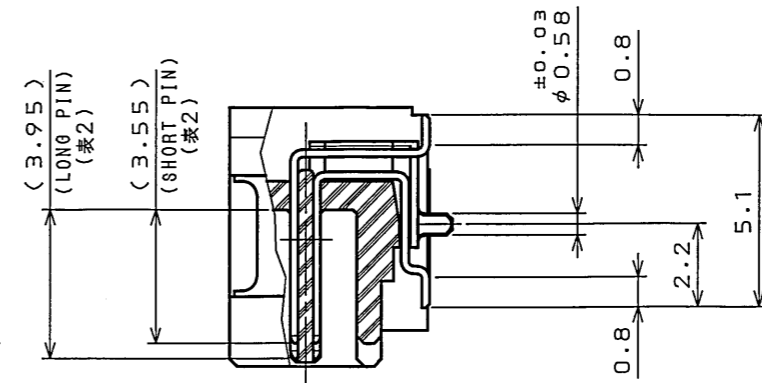
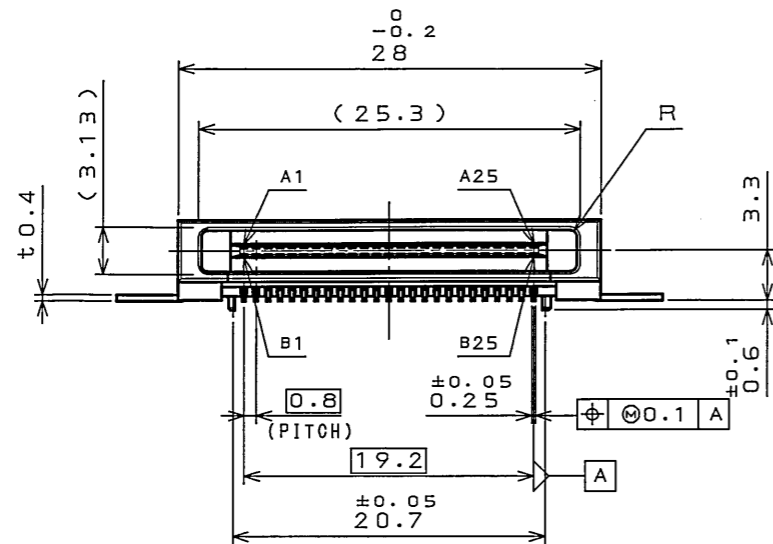


TABLE1. CONTACT FINISH

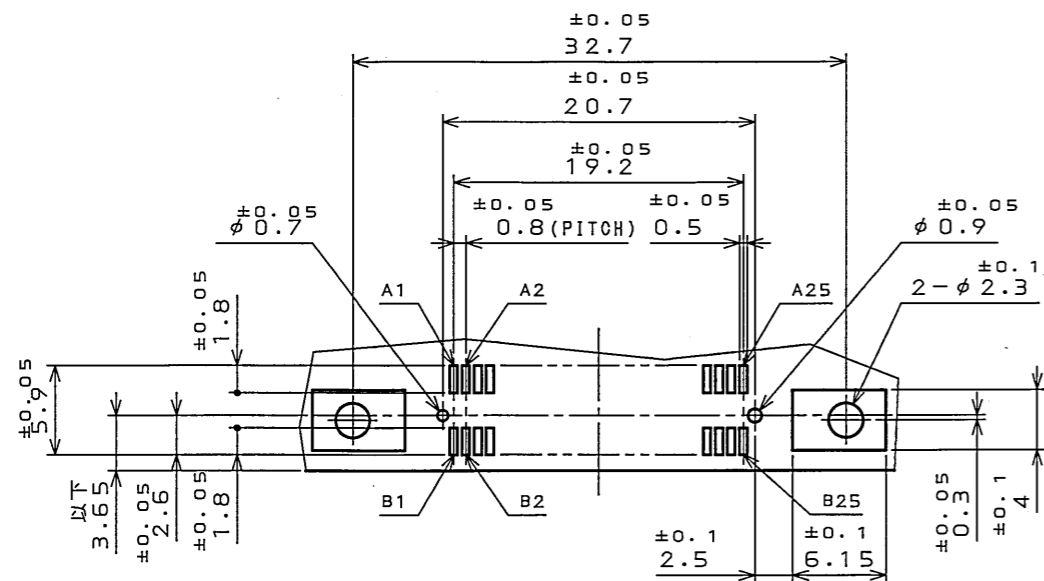
| CONTACT AREA | TERMINAL AREA |
|-------------------------------|--------------------------------|
| GOLD(0.1μmMIN) OVER NICKEL | GOLD(0.03μmMIN) OVER NICKEL |

TABLE2. CONTACT LENGTH

| CONTACT LENGTH | CONTACT NUMBER |
|----------------|---------------------------|
| 3.95 | ROW A A3,A4,A5,A6,A14,A24 |
| | ROW B B3,B5,B6,B7,B13,B24 |
| 3.55 | OTHER CONTACTS |



SECT. A-A
(SCALE 10:1)



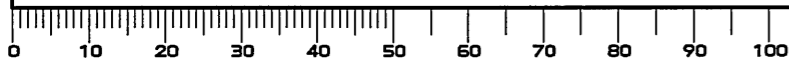
APPLICABLE P.C.B. DIMENSION(REF.)

| | | | | | |
|------------------------|-------------------|-----------------------------------|------------------|--------------------------------|----------------------|
| 3 | HOLD DOWN | 2 | COPPER ALLOY | TIN OVER NICKEL | |
| 2 | INSULATOR | 1 | GLASS FILLED LCP | | BLACK:UL94 V-0 |
| 1 | CONTACT | 50 | COPPER ALLOY | TABLE 1 | |
| 符号 NO. | 名称 DESCRIPTION | 個数 QTY. | 材料 MATERIAL | 仕上 FINISH | 備考 REMARKS |
| 仕様書 (SPECIFICATION) | | 第1版 (ORIGINAL DATE) 1.Jul.2004 | | 尺度 (SCALE) 2:1 | シリーズ (SERIES) PM1 |
| 公差 (GENERAL TOLERANCE) | | 製図 DR. | | 名称 (TITLE) PM1M050H1AE | |
| 寸法 (DIMENSION) | | 担当 CHK. T.MORITAKE | | | |
| 角度 (ANGLES) | | 査閲 APPD. H. Kawase | | | |
| . ±0.8 | | 承認 APPD. S. Kobayashi | | | |
| .X ±0.4 | | | | 質量 (MASS) | |
| .XX ±0.1 | | | | 図面番号 (DRAWING NO.) SJ101418 | |
| .XXX ± | | | | 版数 (REV.) 1 | |

LEAD FREE この製品は鉛フリー品です

JAE CONNECTOR DIV. PROPRIETARY.
COPYRIGHT (C) 2004. JAPAN AVIATION ELECTRONICS INDUSTRY, LTD.

DOF-0-212E(03.08)



SIZE A3