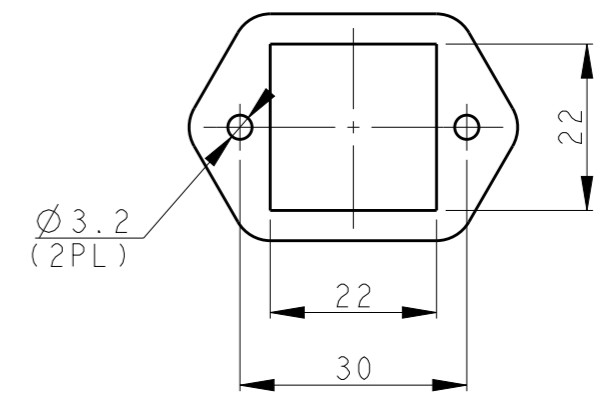
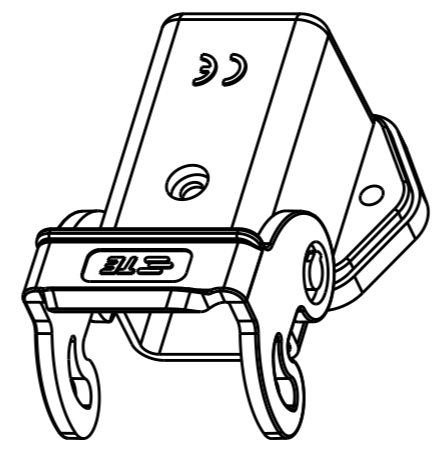
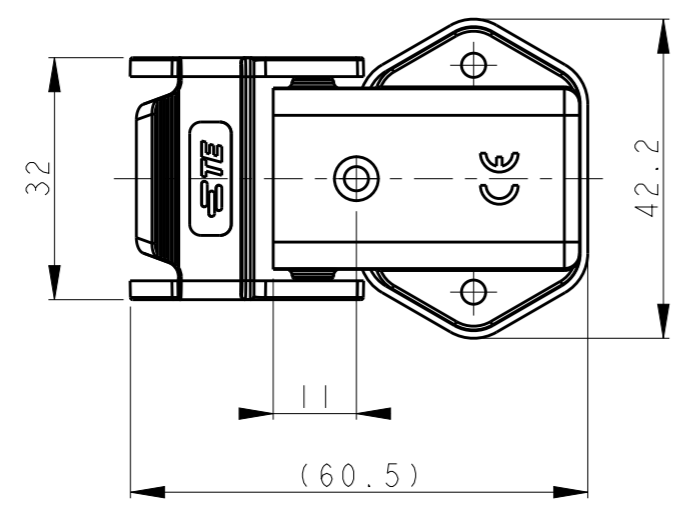
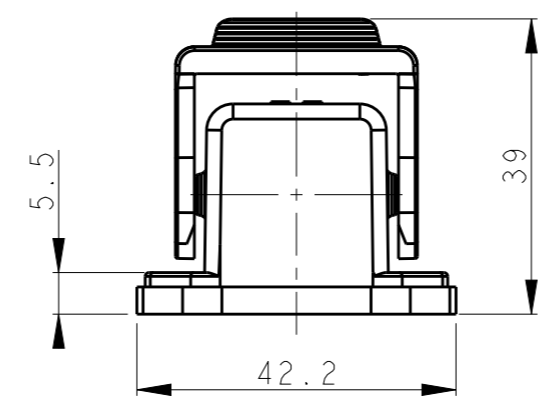
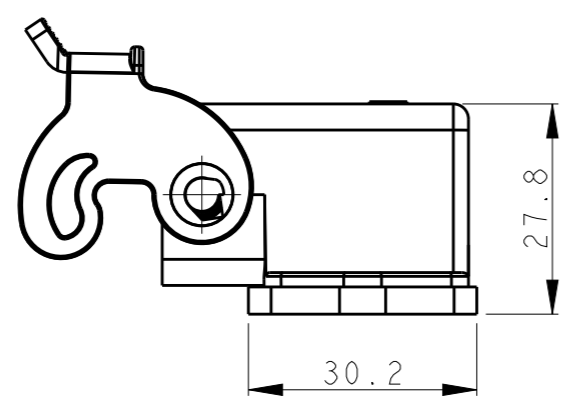
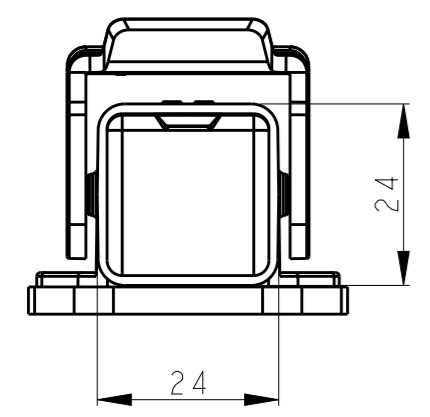


THIS DRAWING IS UNPUBLISHED. RELEASED FOR PUBLICATION 20  
 © COPYRIGHT 20 BY - ALL RIGHTS RESERVED.

LOC	DIST	REVISIONS				
P	LTR	DESCRIPTION	DATE	DWN	APVD	
-	-	A	INITIAL RELEASE	23APR2015	DL	CW
		B	ECR-18-017120	27MAR2019	BS	CW
		C	ECR-20-008412	26NOV2020	BS	CW

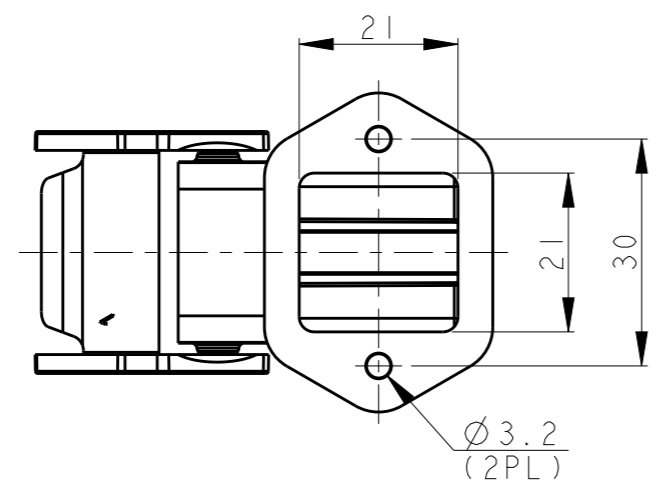


PANNEL CUT OUT




NOTES:  
 1. TECHNICAL CHARACTERISTICS:  
 BODY MATERIAL: PC  
 DEGREE OF PROTECTION: IP65 (MATED)

注释:  
 1. 技术参数:  
 主体材料: PC  
 防护等级: IP65(配合)



T1509031111-000	H3A-AGS	H3APLASTIC HOUSING, BULKHEAD MOUNTED, SIDE ENTRY PGII, PLASTIC SINGLE LOCKING, GREY H3A塑料下壳, 开孔安装, 侧出PGII, 塑料单扣, 灰色
PART NUMBER 料号	PART DESCRIPTION 描述	

THIS DRAWING IS A CONTROLLED DOCUMENT.		DWN 23APR2015 DAVID LI	 TE Connectivity NAME H3A-AGS				
DIMENSIONS: mm		CHK 23APR2015 CHRIS WANG					
TOLERANCES UNLESS OTHERWISE SPECIFIED:		APVD 23APR2015 XU XIANG					
0 PLC ±- 1 PLC ±- 2 PLC ±- 3 PLC ±- 4 PLC ±- ANGLES ±-		PRODUCT SPEC 108-137134					
MATERIAL -		APPLICATION SPEC 114-137134	SIZE A3	CAGE CODE -	DRAWING NO C-T1509031111000	RESTRICTED TO -	
FINISH -		WEIGHT -	CUSTOMER DRAWING		SCALE	SHEET OF	REV C