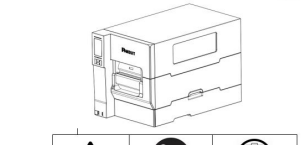
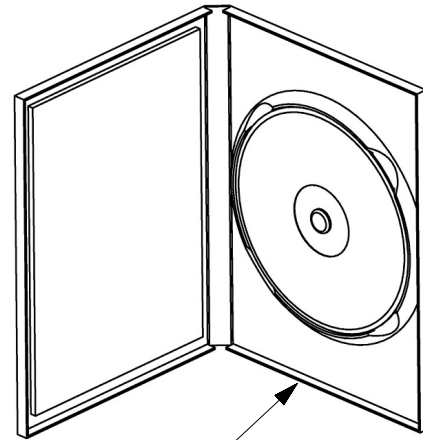
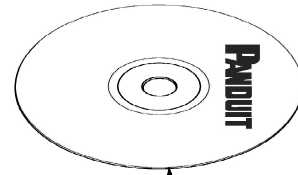
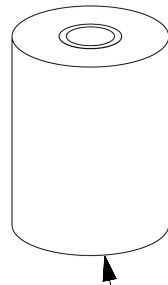
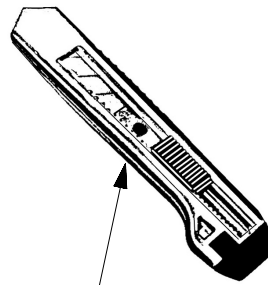
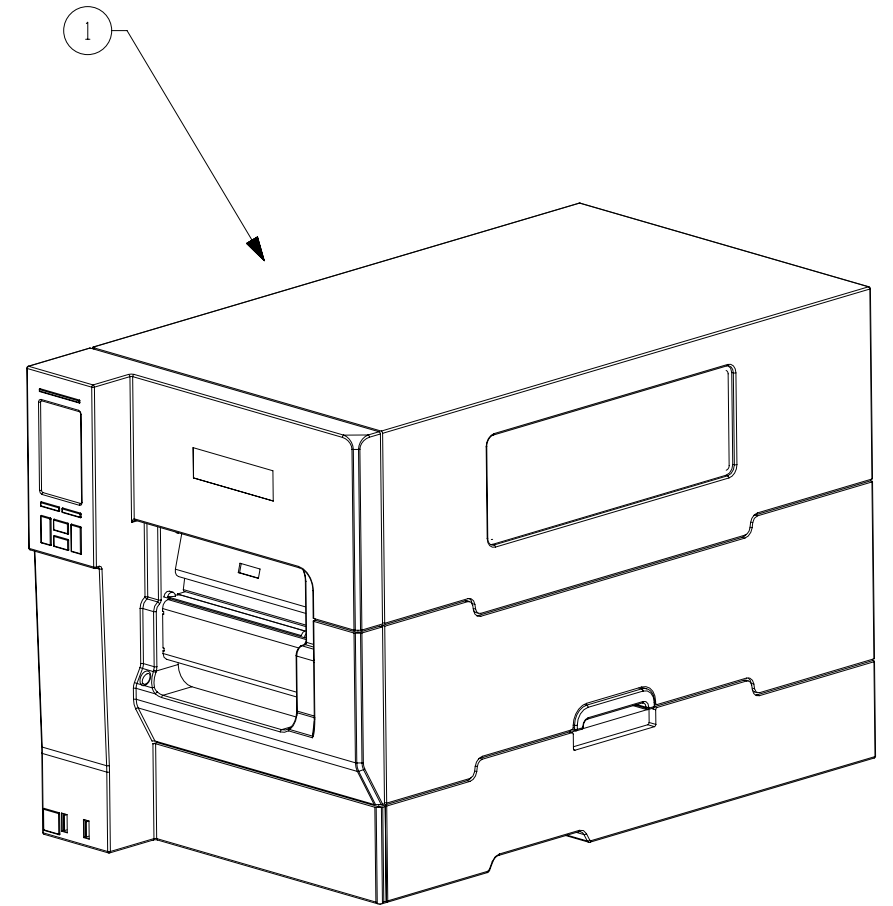
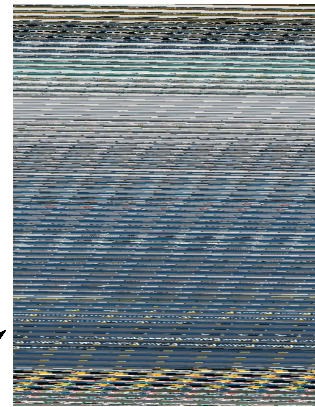


ASSEMBLY PART NUMBER	ITEM	QTY	DESCRIPTION	PART NUMBER
TDP43HET TDP46HET TDP43HET/E TDP46HET/E	1	1	300/600DPI PRINTER	TDP43HET TDP46HET TDP43HET/E TDP46HET/E
	2	1	EASY MARK PLUS LABELING SOFTWARE	EMPLUS-CD
	3	1	USB CABLE	USB CABLE
	4	1	THERMAL TRANSFER LINE CARD (BOOKLET)	IDLC08-SA-ENG
	5	1	WARRANTY CARD	GMLS1-REG
	6	1	DRIVER CD WITH USER MANUAL	A80523
	7	1	USER MANUAL, HARDCOPY	B20733
	8	1	MEDIA/RIBBON KNIFE	GMBLADE
	9	1	RIBBON ROLL (HYBRID)	RHEH4BL-S
	10	1	QUICK-START GUIDE, HARDCOPY	B20732
	11	1	PRINTER RECOMMENDATION SETTINGS, HARD COPY	B20748
TDP43/6HET	12	1	NORTH AMERICA POWER CORD	POWER CORD
TDP43HET/E	1			
TDP46HET/E	1			



NOTE: In the interest of higher quality and value, Panduit products are continuously being improved and updated. Consequently, features may vary from the enclosed product.

PANDUIT	
Region	Tel: 800-935-6685
USA & Canada	1-800-935-6685
Latin America	52-552-8900
Europe/Middle East	+31-545-50-452
Asia Pacific	65-6305-7575
Japan	81-3-6865-6866
Australia	613-9784-9020

**IMPORTANT! PANDUIT! IMPORTANT!**  
 FOR YOUR CONVENIENCE, REGISTER YOUR PRINTER ONLINE:  
<http://www.panduit.com/productregistration>

FOR UPDATES AND ADDITIONAL INFORMATION ABOUT PRINTERS, DRIVERS, AND LABELING SOFTWARE, GO TO:  
[www.panduit.com/downloads](http://www.panduit.com/downloads)

For your purchase please complete and mail this card within two (2) working days from the date of purchase. This will validate your Panduit Corp. Warranty.

Model No. \_\_\_\_\_ Serial No. \_\_\_\_\_

Name \_\_\_\_\_ Title \_\_\_\_\_

Company \_\_\_\_\_

Address \_\_\_\_\_

City \_\_\_\_\_ State \_\_\_\_\_ Zip \_\_\_\_\_

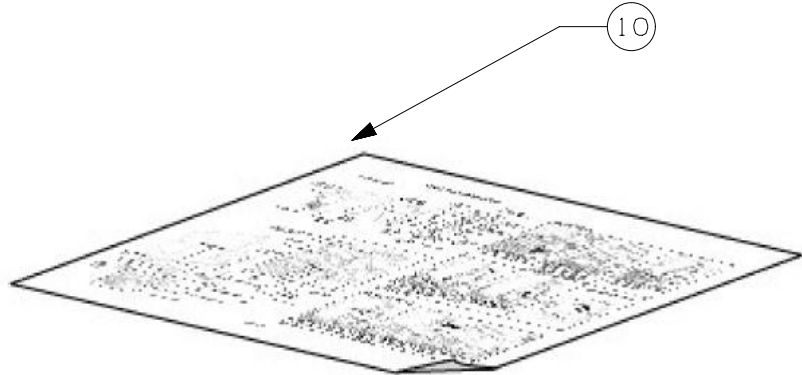
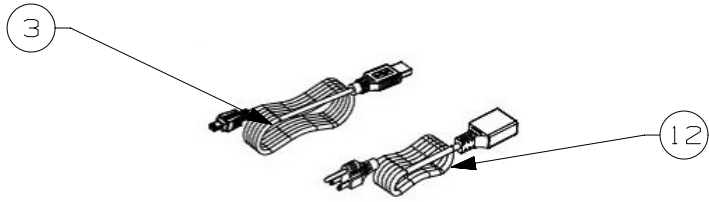
Country \_\_\_\_\_

Phone Number \_\_\_\_\_

E-mail Address \_\_\_\_\_

**PANDUIT** TDP43HET/TDP46HET  
 PRINTER RIBBON  
 SETTING RECOMMENDATIONS

Media Type	Ribbon Type	Part Number	Speed	Printer Darkness
Full Face Labels & Name	Hybrid	MSH040L	4	10
Component Labels	Hybrid	MSH040L	3	10
Component Labels	Hybrid	MSH040L	4	10
Component Labels	Hybrid	MSH040L	5	10
Component Labels	Hybrid	MSH040L	6	10
Component Labels	Hybrid	MSH040L	7	10
Component Labels	Hybrid	MSH040L	8	10
Component Labels	Hybrid	MSH040L	9	10
Component Labels	Hybrid	MSH040L	10	10
Component Labels	Hybrid	MSH040L	11	10
Component Labels	Hybrid	MSH040L	12	10
Component Labels	Hybrid	MSH040L	13	10
Component Labels	Hybrid	MSH040L	14	10
Component Labels	Hybrid	MSH040L	15	10
Component Labels	Hybrid	MSH040L	16	10
Component Labels	Hybrid	MSH040L	17	10
Component Labels	Hybrid	MSH040L	18	10
Component Labels	Hybrid	MSH040L	19	10
Component Labels	Hybrid	MSH040L	20	10
Component Labels	Hybrid	MSH040L	21	10
Component Labels	Hybrid	MSH040L	22	10
Component Labels	Hybrid	MSH040L	23	10
Component Labels	Hybrid	MSH040L	24	10
Component Labels	Hybrid	MSH040L	25	10
Component Labels	Hybrid	MSH040L	26	10
Component Labels	Hybrid	MSH040L	27	10
Component Labels	Hybrid	MSH040L	28	10
Component Labels	Hybrid	MSH040L	29	10
Component Labels	Hybrid	MSH040L	30	10
Component Labels	Hybrid	MSH040L	31	10
Component Labels	Hybrid	MSH040L	32	10
Component Labels	Hybrid	MSH040L	33	10
Component Labels	Hybrid	MSH040L	34	10
Component Labels	Hybrid	MSH040L	35	10
Component Labels	Hybrid	MSH040L	36	10
Component Labels	Hybrid	MSH040L	37	10
Component Labels	Hybrid	MSH040L	38	10
Component Labels	Hybrid	MSH040L	39	10
Component Labels	Hybrid	MSH040L	40	10
Component Labels	Hybrid	MSH040L	41	10
Component Labels	Hybrid	MSH040L	42	10
Component Labels	Hybrid	MSH040L	43	10
Component Labels	Hybrid	MSH040L	44	10
Component Labels	Hybrid	MSH040L	45	10
Component Labels	Hybrid	MSH040L	46	10
Component Labels	Hybrid	MSH040L	47	10
Component Labels	Hybrid	MSH040L	48	10
Component Labels	Hybrid	MSH040L	49	10
Component Labels	Hybrid	MSH040L	50	10



PRODUCT NOTES:  
 1) VISIT OUR ONLINE CATALOG AT  
[WWW.PANDUIT.COM](http://WWW.PANDUIT.COM) FOR A LIST  
 OF CURRENT PARTS APPLICABLE  
 FOR USE WITH THIS PRODUCT.  
 2) PRINTER WEIGHT IS 35 POUNDS.  
 3) PRINTER DIMENSIONS ARE  
 11"(W) X 13"(H) X 20"(L)

00	9-31-21	BMAG	MSAD	KJM	DRAWING RELEASE	GAECN088620
REV	DATE	BY	CHK	APR	DESCRIPTION	ECN

TITLE		TDP43HET, TDP46HET, TDP43HET/E, TDP46HET/E INDUSTRIAL THERMAL TRANSFER PRINTER	
CUSTOMER DRAWING			
ITEM REVISION NAME		01643NBB/00	
DATASET FILE NAME		01643NBB_DC	
UNLESS OTHERWISE SPECIFIED, DIMENSIONAL TOLERANCES ARE: IN [mm]		MATERIAL:	
.x ± .1 [ 2.54 ]      .xxx ± .005 [ .127 ]		VARIOUS	
.xx ± .01 [ .25 ]      ANGLES ± 5 °		DRAWING NUMBER:	
THIRD ANGLE PROJECTION		01643NBB_DC	
DRAWN BY	DATE	CHK	SCALE
BMAG	9-31-21	MSAD	N/A
SHT 1 OF 1			SIZE
B			