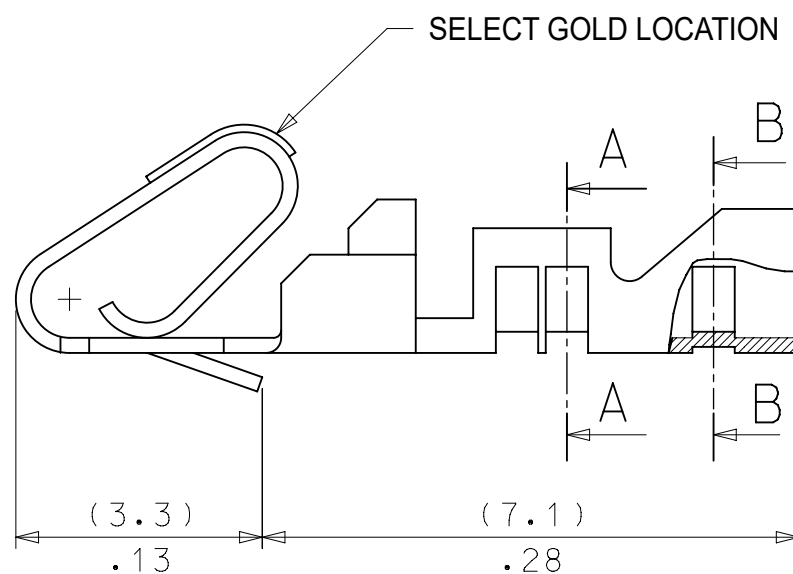
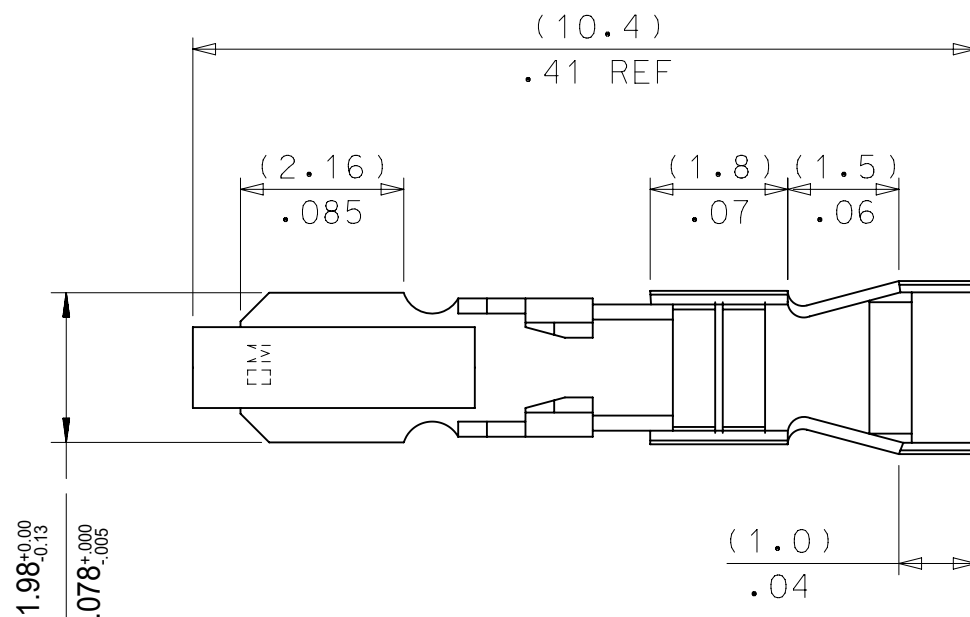
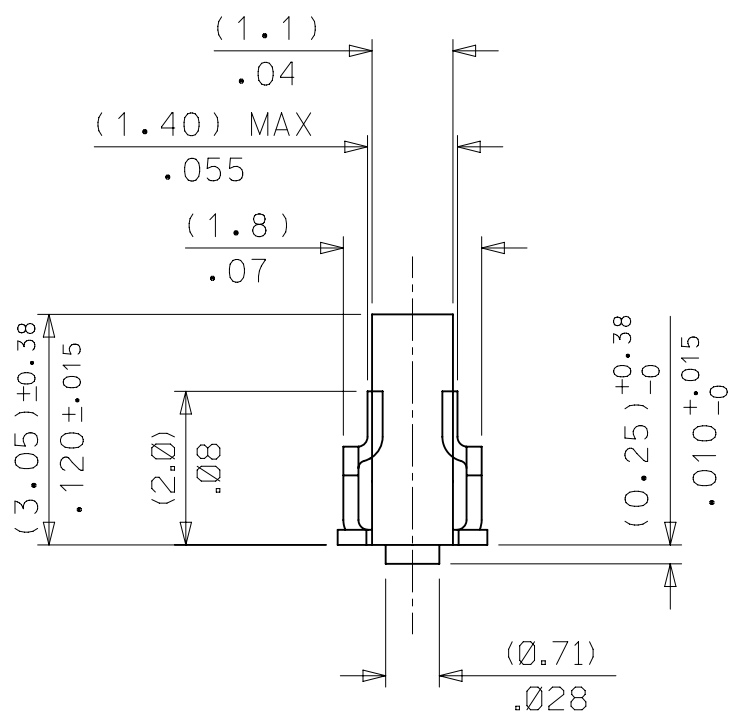


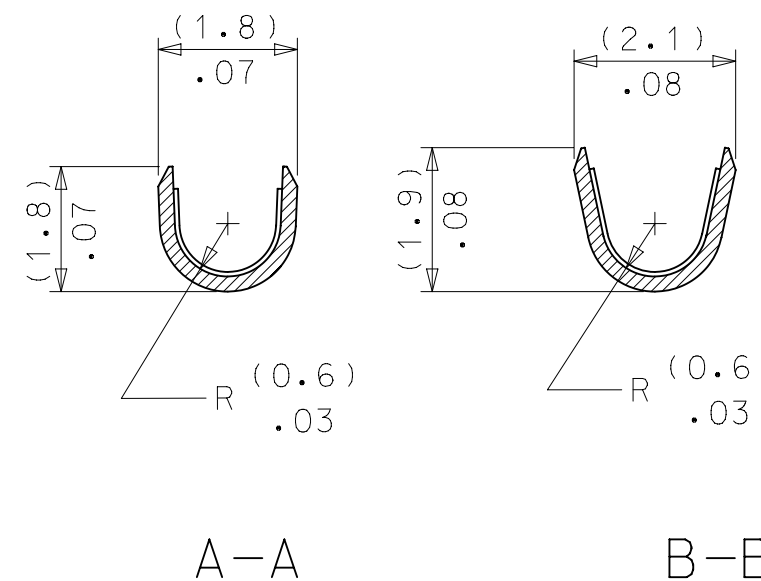
TOP FEEDING REEL WINDING DIRECTION



4	3	2	1
PART No.	ENG No.	FORM	FINISH
08-65-0105	8088-(555)	CHAIN	555

LEGEND

8088-(\*\*\*) \*  
 PLATING CODE ——— BLANK = CHAIN FORM, TOP FEEDING REEL  
 L = LOOSE FORM



NOTES:

1. MATERIAL: PHOS. BRONZE
2. FINISH:  
555 = 0.00038/.000015 MIN. SELECT GOLD IN CONTACT AREA OVER (0.00076)/.000030 MIN. NICKEL OVERALL
3. PRODUCT SPECIFICATION: PS-99020-0088.
4. FOR 22-30 AWG WIRE: (1.57)/.062 DIA MAX INSULATION
5. THIS PART CONFORMS TO CLASS B REQUIREMENTS OF MOLEX COSMETIC SPECIFICATION PS-45499-002.

THIS DRAWING CONTAINS INFORMATION THAT IS PROPRIETARY TO MOLEX ELECTRONIC TECHNOLOGIES, LLC AND SHOULD NOT BE USED WITHOUT WRITTEN PERMISSION												
DIMENSION UNITS		SCALE		CURRENT REV DESC: OBSOLETE PART NUMBERS						<b>molex</b>		
MM/INCH		10:1										
GENERAL TOLERANCES (UNLESS SPECIFIED)				EC NO: 650267		2020/10/16		KK (2.54)/.100				
				DRWN: SKANDB		2020/12/10		ANTI-FISH HOOKING TERMINAL 22-30 AWG				
4 PLACES ±				CHK'D: GGA		2020/12/10		PRODUCT CUSTOMER DRAWING				
3 PLACES ±				APPR: GGA		2020/12/10		DOCUMENT NUMBER				
2 PLACES ± 0.25				INITIAL REVISION:		1998/10/26		SD-8088-XXXX		DOC TYPE	DOC PART	REVISION
1 PLACE ± 0.51				DRWN: T.MAHON		2006/09/14		PSD	001	M		
0 PLACES ±				APPR: JDENNEHY								
ANGULAR TOL ± 0.5°				THIRD ANGLE PROJECTION		DRAWING		SERIES		SHEET NUMBER		
DRAFT WHERE APPLICABLE MUST REMAIN WITHIN DIMENSIONS				B-SIZE		8088		MATERIAL NUMBER		CUSTOMER		
				SEE TABLE		GENERAL MARKET				1 OF 1		

DOCUMENT STATUS	P1	RELEASE DATE	2020/12/10	08:28:06
-----------------	----	--------------	------------	----------