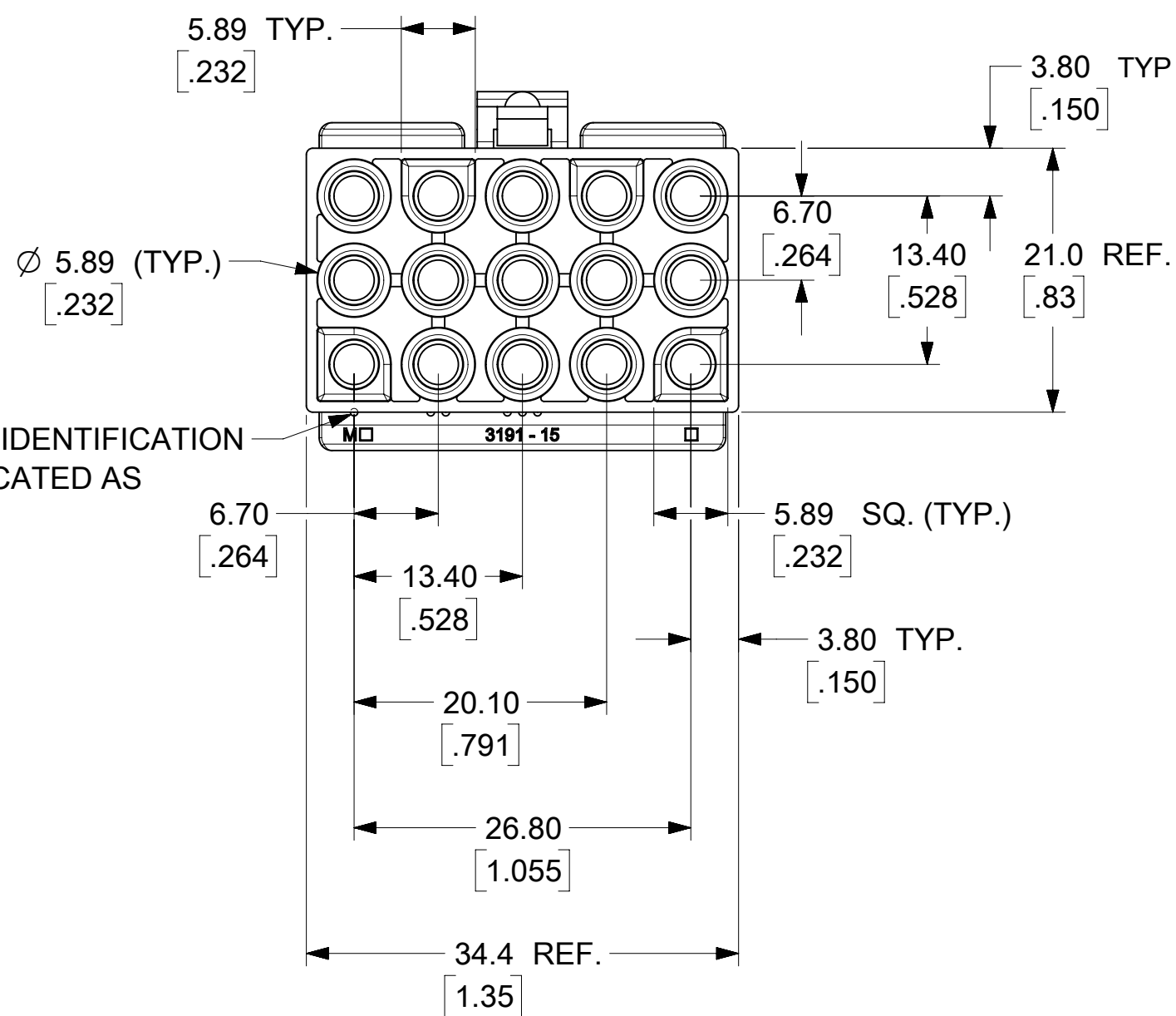
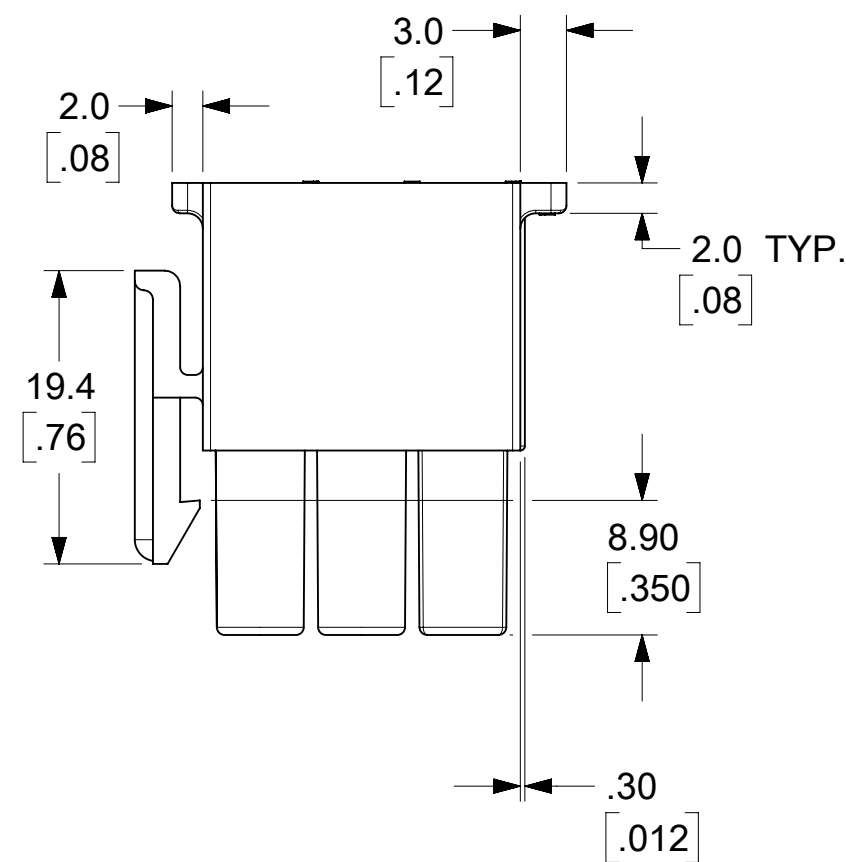
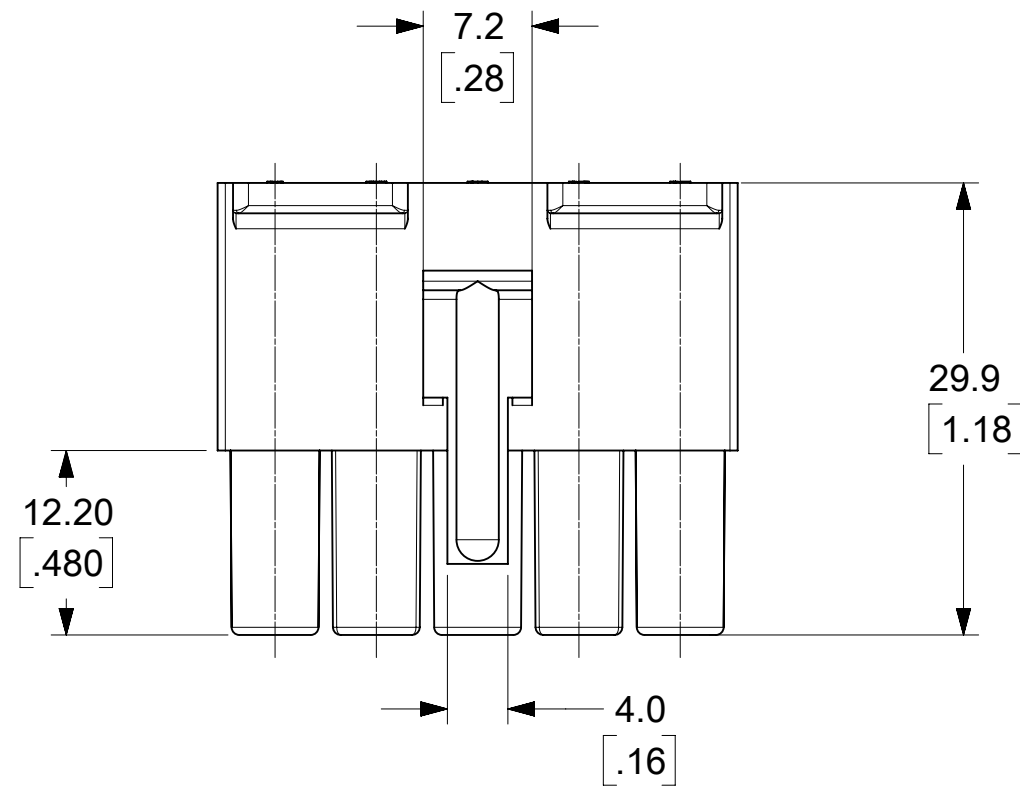
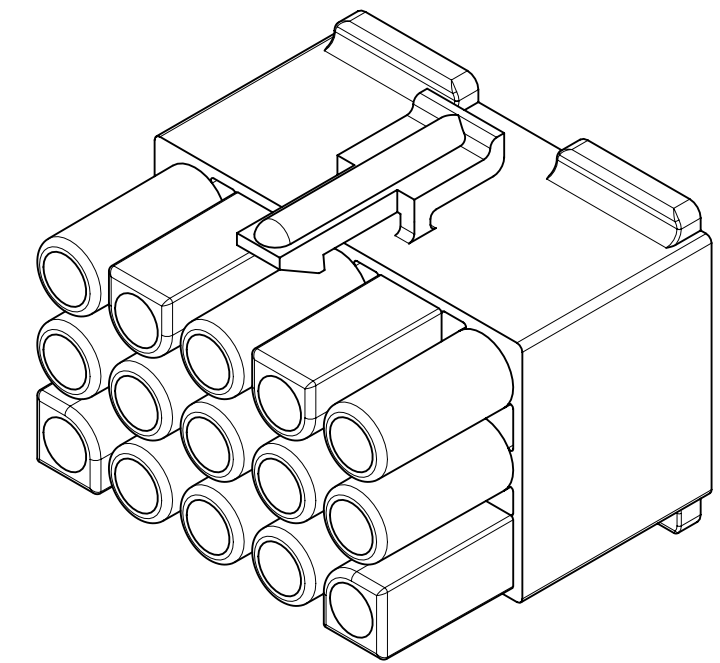
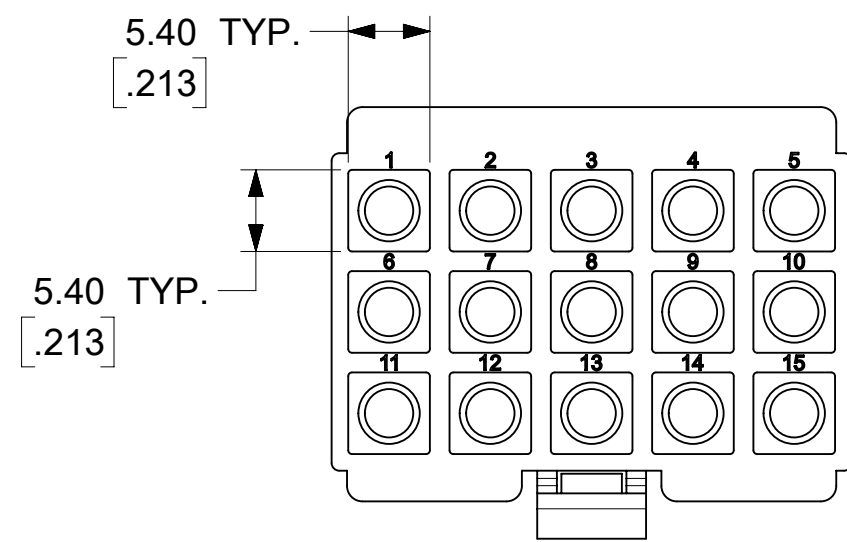


PLUG

FUNCTIONAL SYMBOLS	THIS DRAWING CONTAINS INFORMATION THAT IS PROPRIETARY TO MOLEX ELECTRONIC TECHNOLOGIES, LLC AND SHOULD NOT BE USED WITHOUT WRITTEN PERMISSION									
	DIMENSION UNITS		SCALE		CURRENT REV DESC: RECREATE IN NX					
$\frac{F}{A} = 0$	MM/INCH		2:1		molex .093/(2.36) HOUSING, PLUG AND RECEPTACLE, 15 CKT .264/(6.70) CTRS.					
$\frac{F}{C} = 0$	GENERAL TOLERANCES (UNLESS SPECIFIED)									
$\frac{F}{P} = 0$	4 PLACES		±	±	EC NO: 639672		2019/10/09			
DIVISIONAL SYMBOLS	3 PLACES		±	± 0.01	DRWN: MKIPPER		2020/07/06			
	2 PLACES		± 0.25	± 0.014	CHK'D: DSTEIER		2020/07/13			
1 PLACE		± 0.36	±	APPR: FSMITH		PRODUCT CUSTOMER DRAWING				
0 PLACES		±	±	INITIAL REVISION:		DOCUMENT NUMBER		DOC TYPE	DOC PART	REVISION
ANGULAR TOL		± °		DRWN: AELHAG		31911500-SD		PSD	000	A
DRAFT WHERE APPLICABLE MUST REMAIN WITHIN DIMENSIONS		THIRD ANGLE PROJECTION		DRAWING	SERIES	MATERIAL NUMBER	CUSTOMER	SHEET NUMBER		
				C-SIZE	3191	SEE CHART	GENERAL MARKET	1 OF 3		

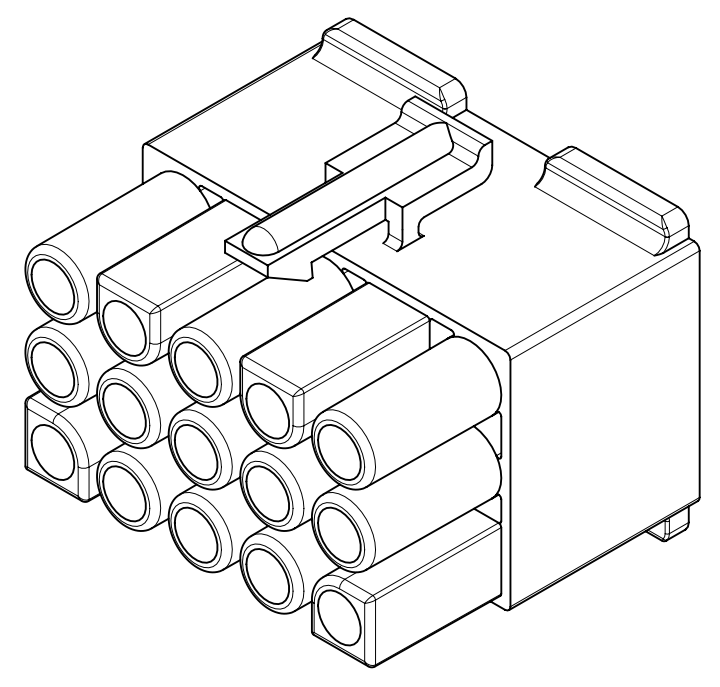
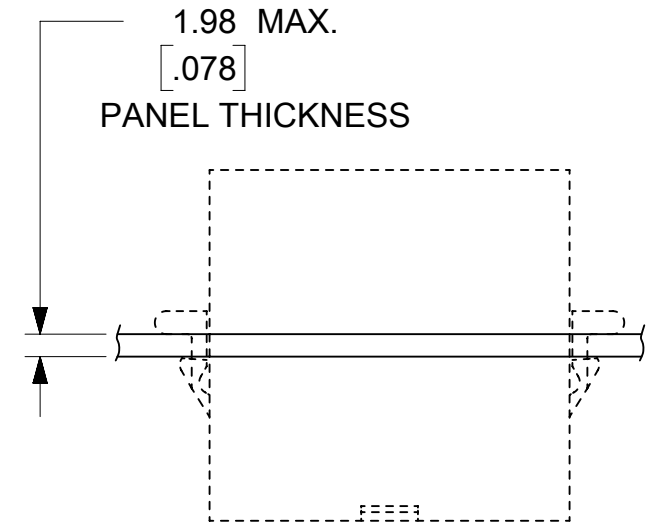
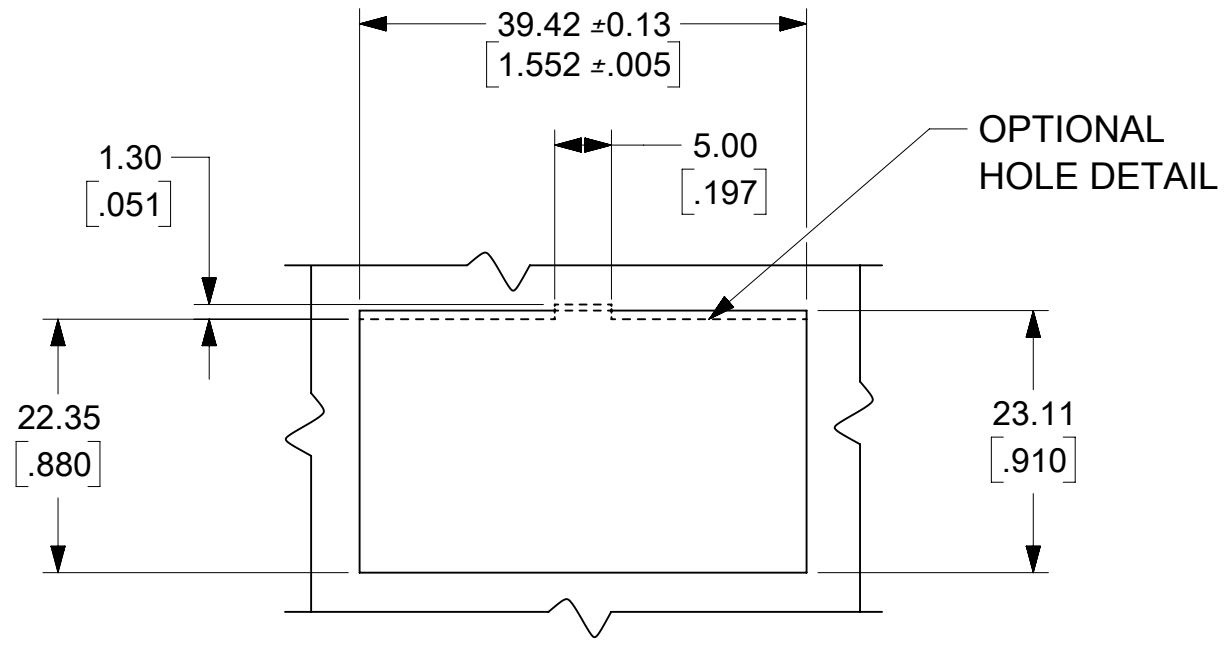


RECEPTACLE

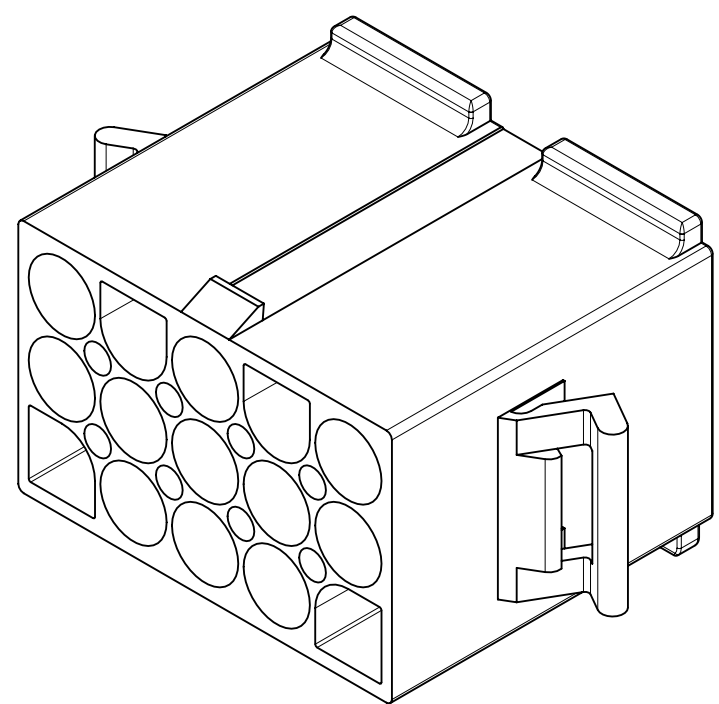
FUNCTIONAL SYMBOLS	THIS DRAWING CONTAINS INFORMATION THAT IS PROPRIETARY TO MOLEX ELECTRONIC TECHNOLOGIES, LLC AND SHOULD NOT BE USED WITHOUT WRITTEN PERMISSION			
	DIMENSION UNITS	SCALE		CURRENT REV DESC: RECREATE IN NX
$\frac{F}{A} = 0$	MM/INCH	2:1		molex .093/(2.36) HOUSING, PLUG AND RECEPTACLE, 15 CKT .264/(6.70) CTRS. PRODUCT CUSTOMER DRAWING
$\frac{F}{C} = 0$	GENERAL TOLERANCES (UNLESS SPECIFIED)			
$\frac{F}{P} = 0$		MM	INCH	
DIVISIONAL SYMBOLS				
	4 PLACES	±	±	EC NO: 639672
	3 PLACES	±	± 0.01	DRWN: MKIPPER 2019/10/09
	2 PLACES	± 0.25	± 0.014	CHK'D: DSTEIER 2020/07/06
	1 PLACE	± 0.36	±	APPR: FSMITH 2020/07/13
	0 PLACES	±	±	INITIAL REVISION:
	ANGULAR TOL	± °		DRWN: AELHAG 2012/03/28
	DRAFT WHERE APPLICABLE MUST REMAIN WITHIN DIMENSIONS			APPR: FSMITH 2012/04/25
	THIRD ANGLE PROJECTION	DRAWING	SERIES	DOCUMENT NUMBER
		C-SIZE	3191	31911500-SD
				DOC TYPE
				PSD
				DOC PART
				000
				REVISION
				A
				SHEET NUMBER
				2 OF 3

RECEPTACLE			
PART NO.	ENG. NO.	MATERIAL	COLOR
19-09-1159	3191-15R1	UL94V-2	NATURAL
19-09-1156	3191-15R1-201	UL94V-0	IVORY

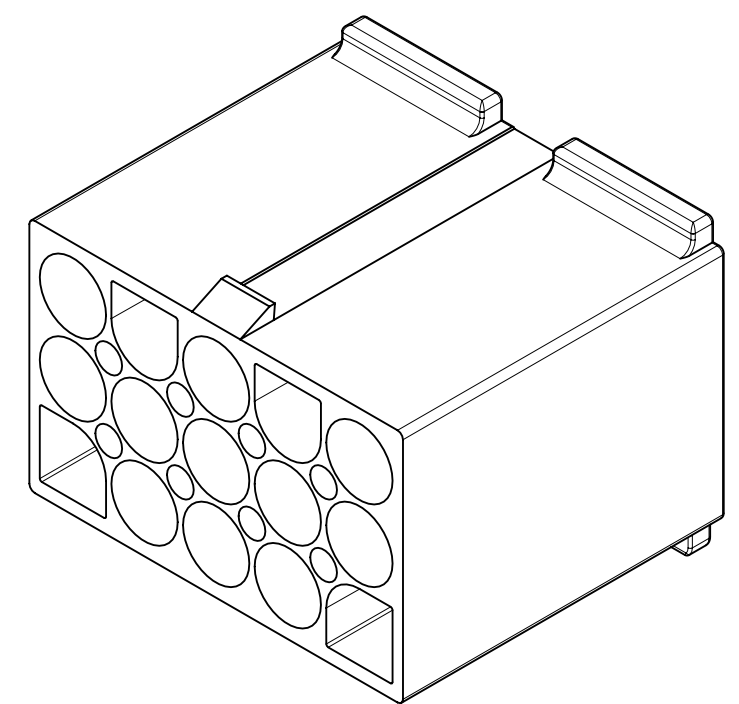
PLUG				
PART NO.	ENG. NO.	MOUNTING EARS	MATERIAL	COLOR
19-09-2158	3191-15P	YES	UL94V-2	NATURAL
19-09-2159	3191-15P1	NO	UL94V-2	NATURAL
19-09-2157	3191-15P-201	YES	UL94V-0	IVORY



RECEPTACLE HOUSING



PLUG PREBENT EARS



PLUG NO EARS

- NOTES:
1. MATERIAL: NYLON 6/6, SEE CHART FOR UL94 RATING AND COLOR
 2. FINISH: N/A
 3. PRODUCT SPECIFICATION: PS-02-09
 4. PACKAGING SPECIFICATION: 31910002-PK
 5. THIS HOUSING FOR USE WITH MOLEX .093/(2.36) DIA. TERMINALS.
 6. PARTS CONFORM TO CLASS B REQUIREMENTS OF COSMETIC SPECIFICATION PS-45499-002.
 7. TEXT ON PART IS FOR REFERENCE ONLY. TEXT AND TEXT LOCATION MAY VARY DEPENDING ON PART NUMBER AND/OR TOOL.
 8. THIS DRAWING REPLACES SD-3191-15R1*-* AND SD-3191-15P*-*.

FUNCTIONAL SYMBOLS FA = 0 FC = 0 FP = 0	THIS DRAWING CONTAINS INFORMATION THAT IS PROPRIETARY TO MOLEX ELECTRONIC TECHNOLOGIES, LLC AND SHOULD NOT BE USED WITHOUT WRITTEN PERMISSION			
	DIMENSION UNITS MM/INCH		SCALE 1:1	
	CURRENT REV DESC: RECRATE IN NX			
	GENERAL TOLERANCES (UNLESS SPECIFIED)			
DIVISIONAL SYMBOLS	MM		INCH	
	4 PLACES	±	±	
	3 PLACES	±	±	0.01
	2 PLACES	±	±	0.014
1 PLACE	±	±	0.36	
0 PLACES	±	±		
ANGULAR TOL		±	°	
DRAFT WHERE APPLICABLE MUST REMAIN WITHIN DIMENSIONS		THIRD ANGLE PROJECTION		

EC NO: 639672	2019/10/09	<p>.093/(2.36) HOUSING, PLUG AND RECEPTACLE, 15 CKT .264/(6.70) CTRS.</p>
DRWN: MKIPPER	2020/07/06	
CHK'D: DSTEIER	2020/07/13	
APPR: FSMITH		
INITIAL REVISION:		PRODUCT CUSTOMER DRAWING
DRWN: AELHAG	2012/03/28	DOCUMENT NUMBER
APPR: FSMITH	2012/04/25	31911500-SD
DRAFTING		DOC TYPE
C-SIZE	SERIES	PSD
3191	MATERIAL NUMBER	000
SEE CHART	CUSTOMER	000
GENERAL MARKET	REVISION	A
SHEET NUMBER		3 OF 3