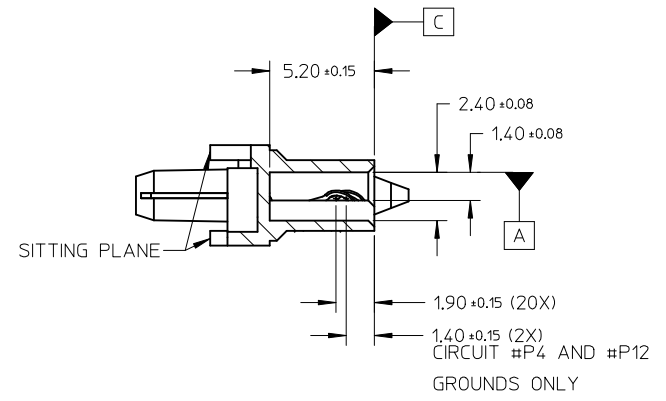
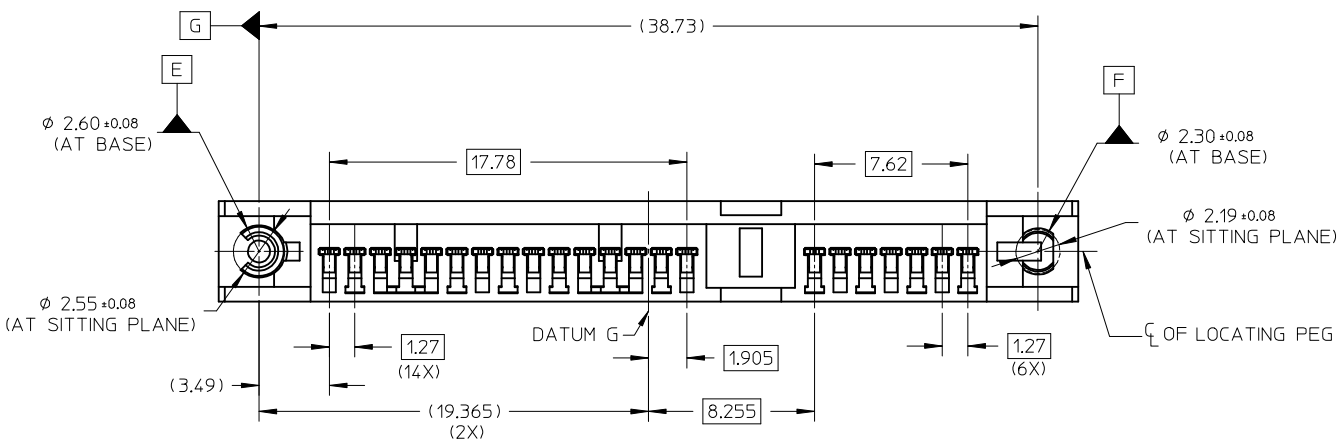
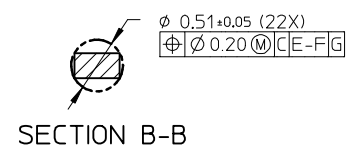
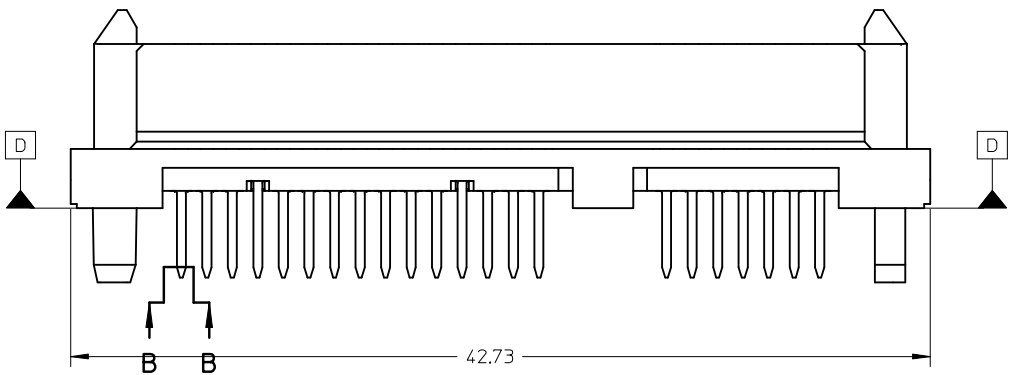


10 9 8 7 6 5 4 3 2 1

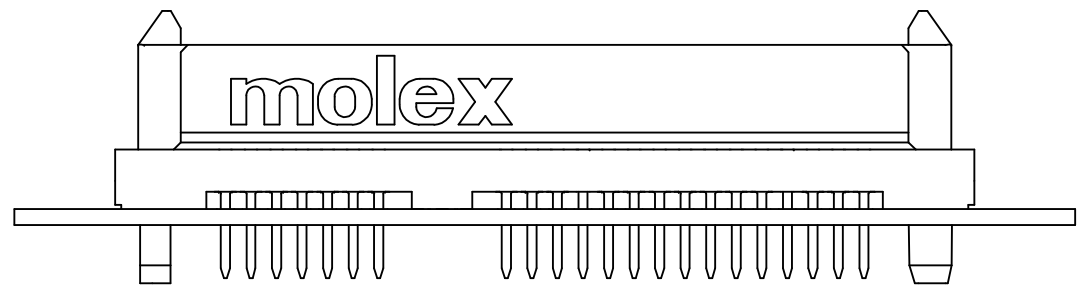
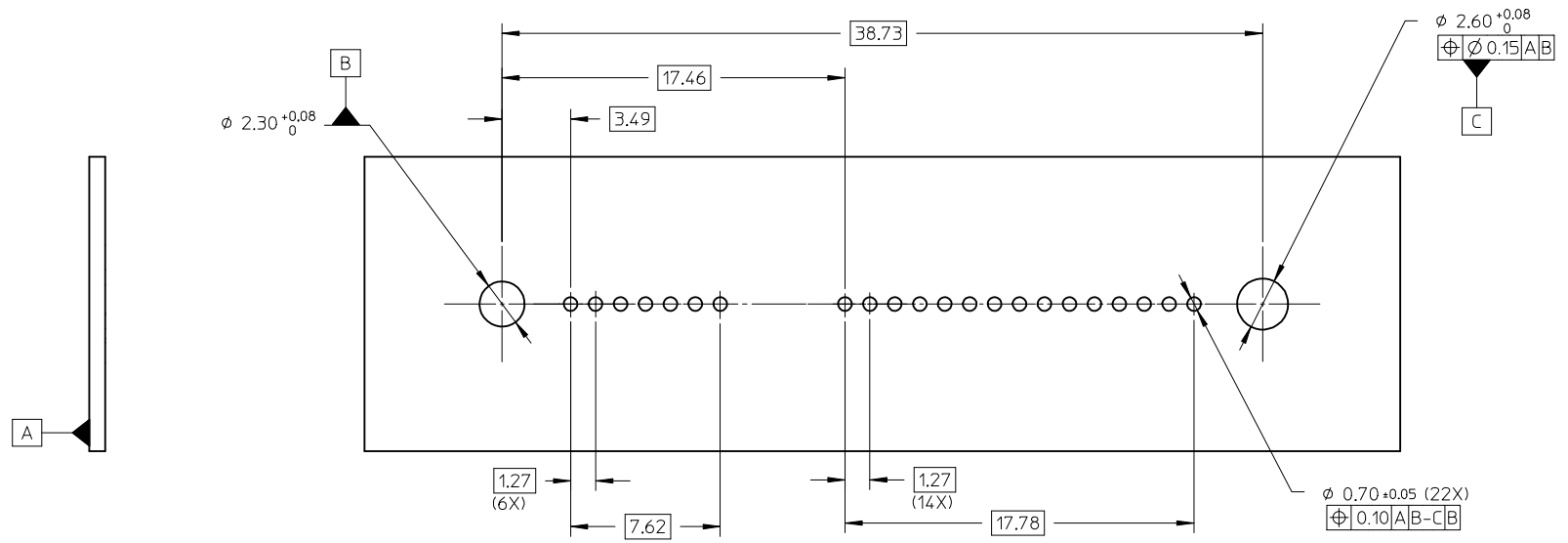


9 8 7 6 5 4 3 2 1

OBS TIN/LEAD P/N EC NO: S2006-0984 DRWN:MLONG 2006/04/04 CHKD:CGTAN 2006/04/04 APPR:KCLING 2006/04/04	DESCRIPTION REV	QUALITY SYMBOLS	GENERAL TOLERANCES (UNLESS SPECIFIED)	DIMENSION STYLE	SCALE	DESIGN UNITS	THIRD ANGLE PROJECTION	
		$\nabla = 0$ $\text{C} = 0$	mm INCH 4 PLACES ± --- ± --- 3 PLACES ± --- ± --- 2 PLACES ± 0.20 ± --- 1 PLACE ± --- ± --- ANGULAR ± 3 °	MM ONLY	NTS	METRIC		
			DRAFT WHERE APPLICABLE MUST REMAIN WITHIN DIMENSIONS	DRAWN BY: DKOH DATE: 2003/11/24 CHECKED BY: KCLING DATE: 2003/12/03 APPROVED BY: SKTOH DATE: 2003/12/03	TITLE	SERIAL ATA, BACKPLANE STD HEIGHT, RECEPT., T/H		
				MATERIAL NO. 87779-1001	MOLEX INCORPORATED DOCUMENT NO. SD-87779-020	SHEET NO. 2 OF 4		

THIS DRAWING CONTAINS INFORMATION THAT IS PROPRIETARY TO MOLEX INCORPORATED AND SHOULD NOT BE USED WITHOUT WRITTEN PERMISSION

10 9 8 7 6 5 4 3 2 1

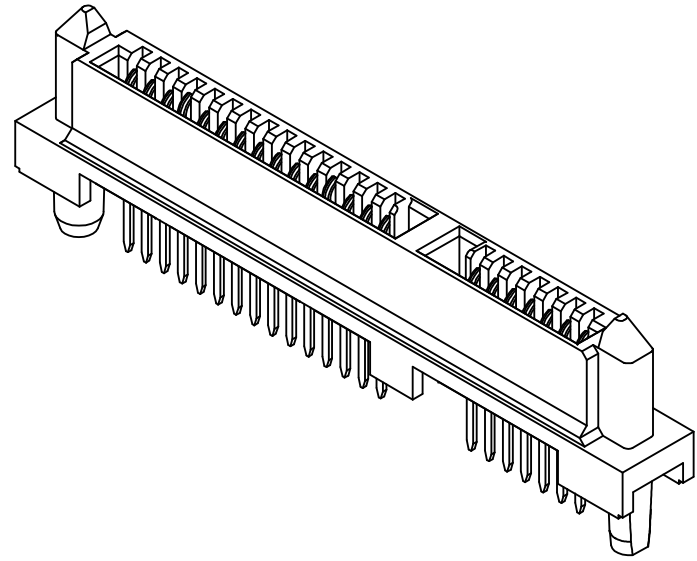
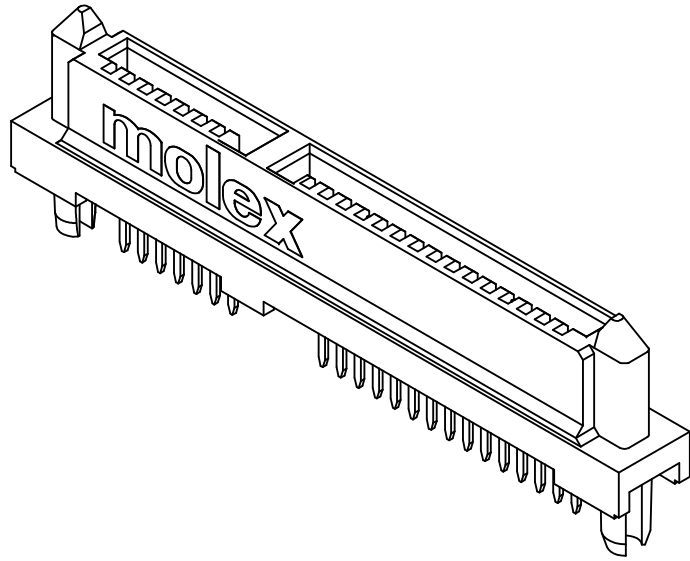


PCB THICKNESS: 0.80 TO 2.54mm
RECOMMENDED PCB LAYOUT

9 8 7 6 5 4 3 2 1

OBS TIN/LEAD P/N EC NO: S2006-0984 DRW:WJL/ONG 2006/04/04 CHKD:CGTAN 2006/04/04 APPR:KCL/ING 2006/04/04	QUALITY SYMBOLS ▽=0 ◻=0	GENERAL TOLERANCES (UNLESS SPECIFIED)		DIMENSION STYLE MM ONLY	SCALE NTS	DESIGN UNITS METRIC	THIRD ANGLE PROJECTION			
			mm	INCH	DRAWN BY DKOH	DATE 2003/11/24	TITLE SERIAL ATA, BACKPLANE STD HEIGHT, RECEPT., T/H			
		4 PLACES	± ---	± ---	CHECKED BY KCL/ING	DATE 2003/12/03	MOLEX MOLEX INCORPORATED			
		3 PLACES	± ---	± ---	APPROVED BY SKTOH	DATE 2003/12/03	MATERIAL NO. 87779-1001	DOCUMENT NO. SD-87779-020	SHEET NO. 3 OF 4	
			2 PLACES	± 0.20	± ---	DRAFT WHERE APPLICABLE MUST REMAIN WITHIN DIMENSIONS		SIZE A3	THIS DRAWING CONTAINS INFORMATION THAT IS PROPRIETARY TO MOLEX INCORPORATED AND SHOULD NOT BE USED WITHOUT WRITTEN PERMISSION	
			1 PLACE	± ---	± ---					
			ANGULAR ± 3 °							

10 9 8 7 6 5 4 3 2 1



OBS TIN/LEAD P/N EC NO: S2006-0984 DRWN:MLONG 2006/04/04 CHKD:CGTAN 2006/04/04 APPR:KCLING 2006/04/04	QUALITY SYMBOLS ▽=0 ⊕=0	GENERAL TOLERANCES (UNLESS SPECIFIED)		DIMENSION STYLE MM ONLY		SCALE NTS	DESIGN UNITS METRIC	THIRD ANGLE PROJECTION		
			mm	INCH	DRAWN BY DKOH	DATE 2003/11/24	TITLE SERIAL ATA, BACKPLANE STD HEIGHT, RECEPT., T/H			
		4 PLACES	± ---	± ---	CHECKED BY KCLING	DATE 2003/12/03	MATERIAL NO. 87779-1001			
		3 PLACES	± ---	± ---	APPROVED BY SKTOH	DATE 2003/12/03	DOCUMENT NO. SD-87779-020		SHEET NO. 4 OF 4	
			2 PLACES	± 0.20	± ---	THIS DRAWING CONTAINS INFORMATION THAT IS PROPRIETARY TO MOLEX INCORPORATED AND SHOULD NOT BE USED WITHOUT WRITTEN PERMISSION				
			1 PLACE	± ---	± ---					
			ANGULAR ± 3 °							
		DRAFT WHERE APPLICABLE MUST REMAIN WITHIN DIMENSIONS								

9 8 7 6 5 4 3 2 1