

10 9 8 7 6 5 4 3 2 1

F

E

D

C

B

A

F

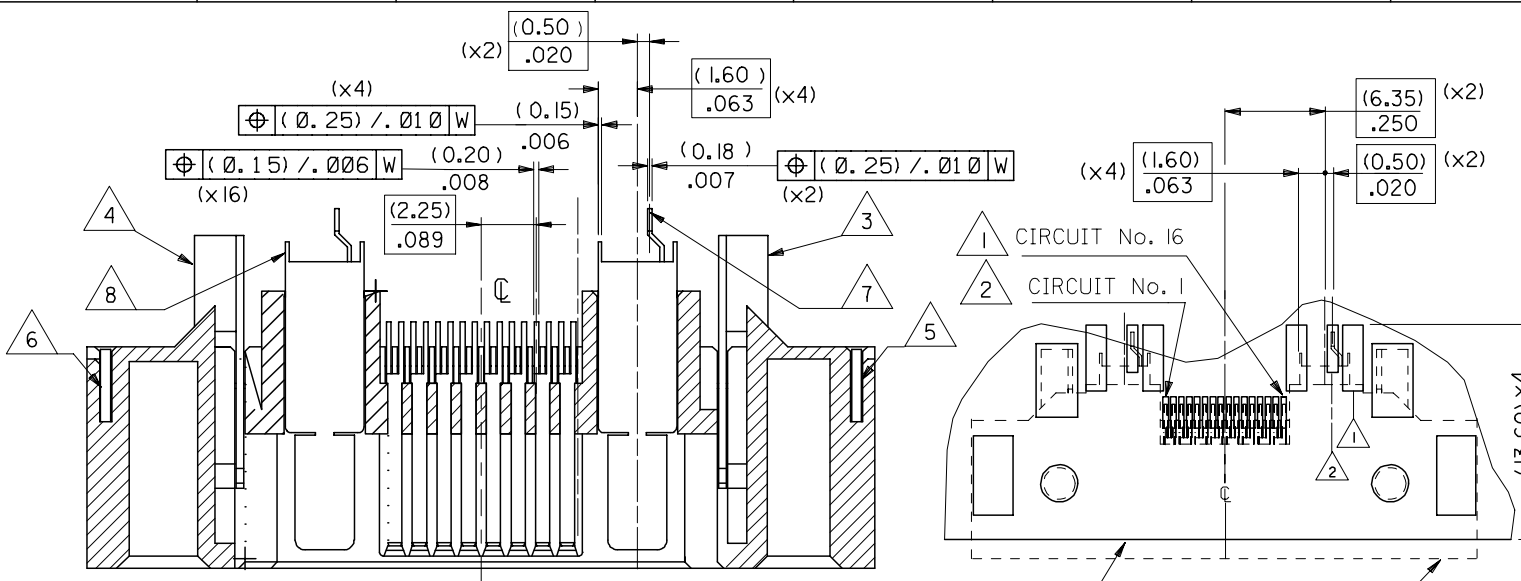
E

D

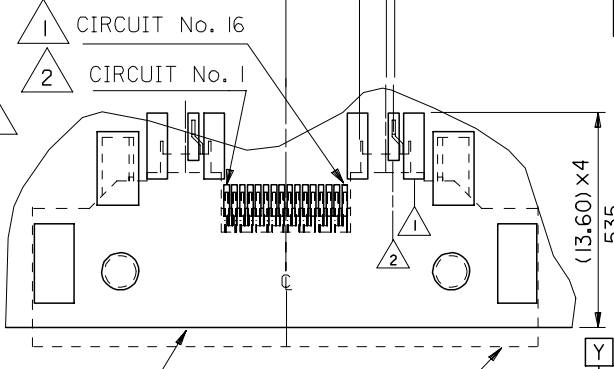
C

B

A



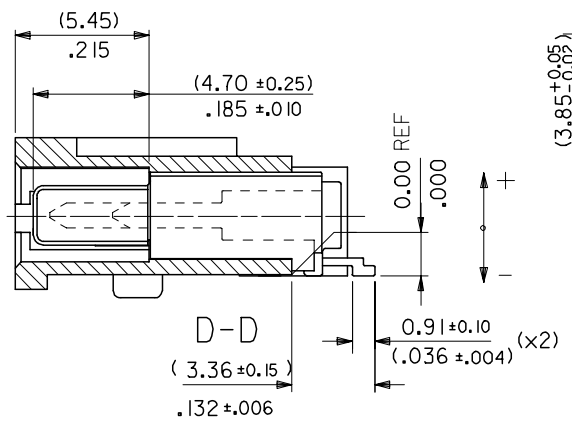
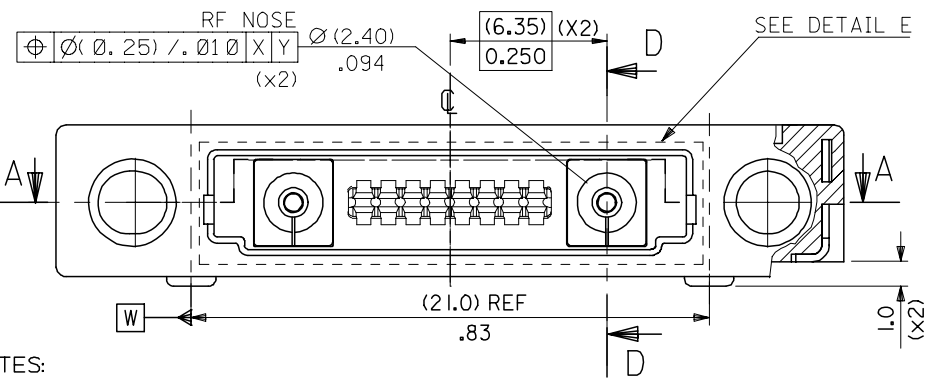
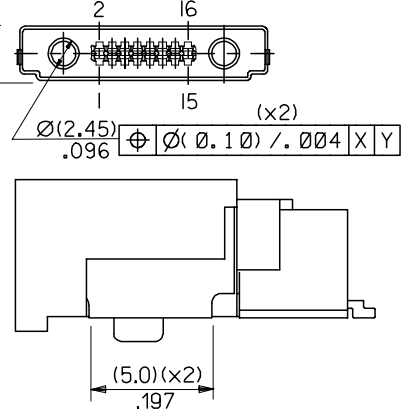
ITEM No	TAIL COPLANARITY	SEE NOTE
1 & 2	-0.075 +0.00 -0.10	3
3 & 4	0.00 +0.00 -0.125	3
5 & 6	0.00 +0.05 -0.10	3 & 4
7 (BEAM)	0.00 +0.00 -0.15	3
8 (SHIELD)	0.00 +0.00 -0.125	3



A-A

FRONT OF PCB CONNECTOR OUTLINE

DETAIL E



- NOTES:
- FOR MISSING DIMENSIONS AND NOTES SEE DRAWING SDA-90811-2121
  - COMPONENT PACKAGING :TO BE PACKED IN EMBOSSED TAPE SEE SDA-90811-9001 SH3
  - ALL SMT TAILS TO LIE WITHIN A COPLANARITY BAND OF (0.0)/.0 - (0.13)/.005 FROM EACH OTHER. ALL TAILS, EXCEPT RETENTION PADS ARE BELOW THE HOUSING.
  - RETENTION PAD COPLANARITY BAND IS (0.05)/.002 ABOVE THE HOUSING - (0.10)/.004 BELOW THE HOUSING.

COMPONENT	PCB PAD DIMENSION	QTY
OUTER CO-AX CONDUCTOR	(1.30)/.051 x (4.2)/.167 ⊕ (0.10) / .004 R	(x4)
CENTRE CO-AX CONDUCTOR	(0.70)/.028 x (3.0)/.118 ⊕ (0.10) / .004 R	(x2)

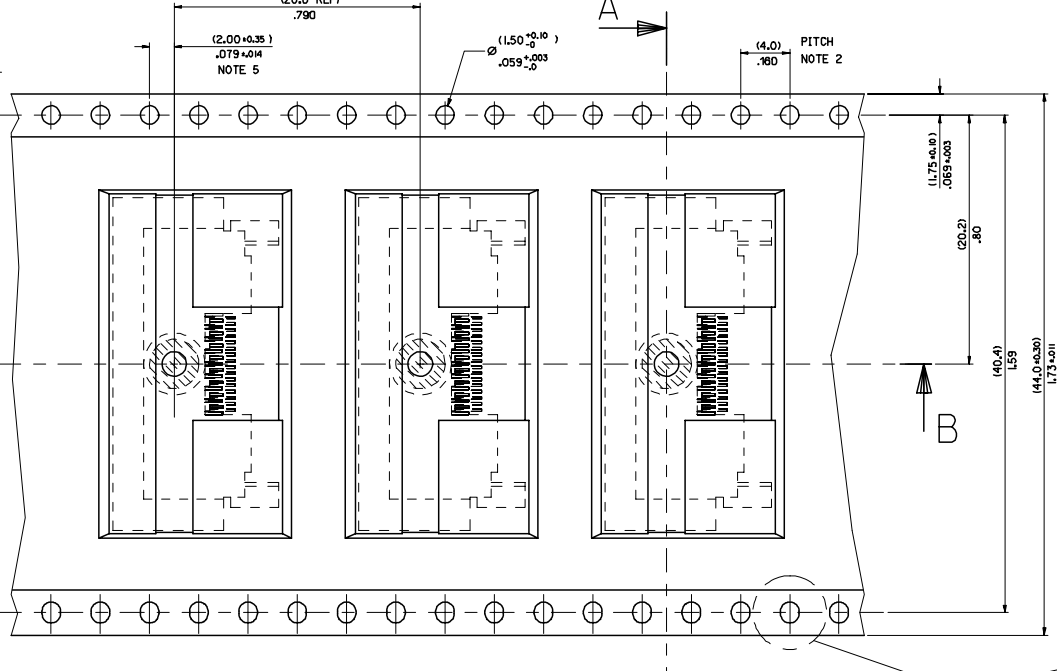
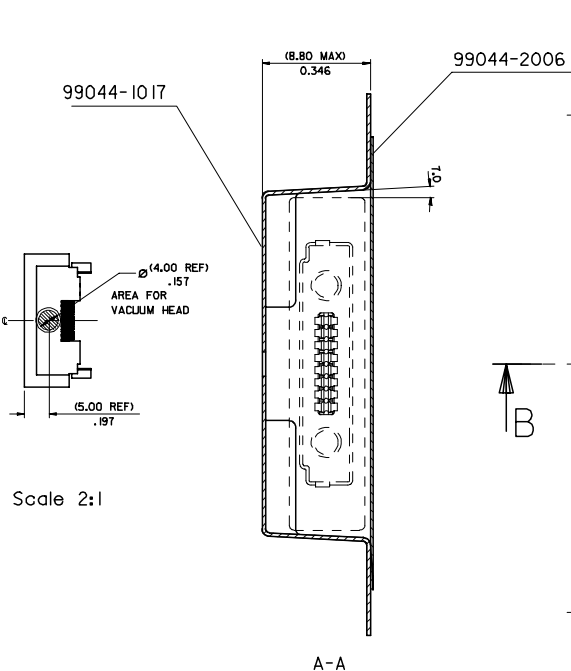
MODIFIED DIM 11	2006/02/03	QUALITY SYMBOLS
EC NO: E2005-1192	2006/02/06	▽=0
DRWN: FUGGAN	2006/02/15	∇=0
CHKD:		
APPR: EFULAN		
REV	DESCRIPTION	

GENERAL TOLERANCES (UNLESS SPECIFIED)	
mm	INCH
4 PLACES ± ---	± ---
3 PLACES ± ---	± ---
2 PLACES ± 0.05	± ---
1 PLACE ± 0.1	± ---
ANGULAR ± 2 °	

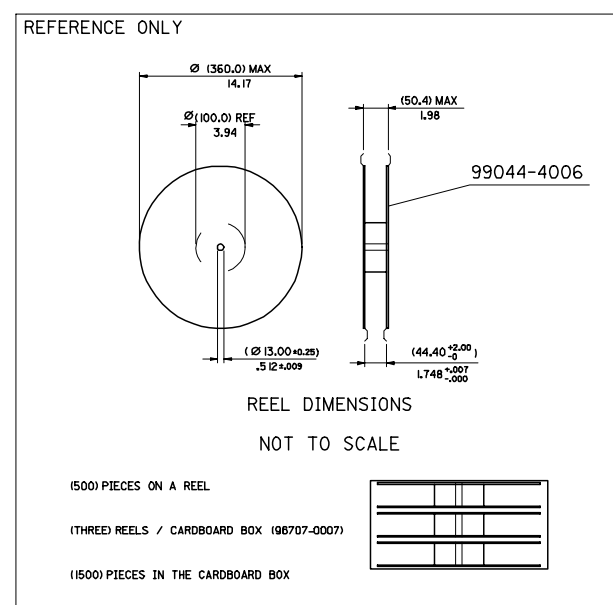
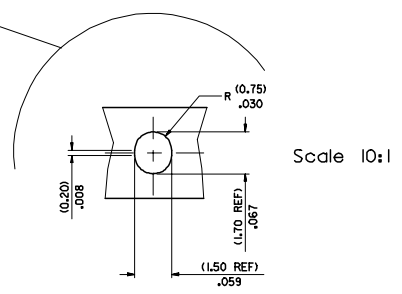
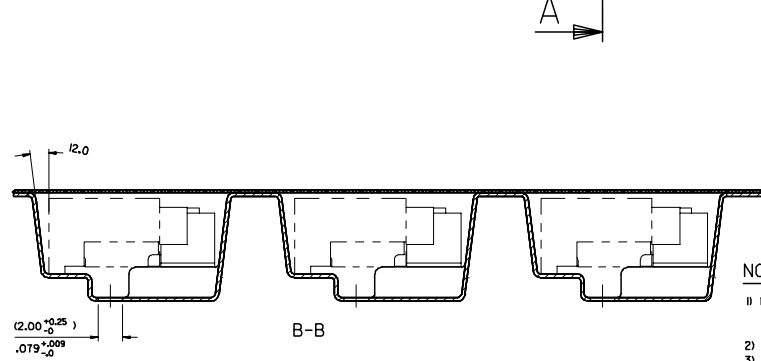
DIMENSION STYLE	
MM ONLY	
DRAWN BY	DATE
JDW	2002/06/26
CHECKED BY	DATE
JDW	2002/06/26
APPROVED BY	DATE
MW	2002/06/26
MATERIAL NO.	90811-2130

SCALE	DESIGN UNITS	THIRD ANGLE PROJECTION
5:1	METRIC	☉
TITLE		
1MM PITCH I/O RCPT 16CKT W/UNSWITCHED RF		
MOLEX MOLEX INCORPORATED		
DOCUMENT NO.	SDA-90811-2130	SHEET NO.
		1 OF 1
DRAFT WHERE APPLICABLE MUST REMAIN WITHIN DIMENSIONS		
THIS DRAWING CONTAINS INFORMATION THAT IS PROPRIETARY TO MOLEX INCORPORATED AND SHOULD NOT BE USED WITHOUT WRITTEN PERMISSION		

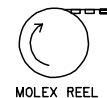
9 8 7 6 5 4 3 2 1



DIRECTION OF UNREELING →



TO CUSTOMER ASSEMBLY MACHINE →



COMPONENT	DESCRIPTION
90811-2001	MOBILE PHONE I/O CONNECTOR

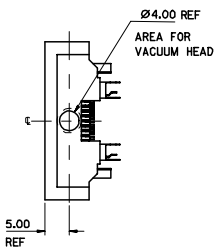
- NOTES:
- MATERIAL :  
CARRIER TAPE : VOLUME CONDUCTIVE POLYCARBONATE , (0.37) .014 REF THICK , BLACK  
COVER TAPE : COLD SEAL POLYESTER , (0.06) .002 REF THICK , TRANSPARENT
  - PITCH TOLERANCE OVER ANY 10 PITCHES ±(0.2) .008
  - PEEL FORCE OF THE COVER TAPE IS 0.1N TO 1.0N  
AT A MAXIMUM PEEL SPEED OF (300) 1.81mm/min ±10%
  - REFERENCE TO IEC 286-3 EXCEPT WHERE SPECIFIED

QUALITY SYMBOLS	GENERAL TOLERANCES (UNLESS SPECIFIED)		DIMENSION STYLE		SCALE	DESIGN UNITS	THIRD ANGLE PROJECTION	
	mm	INCH	MM/IN	MM/IN	S:1	METRIC		
▽=0	4 PLACES ±	±			DRAWN BY	DATE	TITLE	
▽=0	3 PLACES ±	±			TM	1996/05/10	BLISTER PACKAGING FOR MOBILE PHONE HANDSET	
	2 PLACES ±	±0.10			CHECKED BY	DATE		
	1 PLACE ±	±0.2			MW	1996/05/10		
	ANGULAR ± .5°				APPROVED BY	DATE		
					MW	1996/05/10		
DRAFT WHERE APPLICABLE MUST REMAIN WITHIN DIMENSIONS			MATERIAL NO.		DOCUMENT NO.		SHEET NO.	
			SEE CHART		SDA-90811-9001		1 OF 3	

THIS DRAWING CONTAINS INFORMATION THAT IS PROPRIETARY TO MOLEX INCORPORATED AND SHOULD NOT BE USED WITHOUT WRITTEN PERMISSION

20 19 18 17 16 15 14 13 12 11 10 9 8 7 6 5 4 3 2 1

COMPONENT DETAIL  
(W/UNSWITCHED RF)

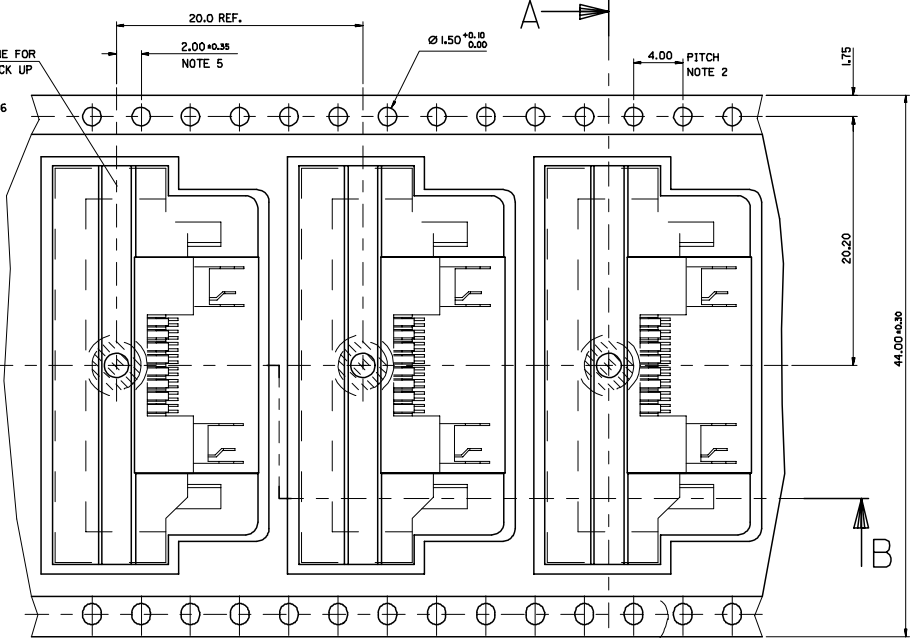


SCALE 2:1

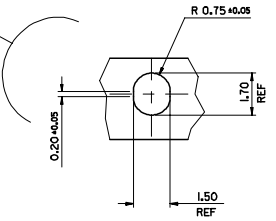
99044-1066

CENTRE LINE FOR VACUUM PICK UP

99044-5006

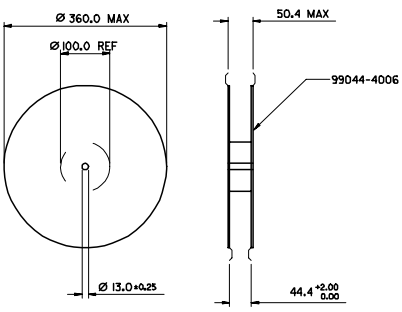


DIRECTION OF UNREELING



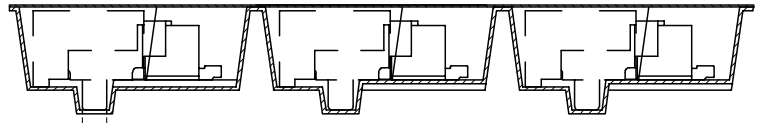
SCALE 10:1

REFERENCE ONLY

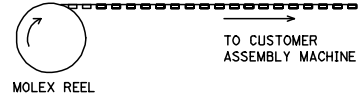


REEL DIMENSIONS  
DO NOT SCALE

(400) PIECES / REEL (SUBJECT TO CHANGE)  
(THREE) REELS / CARDBOARD BOX (96707-0007)  
(1200) PIECES / CARDBOARD BOX (SUBJECT TO CHANGE)



B - B



MOLEX REEL

NOTES:

- MATERIAL :  
CARRIER TAPE : VOLUME CONDUCTIVE POLYSTYRENE , 0.4 REF THICK , BLACK  
COVER TAPE : COLD SEAL POLYESTER , 0.06 REF THICK, TRANSPARENT
- PITCH TOLERANCE OVER ANY 10 PITCHES ±0.2
- PEEL FORCE OF THE COVER TAPE IS 0.1N TO 1.0N  
AT A MAXIMUM PEEL SPEED OF 300mm/min ±10%.
- REFERENCE TO IEC 286-3 EXCEPT WHERE NOTED

COMPONENT	DESCRIPTION
90811-2129	MOBILE PHONE I/O CONNECTOR
90811-2130	1mm Pitch I/O Rpt 16Ckt W/RF
90811-2131	1mm Pitch I/O Rpt 16Ckt W/O RF

ADDED PART NO ECHANGE 2007-0458 2007/05/08 DRIVING DUGGAN 2007/05/13 CHECKED APPR-EPOLAN 2007/05/16 REV	QUALITY SYMBOLS ▽=0 ▽=0	GENERAL TOLERANCES (UNLESS SPECIFIED) <table border="1"> <thead> <tr> <th></th> <th>mm</th> <th>INCH</th> </tr> </thead> <tbody> <tr> <td>4 PLACES ±</td> <td>---</td> <td>---</td> </tr> <tr> <td>3 PLACES ±</td> <td>---</td> <td>---</td> </tr> <tr> <td>2 PLACES ±</td> <td>0.10</td> <td>---</td> </tr> <tr> <td>1 PLACE ±</td> <td>0.2</td> <td>---</td> </tr> </tbody> </table> ANGULAR ± 5°		mm	INCH	4 PLACES ±	---	---	3 PLACES ±	---	---	2 PLACES ±	0.10	---	1 PLACE ±	0.2	---	DIMENSION STYLE MM ONLY	SCALE S:1	DESIGN UNITS METRIC	THIRD ANGLE PROJECTION
		mm	INCH																		
4 PLACES ±	---	---																			
3 PLACES ±	---	---																			
2 PLACES ±	0.10	---																			
1 PLACE ±	0.2	---																			
DRAWN BY T. MAHON 1998/06/16 DATE CHECKED BY DBRENNAN 1998/06/16 DATE APPROVED BY MILWHITE 1998/06/16 DATE	TITLE BLISTER PACKAGING FOR MOBILE PHONE HANDSET		MATERIAL NO. SDA-90811-9001	DOCUMENT NO.	SHEET NO. 3 OF 3	MOLEX INCORPORATED															

DRAFT WHERE APPLICABLE MUST REMAIN WITHIN DIMENSIONS  
 THIS DRAWING CONTAINS INFORMATION THAT IS PROPRIETARY TO MOLEX INCORPORATED AND SHOULD NOT BE USED WITHOUT WRITTEN PERMISSION