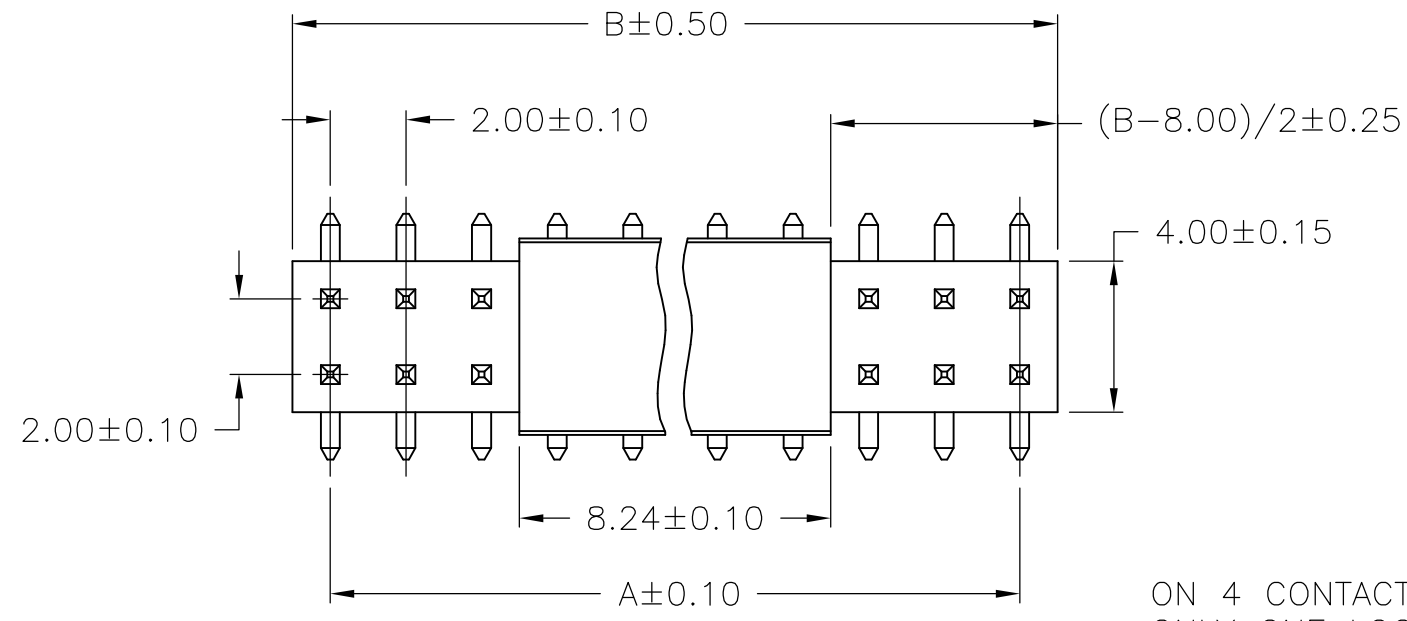


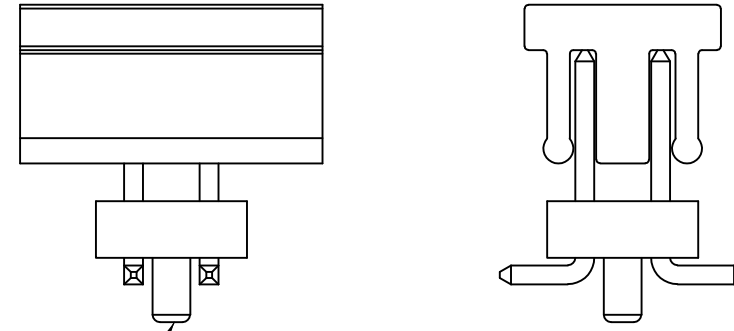
THIS DRAWING IS UNPUBLISHED. RELEASED FOR PUBLICATION
 © COPYRIGHT BY TYCO ELECTRONICS CORPORATION. ALL INTERNATIONAL RIGHTS RESERVED.

LOC		DIST		REVISIONS			
P	LTR	DESCRIPTION		DATE	DWN	APVD	
-	-	A	RELEASED	04SEP09	DH	DB	

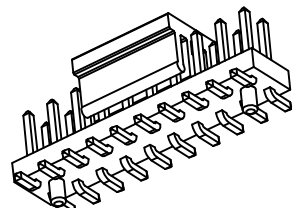
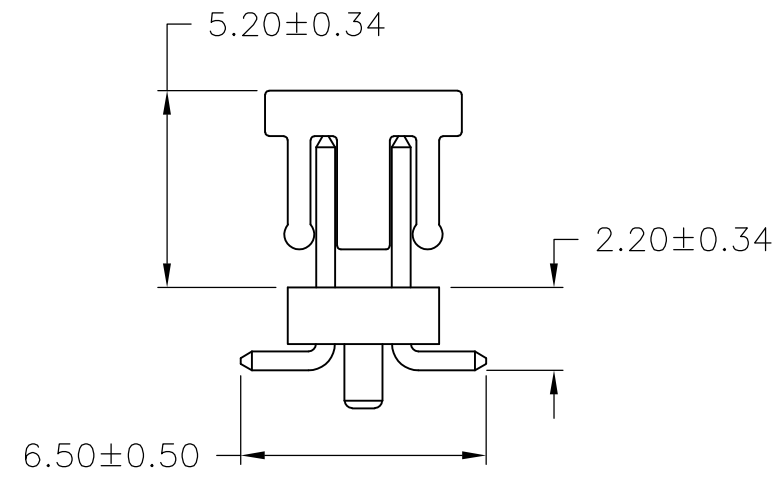
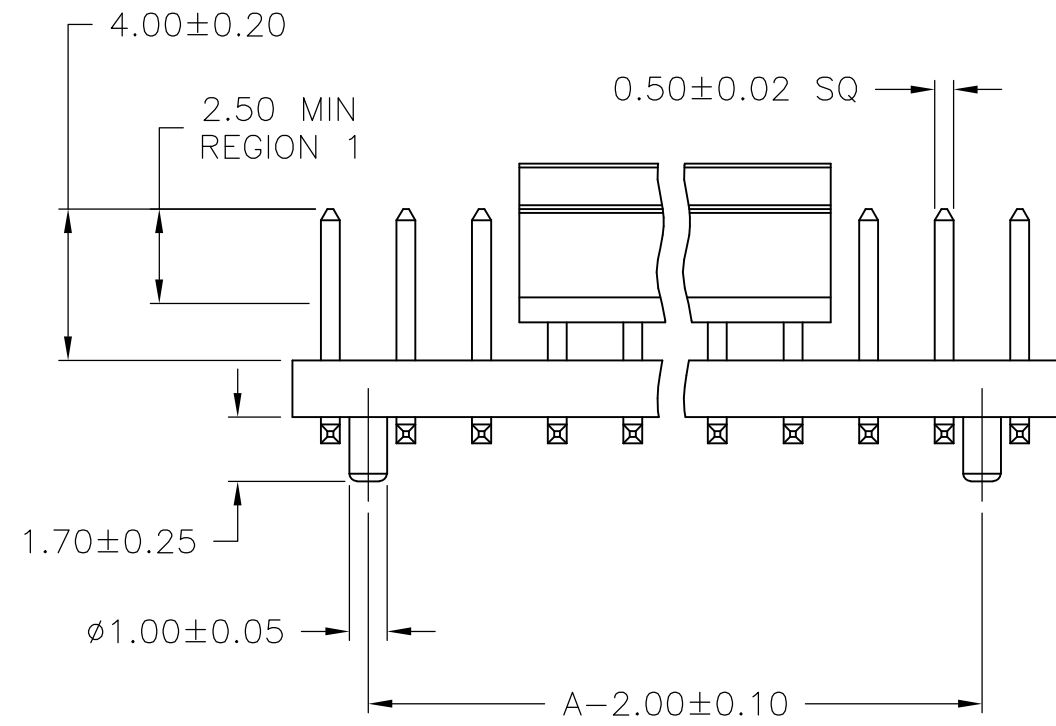
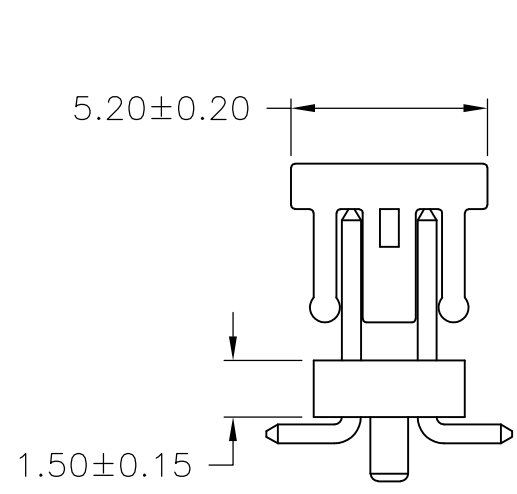
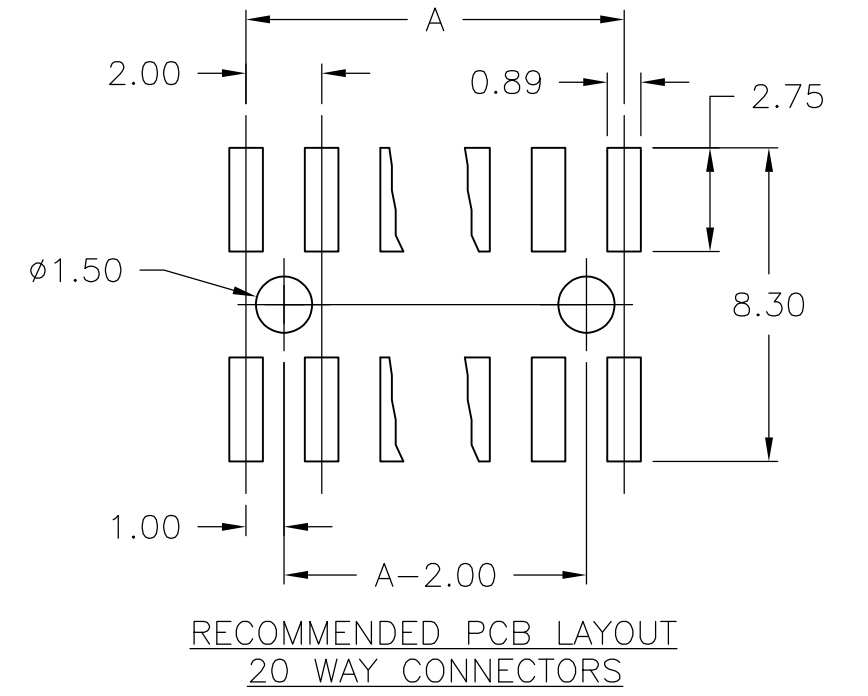
1 PACKAGED PER EIA-481 SPECIFICATION.



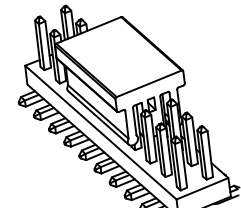
NOTE: ON POSITION SIZES 4 THRU 8, CAP LENGTH WILL BE ≥ TO PART LENGTH



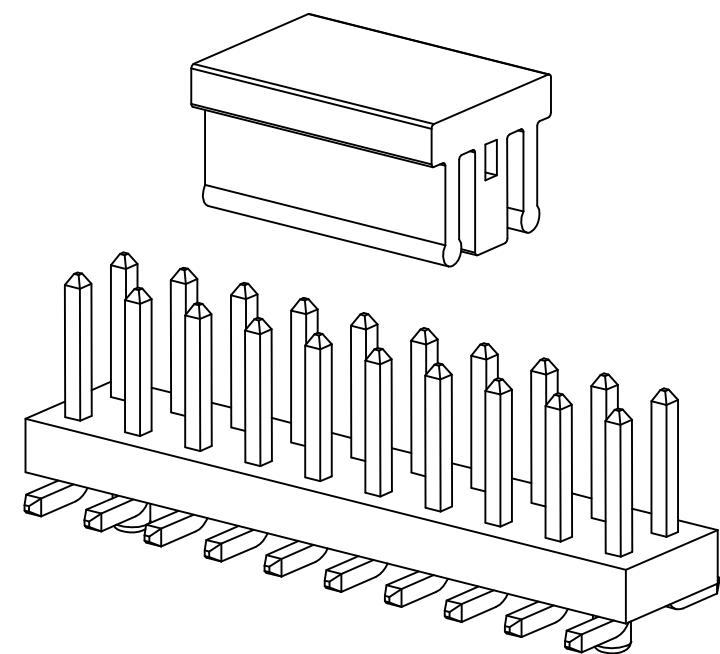
ON 4 CONTACT CONNECTOR ONLY ONE LOCATION PEG



SCALE 2:1



SCALE 2:1



SCALE 5:1

20.00	18.00	44	1-2110423-0	20	30μ" Au	1-2110424-0
DIM B	DIM A	POCKET TAPE WIDTH	CONNECTOR PART NUMBER	NO. OF CONTACTS	FINISH THICKNESS	PART NUMBER

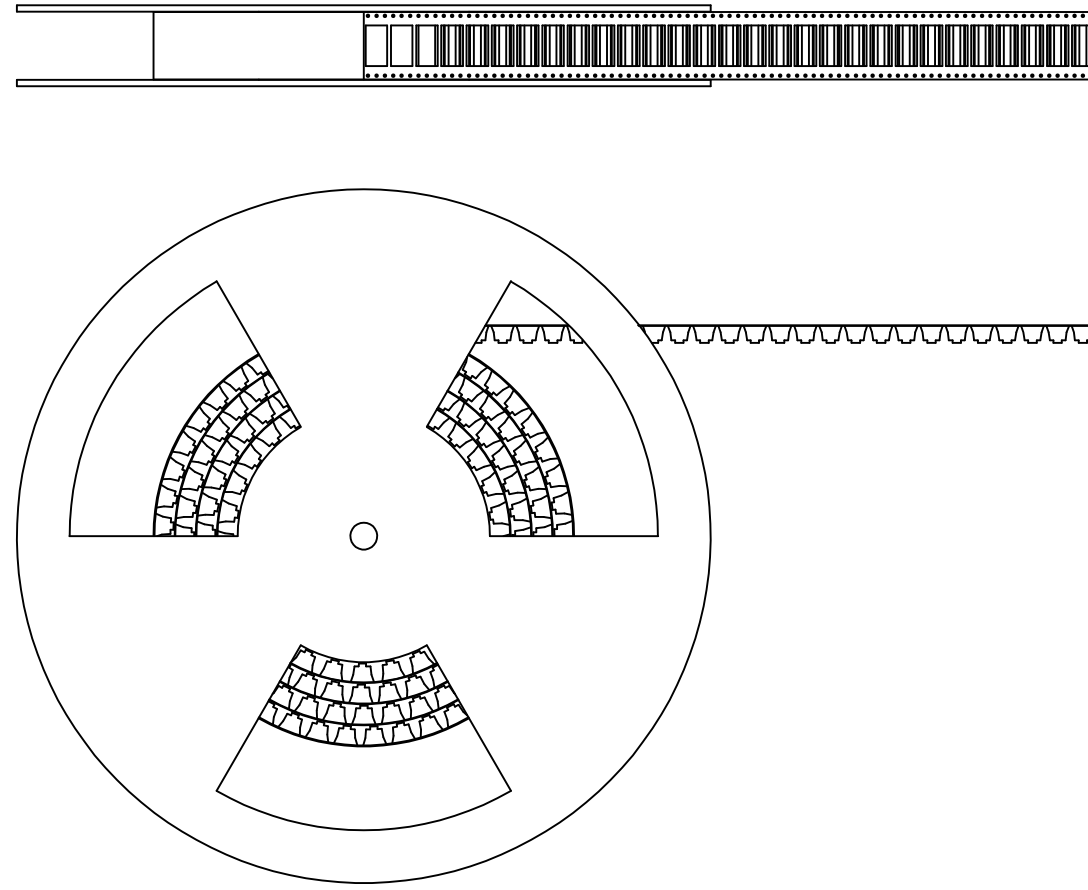
THIS DRAWING IS A CONTROLLED DOCUMENT.		DWN 04SEP2009 D.HUMBERT	Tyco Electronics Corporation Harrisburg, PA 17105-3608			
DIMENSIONS: mm		CHK 04SEP2009 D. BRATINA	AMP MODU PIN VERT MOUNT SMC TAPE AND REEL WITH PEG			
TOLERANCES UNLESS OTHERWISE SPECIFIED:		APVD 04SEP2009 D. BRATINA	NAME			
0 PLC ± -		PRODUCT SPEC	SIZE CAGE CODE DRAWING NO RESTRICTED TO			
1 PLC ± -		APPLICATION SPEC	A2 00779 C=2110424			
2 PLC ± -		WEIGHT -	SCALE 5:1 SHEET 1 of 2 REV A			
3 PLC ± -		CUSTOMER DRAWING				
4 PLC ± -						
ANGLES ± -						
FINISH -						

2110424

THIS DRAWING IS UNPUBLISHED. RELEASED FOR PUBLICATION
 © COPYRIGHT BY TYCO ELECTRONICS CORPORATION. ALL INTERNATIONAL RIGHTS RESERVED.

LOC		DIST		REVISIONS			
P	LTR	DESCRIPTION	DATE	DWN	APVD		
-	-	SEE SHEET 1	-	-	-		

REELING ORIENTATION
 20 WAY CONNECTORS



THIS DRAWING IS A CONTROLLED DOCUMENT.		DWN D.HUMBERT 04SEP2009	Tyco Electronics Corporation Harrisburg, PA 17105-3608	
DIMENSIONS: mm		CHK D. BRATINA 04SEP2009		
		APVD D. BRATINA 04SEP2009	NAME AMP MODU PIN VERT MOUNT SMC TAPE AND REEL WITH PEG	
TOLERANCES UNLESS OTHERWISE SPECIFIED: 0 PLC ± - 1 PLC ± - 2 PLC ± - 3 PLC ± - 4 PLC ± - ANGLES ± -		PRODUCT SPEC -	RESTRICTED TO -	
MATERIAL -		FINISH -	WEIGHT -	SCALE A2 00779 C=2110424
CUSTOMER DRAWING			SCALE 5:1	SHEET 2 of 2
			REV A	

2110424