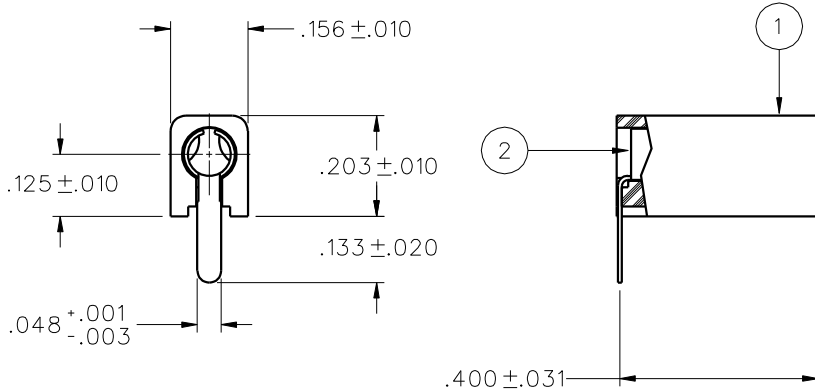
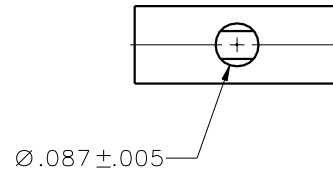
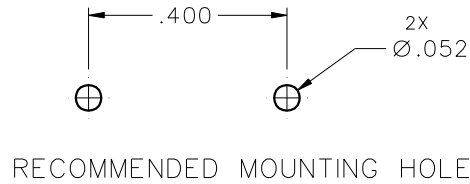


| PART NUMBER | ITEM ① | | ITEM ② |
|--------------|--------|--------|---------------------------|
| | BODY | COLOR | CONTACT |
| 105-0751-150 | NYLON | WHITE | COPPER ALLOY 688 |
| 105-0752-150 | | RED | GOLD PL .00001 MIN OVER |
| 105-0753-150 | | BLACK | NICKEL PL .00005 MIN OVER |
| 105-0754-150 | | GREEN | COPPER PL .00001 MIN |
| 105-0755-150 | | | |
| 105-0756-150 | | ORANGE | |
| 105-0757-150 | | YELLOW | |
| 105-0758-150 | | BROWN | |
| 105-0759-150 | | | |
| 105-0760-150 | | BLUE | |
| 105-0761-150 | | | |
| 105-0762-150 | | VIOLET | |
| 105-0763-150 | | GRAY | |
| 105-0764-150 | | | |
| 105-0765-150 | | | |
| 105-0766-150 | | | |
| 105-0767-150 | | | |
| 105-0768-150 | | | |
| 105-0769-150 | | | |
| 105-0770-150 | | | |



NOTES:
SPECIFICATIONS:
ELECTRICAL:

CURRENT RATING: 5 AMPS DC MINIMUM
DIELECTRIC WITHSTANDING VOLTAGE: 2100 VRMS MIN AT SEA LEVEL
RECOMMENDED WORKING VOLTAGE: 1500 VRMS MAX AT SEA LEVEL
350 VRMS MAX AT 50,000 FEET
INSULATION RESISTANCE: 5000 MEGOHMS MIN
CONTACT RESISTANCE: 5 MILLIOHMS MAXIMUM
CAPACITANCE: 1 PF NOMINAL

MECHANICAL:

INSERTION/WITHDRAWAL FORCE: 0.5 - 5.0 POUNDS
CONTACT RETENTION IN INSULATOR FORCE: NOT APPLICABLE
CONTACT RETENTION IN INSULATOR TORQUE: NOT APPLICABLE
INSULATOR RETENTION IN .062 PANEL FORCE: NOT APPLICABLE
INSULATOR RETENTION IN SLEEVE FORCE: NOT APPLICABLE
INSULATOR RETENTION IN PANEL TORQUE: NOT APPLICABLE
PLASTIC MOUNTING THREAD STRIPPING TORQUE: NOT APPLICABLE
RESISTANCE TO TEST PROBE DAMAGE TORQUE: 2 IN LB MIN
MATING TIP PLUG DIAMETER: .080
DURABILITY: 500 CYCLES MINIMUM

ENVIRONMENTAL:

(MEETS OR EXCEEDS THE APPLICABLE PARAGRAPH OF MIL-PRF-39024)
OPERATING TEMPERATURE: -55 DEG C TO 75 DEG C
TEMPERATURE RISE AT RATED CURRENT: 10 DEG C MAXIMUM
CORROSION: MIL-STD-1344, METHOD 1001, CONDITION B
SHOCK: MIL-STD-1344, METHOD 2004, CONDITION G
VIBRATION: MIL-STD-1344, METHOD 2005, CONDITION I
HUMIDITY: MIL-STD-1344, METHOD 1002, CONDITION B

DRAWING NO.

B - 105-0751/0770-150

0 REVISIONS

REVISED AND REDRAWN. DRAWING WAS "C" SIZE 105-0751/0770-001/501 DATED 3-29-88. SPLIT INTO 8 SEPERATE DWGS. CREATED SHEET 2.

* REVISION NUMBER FOLLOWED BY AN ALPHA *
* CHARACTER INDICATES DRAWING CLARIFI- *
* CATION OR PART NUMBER ADDITION ONLY. *


13c 2-10-03 R H J B ECN 48700

CUSTOMER DRAWING

THIS DRAWING TO BE INTERPRETED PER ANSII 14.5M - 1982

"μ STATION"

COMPANY CONFIDENTIAL

| TOLERANCE UNLESS OTHERWISE SPECIFIED | | DRAWN BY | DATE |  Cinch Connectivity Solutions P.O. Box 1732 Waseca, MN 56093 1-800-247-8256 |
|--------------------------------------|----|--------------------|-----------------|--|
| DECIMALS | mm | RJB | 12-19-02 | |
| .XX | | CHECKED BY | DATE | TITLE TIP JACK, STANDARD HORIZONTAL PC MOUNT FOR .080 DIA PLUG |
| .XXX | | APPROVED BY RJB | DATE 2-12-03 | |
| MATL | | APPROVED BY | DATE | CODE NO. |
| FINISH | | RELEASE DATE | | DRAWING NO. B - 105-0751/0770-150 |
| | | SCALE 4:1 | U/M INCH | SHEET 2 OF 2 |