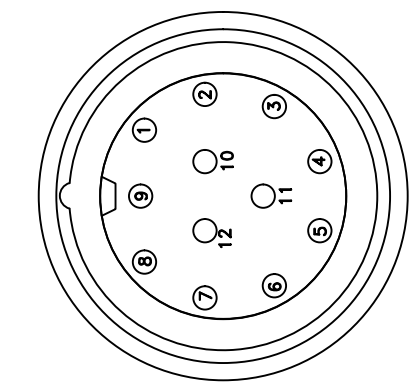
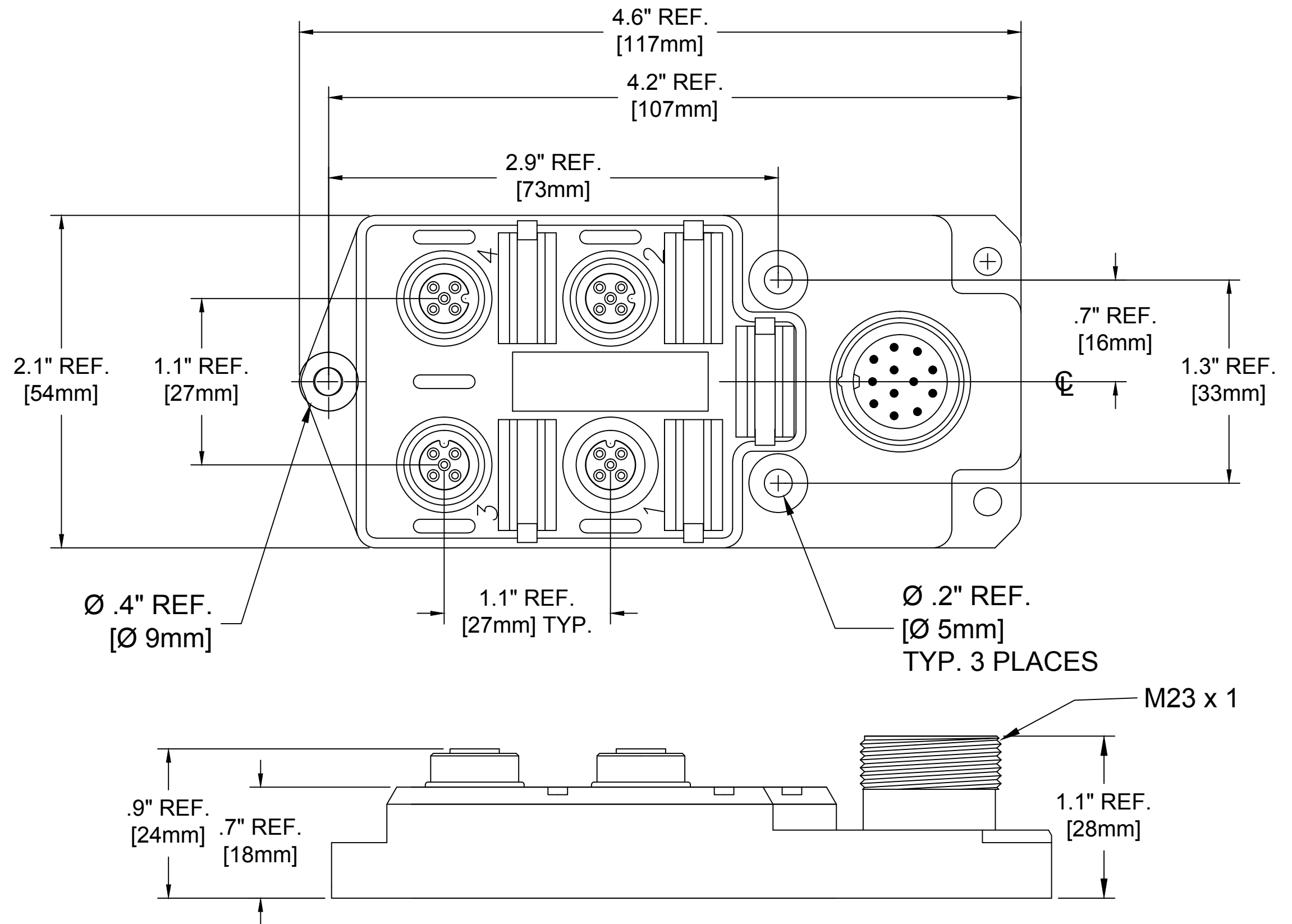
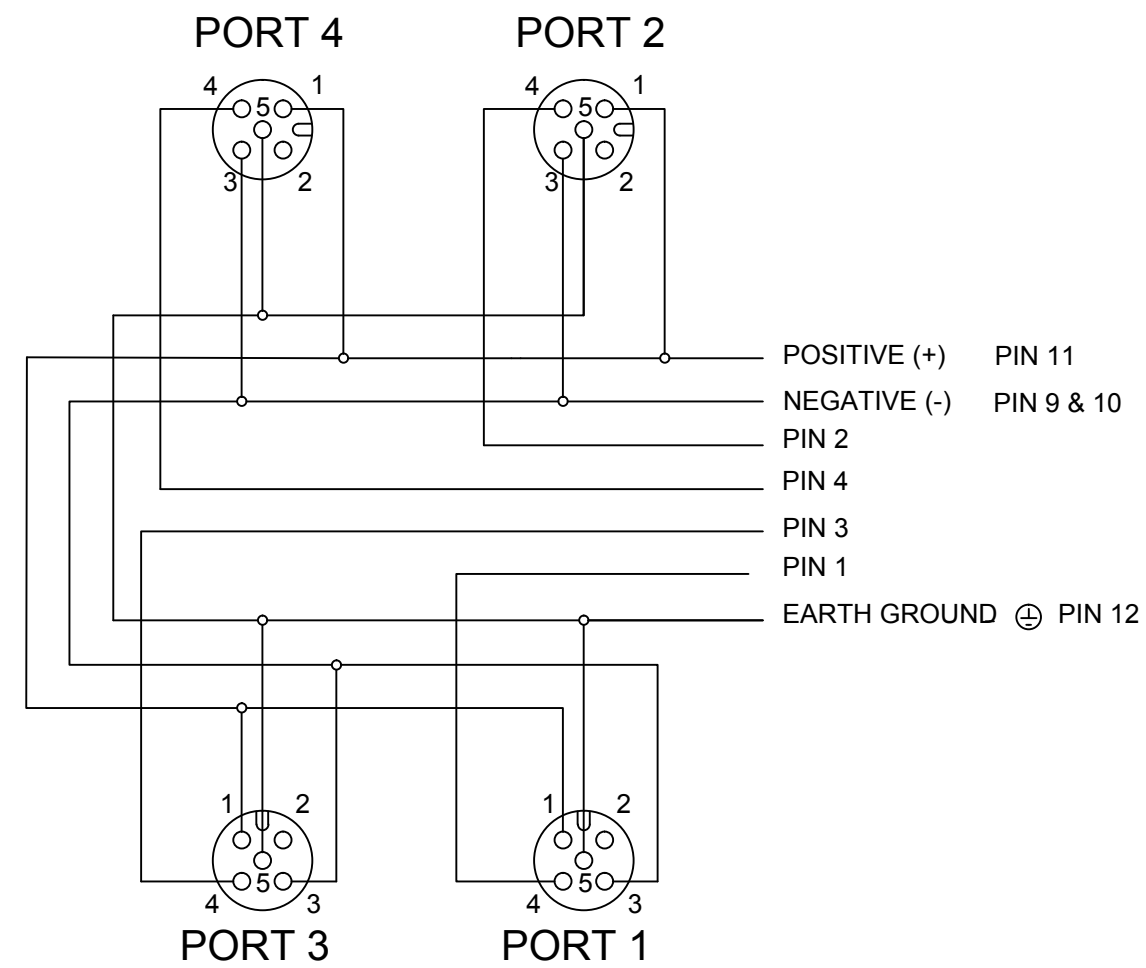


13	12	11	10	9	8	7	6	5	4	3	2	1
MATERIAL NUMBER	OLD PART NUMBER											
1200550308	BTY4010-FBC											



MALE FACE VIEW
NOTE-PINS 5,6,7, 8 NOT USED

CONTACT:	GOLD/NICKEL OVER COPPER ALLOY
□-RING:	FPM, RED
HOUSING:	PBT, YELLOW
VOLTAGE RATING:	10-30V DC MAX
AMPERAGE RATING:	MODULE-12A MAX PORT-4A MAX
PROTECTION:	IP67
OPERATING TEMPERATURE:	-5°C TO 80°C

RELEASED EC NO: IFC2014-0871 DRWN: GGUSTAFS 2013/09/27 CH'KD: BARDEN APPR: BWOODMAN2013/11/20	QUALITY SYMBOL	GENERAL TOLERANCES (UNLESS SPECIFIED)		DIMENSION STYLE IN/MM		SCALE NTS	DESIGN UNITS INCH	THIRD ANGLE PROJECTION	
	▽=0 ∇=0	mm	INCH	DRAWN BY	DATE	TITLE			
		4 PLACES ±---	±---	GGUSTAFS	2013/09/27	4 PORT MIC MPIS TOP MOUNT NO LEDS 12 POLE MALE M23			
		3 PLACES ±---	±.005	BARDEN	2013/11/21				
	2 PLACES ±0.13	±.010	BWOODMAN	2013/11/20	MOLEX INCORPORATED				
	1 PLACE ±0.25	±.020	ANGULAR ±.5°			MATERIAL NO.	DOCUMENT NO.	SHEET NO.	
		DRAFT WHERE APPLICABLE MUST REMAIN WITHIN DIMENSIONS		SEE CHART		SD-120055-002	1 OF 1		
		THIS DRAWING CONTAINS INFORMATION THAT IS PROPRIETARY TO MOLEX INCORPORATED AND SHOULD NOT BE USED WITHOUT WRITTEN PERMISSION							