

MATERIAL NUMBER

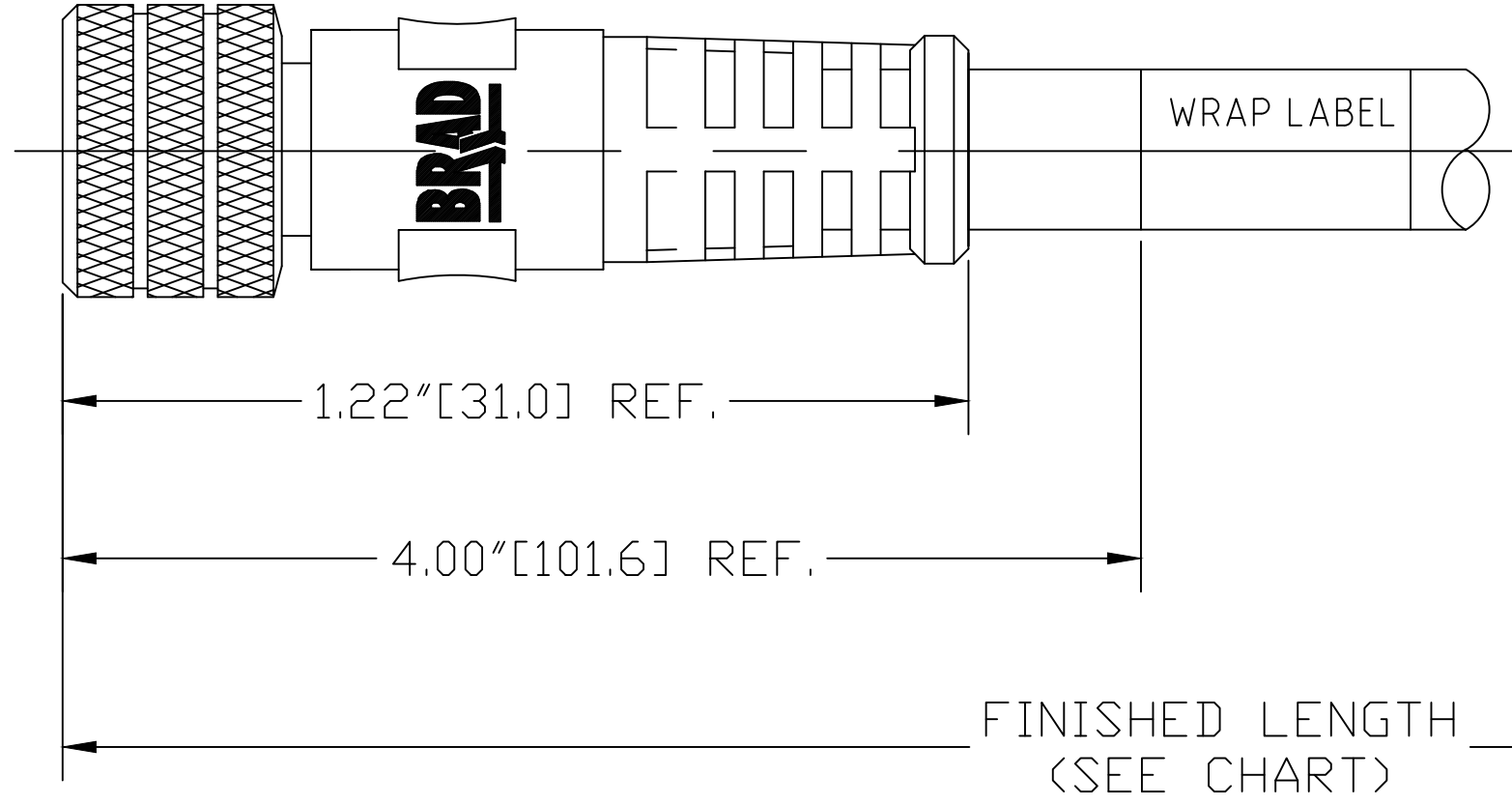
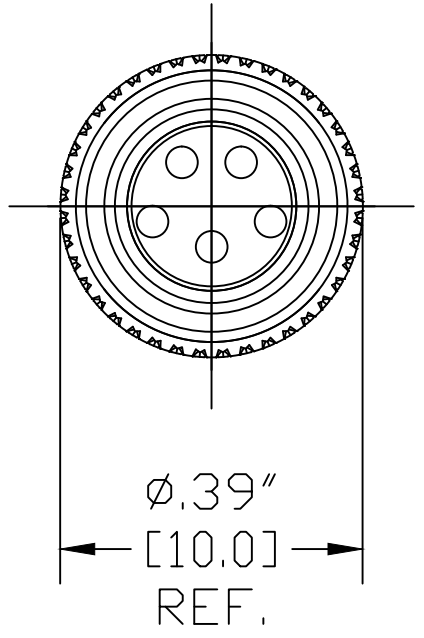
OLD PART NUMBER

FINISHED LENGTH

120087-0290

445032A10M010

3.28' +2.19" -0 [1.0M +55.6mm -0]

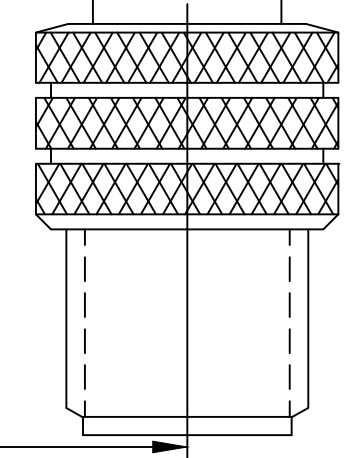


1.04" [26.5] REF.

1.22" [31.0] REF.

4.00" [101.6] REF.

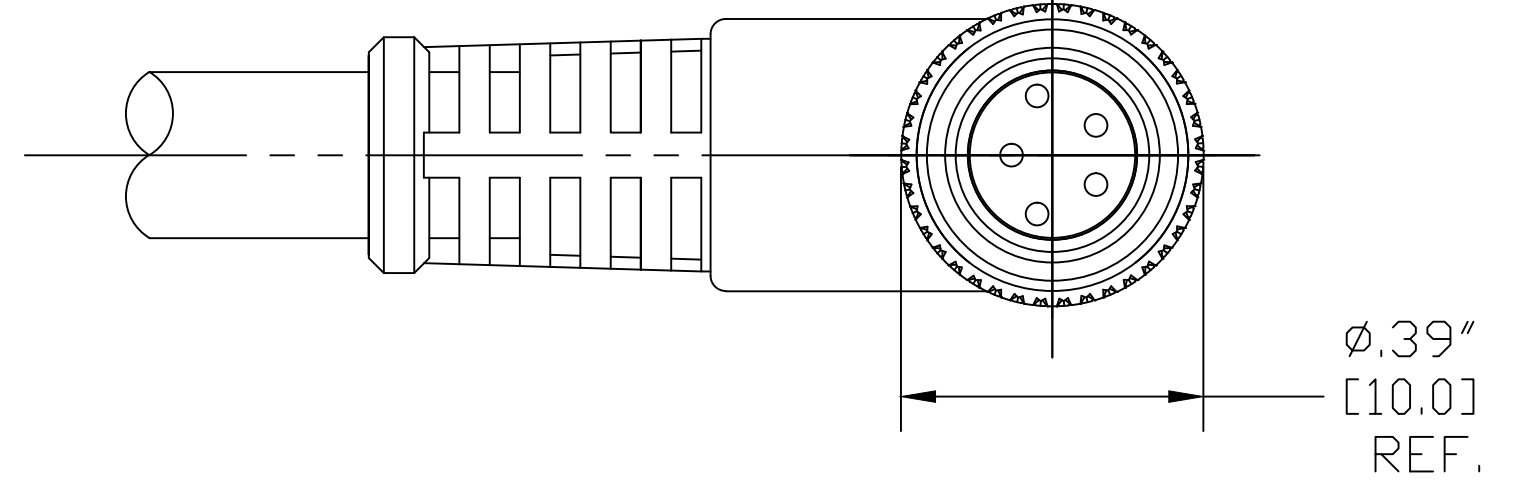
FINISHED LENGTH (SEE CHART)



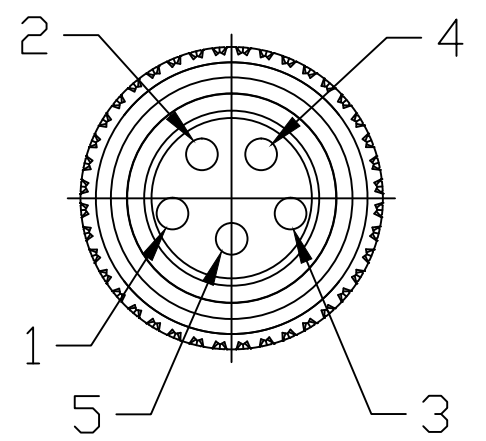
445032A10M010

Wire type
24/5 AWG
Yellow PVC

cable length
M020----2 Meter
M100----10 Meter

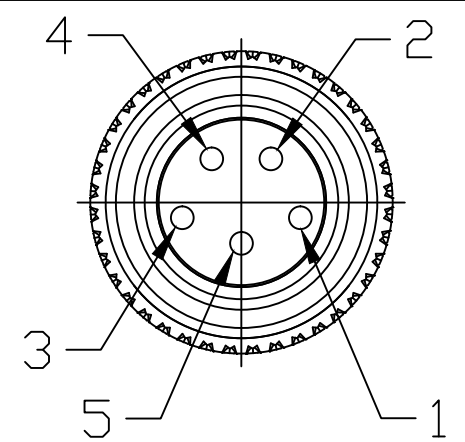


FEMALE INSERT FRONT VIEW



- 1-BROWN
- 2-WHITE
- 3-BLUE
- 4-BLACK
- 5-GRAY

MALE INSERT FRONT VIEW



- 1-BROWN
- 2-WHITE
- 3-BLUE
- 4-BLACK
- 5-GRAY

CONTACT:	GOLD/NICKEL OVER COPPER ALLOY
INSERT:	PUR, BLACK
COUPLING NUT:	BRASS, NICKEL PLATED
MOLDED BODY:	RITFLEX, YELLOW
VOLTAGE RATING:	60 VAC/ 75 VDC
AMPERAGE RATING:	3 AMPS
PROTECTION:	IP67
OPERATING TEMPERATURE:	-20°C TO 105°C
CERTIFICATIONS:	UL LISTED, FILE NO. E152210; CSA CERTIFIED, FILE NO. LR6837

1	BROWN	1
2	WHITE	2
3	BLUE	3
4	BLACK	4
5	GRAY	5

WIRING DIAGRAM

INITIAL RELEASE	QUALITY SYMBOL
EC NO.: IPG2013-1910	▽=0
DRWN: EBRACKEN 2013/06/24	▽C=0
CH'KD: RSTONE	
APPR: BWOODMAN2013/08/14	
REV	

GENERAL TOLERANCES (UNLESS SPECIFIED)		
	mm	
	INCH	
4 PLACES	±---	±---
3 PLACES	±---	±.005
2 PLACES	±0.13	±.010
1 PLACE	±0.25	±.020
ANGULAR ±.5°		
DRAFT WHERE APPLICABLE MUST REMAIN WITHIN DIMENSIONS		

DIMENSION STYLE	
IN/MM	
DRAWN BY	DATE
EBRACKEN	2013/06/18
CHECKED BY	DATE
RSTONE	----
APPROVED BY	DATE
BWOODMAN	2013/08/14
MATERIAL NO.	
SEE CHART	
SIZE	
C	

SCALE	DESIGN UNITS	THIRD ANGLE PROJECTION	
---	INCH		
TITLE			
NANO-CHANGE ASSEMBLY			
5 POLE M/MFE 90/ST			
#24-5 YELLOW PVC			
MOLEX INCORPORATED		SHEET NO.	
SD-120087-050		1 OF 1	
THIS DRAWING CONTAINS INFORMATION THAT IS PROPRIETARY TO MOLEX INCORPORATED AND SHOULD NOT BE USED WITHOUT WRITTEN PERMISSION			