

6

5

4

3

2

1

E

E

D

D

C

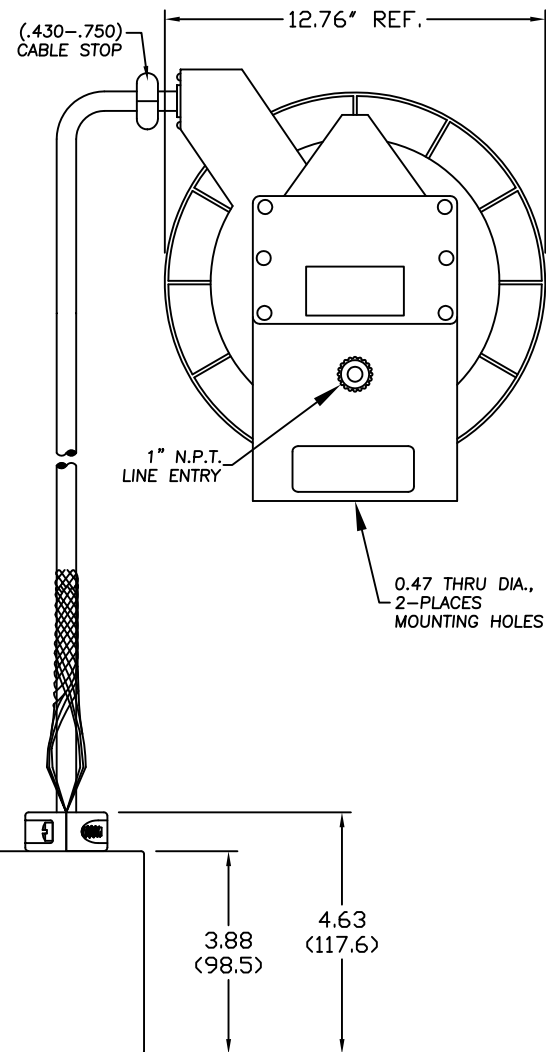
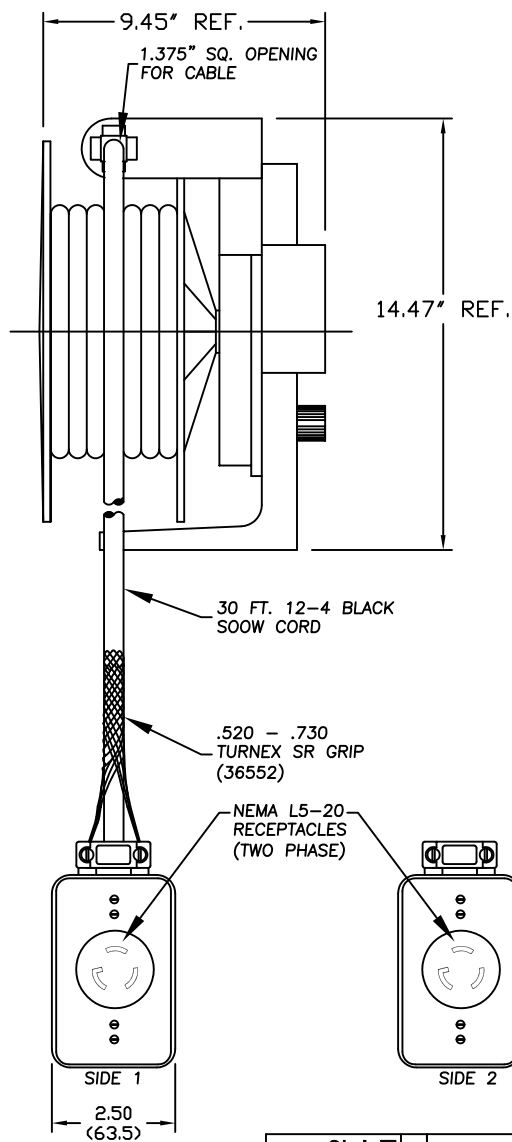
C

B

B

A

A



RELEASE DRAWING EC NO: WNA2010-0632 DRWN: TVICKERS 2010/04/12 CHKD: HK APPR: DTITUS 2010/07/21 REV A	DESCRIPTION 20100721	QUALITY SYMBOLS	GENERAL TOLERANCES (UNLESS SPECIFIED)		DIMENSION STYLE IN/(MM)		SCALE NTS	DESIGN UNITS INCH	THIRD ANGLE PROJECTION
		$\nabla=0$ $\nabla C=0$	mm	INCH	DRAWN BY DATE	TITLE			
			4 PLACES ±---	±---	TVICKERS 2010/04/12	394D CABLE REEL			
			3 PLACES ±---	±0.005	CHECKED BY DATE	W/30'#12/4 BLK			
	2 PLACES ±0.13	±0.010	HK 2010/04/12	(2)PHASE 3083-3					
	1 PLACE ±0.25	±0.020	APPROVED BY DATE						
			DTITUS 2010/07/21						
			ANGULAR ±.5°						
			DRAFT WHERE APPLICABLE MUST REMAIN WITHIN DIMENSIONS						
					MATERIAL NO.	DOCUMENT NO.	SHEET NO.		
					1300830895	SD-130083-025	1 OF 1		
					SIZE A	THIS DRAWING CONTAINS INFORMATION THAT IS PROPRIETARY TO MOLEX INCORPORATED AND SHOULD NOT BE USED WITHOUT WRITTEN PERMISSION			

6

5

4

3

2

1