

FIG. 1

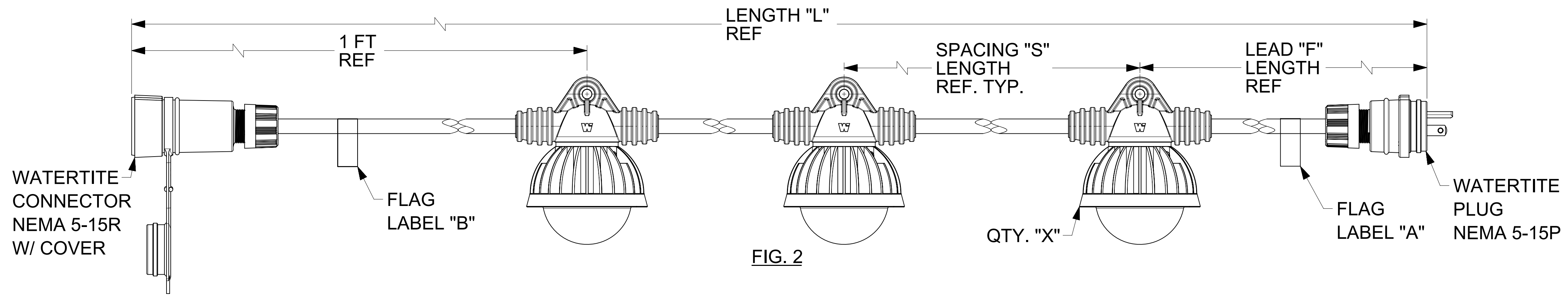
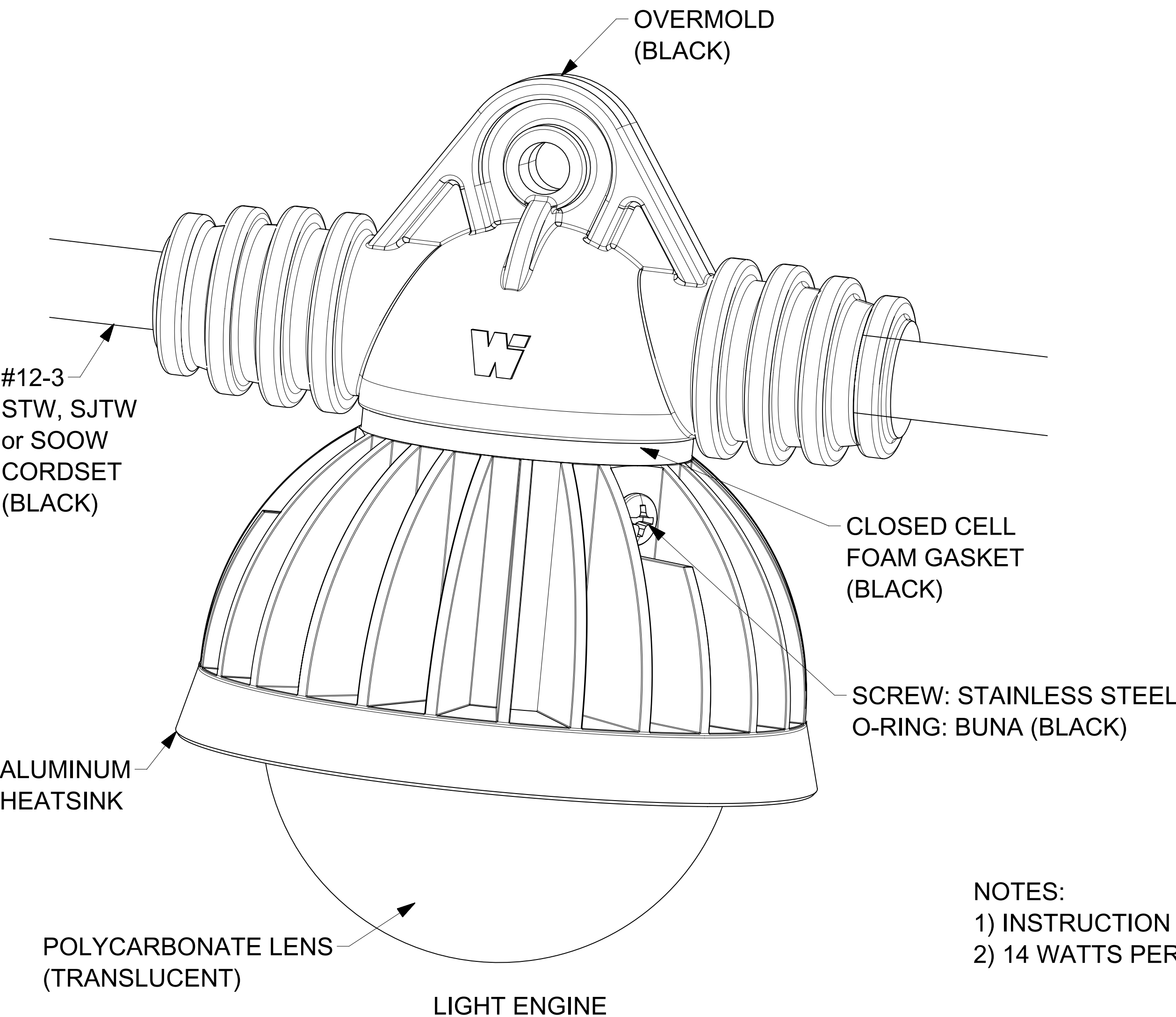


FIG. 2



NOTES:
 1) INSTRUCTION SHEET: SEE DOCUMENT# 1301110100_INSTRUC.
 2) 14 WATTS PER LIGHT ENGINE

CAUTION: RISK OF SHOCK AND FIRE
ATTENTION: RISQUE DE CHOCS ET DE FEU
 DISCONNECT PLUG BEFORE SERVICING. NE PAS CONNECTER OU DECONNECTER QUAND MOIS. NE DÉPASSEZ PAS LE STRING MARKED MAX. ACTUEL. POUR UTILISER UNIQUEMENT SUR LES CIRCUITS PROTÉGÉS GFCI DANS ACCORDANCE WITH ARTICLE 590 OF THE NEC CONFORMEMENT À L'ARTICLE 590 DU NEC

Assembled in Mexico

TEMPORARY LED LIGHTING STRING
STRUCTURE D'ÉCLAIRAGE LED TEMPORAIRE
 CAT NO. 13011101XX DATE CODE X XXXXXX
 PER STRING (PAR FICELLE):
 "W" WATTS, "Z" VOLT, "Z" AMP "M" MAXIMUM STRINGS PLUGGED END TO END (CORDES MAXIMALES BRANCHÉES BOUT À BOUT) "M"

DO NOT EXCEED 15 AMPS TOTAL STRING CURRENT. LIGHT SOURCES ARE NOT REPLACEABLE. NE PAS DÉPASSER 15 AMPS COURANTS DE CHAÎNE TOTALE. LES SOURCES LUMINEUSES NE SONT PAS REMPLACABLES.

COVER CONNECTOR WHEN NOT IN USE
CONNECTEUR DE COUVERCLE QUAND NE PAS UTILISER

PART NO	CABLE TYPE (REF)	LENGTH "L" REF. (FEET)	QTY. "X" LIGHT ENGINE SUB-ASSY	SPACING "S" LENGTH	LEAD "F" LENGTH	WATTAGE PER LIGHT ENGINE	"Z" AMP	"M" MAX. STRINGS PLUGGED END TO END	FIG.	AGENCY LOGO (SEE FLAG LABEL "A")
1301110100	#12/3 SJTW	100	10	10 FT. REF.	9 FT. REF.	14	1.2	12	1	YES
1301110101	#12/3 SJTW	50	5	10 FT. REF.	9 FT. REF.	14	0.6	24	1	YES
1301110102	#12/3 STW	100	10	10 FT. REF.	9 FT. REF.	14	1.2	12	1	YES
1301110103	#12/3 STW	50	5	10 FT. REF.	9 FT. REF.	14	0.6	24	1	YES
1301110112	#12/3 SJTW	25	2	10 FT. REF.	14 FT. REF.	14	0.3	50	1	YES
1301110113	#12/3 STW	25	2	10 FT. REF.	14 FT. REF.	14	0.3	50	1	YES
1301110117	#12/3 SOOW	100	10	10 FT. REF.	9 FT. REF.	14	1.2	12	2	YES
1301110118	#12/3 SOOW	50	5	10 FT. REF.	9 FT. REF.	14	0.6	24	2	YES
1301110119	#12/3 SOOW	25	2	10 FT. REF.	14 FT. REF.	14	0.3	50	2	NO
1301110124	#12/3 SJTW	31	10	2 FT. REF.	12 FT. REF.	14	1.2	12	2	NO
1301110130	#12/3 SJTW	35.5	10	2.5 FT. REF.	12 FT. REF.	14	1.2	12	2	NO

THIS DRAWING CONTAINS INFORMATION THAT IS PROPRIETARY TO MOLEX ELECTRONIC TECHNOLOGIES, LLC AND SHOULD NOT BE USED WITHOUT WRITTEN PERMISSION

DIMENSION UNITS: INCH SCALE: NTS

GENERAL TOLERANCES (UNLESS SPECIFIED):

ANGULAR TOL: ± °

4 PLACES: ±

3 PLACES: ±

2 PLACES: ±

1 PLACE: ±

0 PLACES: ±

DRAFT WHERE APPLICABLE MUST REMAIN WITHIN DIMENSIONS

THIRD ANGLE PROJECTION

DRAWING: D-SIZE

SERIES: 130111

MATERIAL NUMBER: SEE CHART

CUSTOMER: 1301110100

SHEET NUMBER: 1 OF 1

EC NO: 654983

DRWN: HKNEELAND 2021/02/08

CHK'D: VOU 2021/02/11

APPR: WLEUNG 2021/02/11

INITIAL REVISION: DRWN: WLEUNG 2017/03/22

APPR: JFMURPHY 2017/07/22

DOCUMENT NUMBER: 1301110100

DOC TYPE: PSD

DOC PART: 000

REVISION: H

molex

LED STRINGLIGHT

PRODUCT CUSTOMER DRAWING