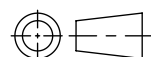
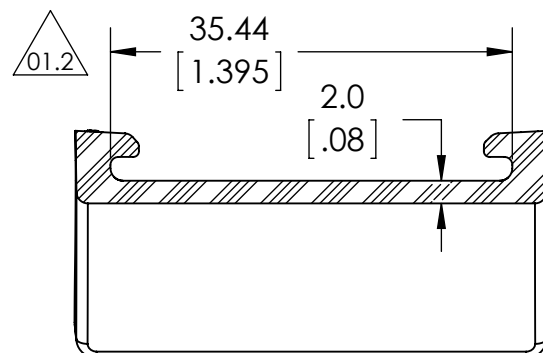
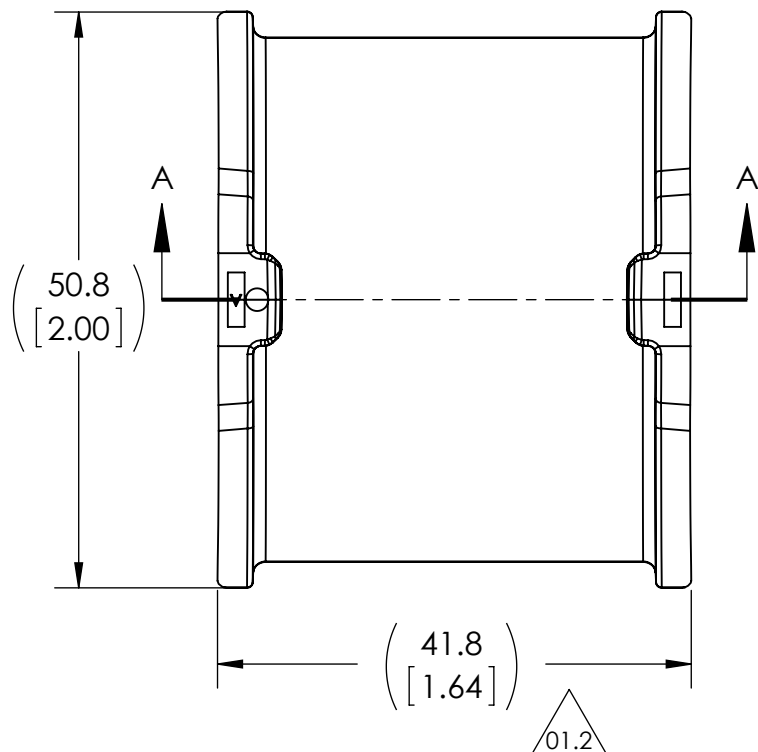
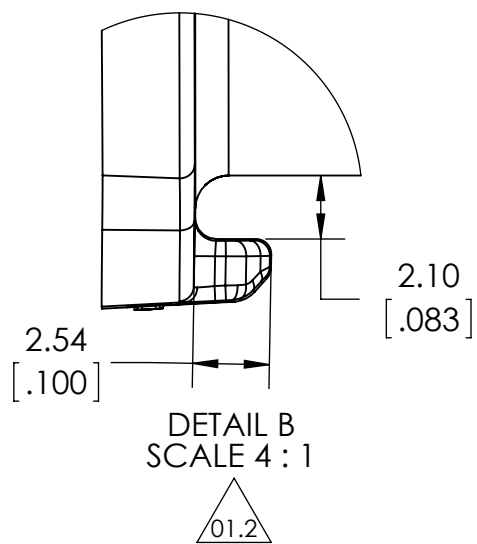


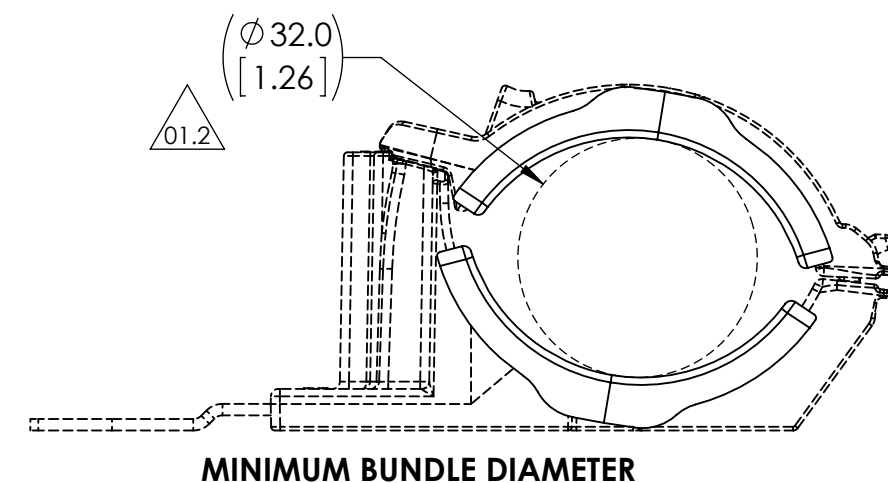
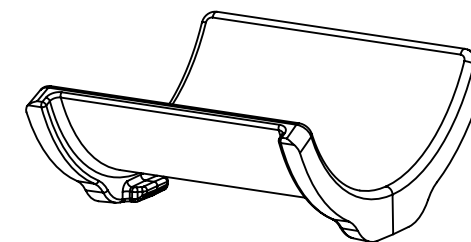
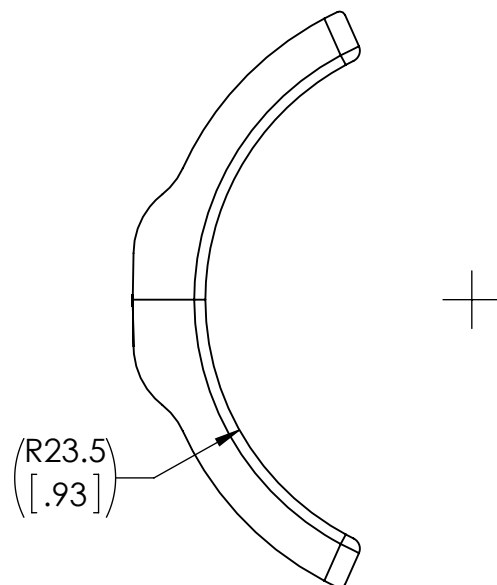
SW2014



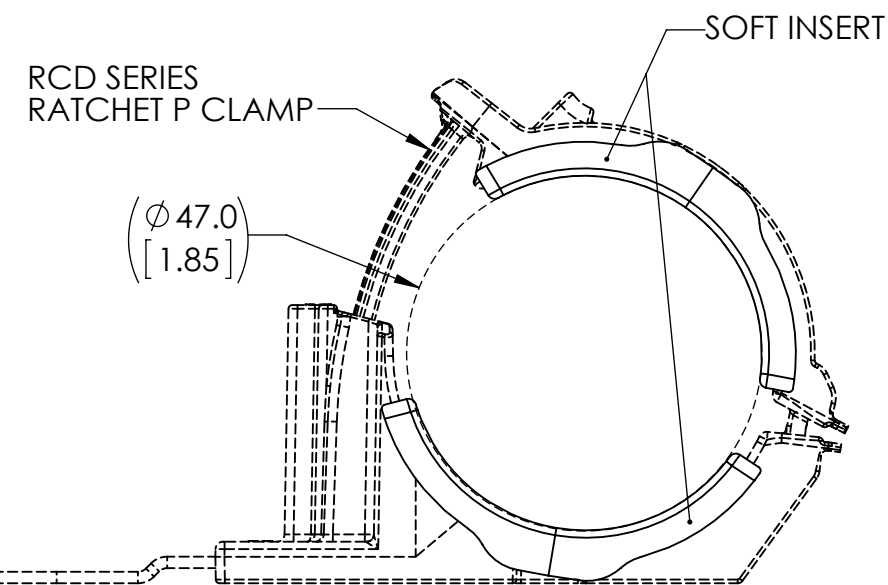
Revision level			Revision Record	Changed	Date	Approved	Date
Drawing	State	Part					
01.2	Design Release	A	SEE ECN# 013422	MHT	4/20/2016	KAC	4/20/2016



SECTION A-A



MINIMUM BUNDLE DIAMETER



MAXIMUM BUNDLE DIAMETER



**PERFORMANCE REQUIREMENT:**

1. ASSEMBLE FLEXIBLE INSERT INTO CLAMP AS SHOWN ABOVE. INSERT SHOULD NOT DISENGAGE WHEN SHAKEN BY HAND.

Notes 1. USED WITH RCD SERIES RATCHET P CLAMP 2. USE 2 INSERTS PER RCD SERIES RATCHET P CLAMP 3. MAXIMUM ALLOWABLE FLASH OR MISMATCH TO BE: 0.25mm	Material TPV	Units: millimeters Dimension without tolerances details to: .xxx = ±.013 .xx = ±.13 .x = ±.3 None = ±.8 ∠ = ±0.5* Dimension Formatted mm/[in]	The copyright of this drawing is reserved by HellermannTyton. It is issued on condition that it is not reproduced, copied, or disclosed to a third party, either wholly or in part, without the consent of HellermannTyton.	Drawn	KEP	08/21/2015	Article/Type-No	RCINSERTD	Scale	3:2
				Approved	MHT	08/21/2015	Title	SOFT INSERT D - FOR SIZE D RATCHET P CLAMP	Project Number	PRP15-0341
				 North America Email: corp@htamericas.com Web: www.hellermann.tyton.com		Drawing-No	Production : Phase		Format	B
15-0341-013-CSU		Sheet	1/1							