

4

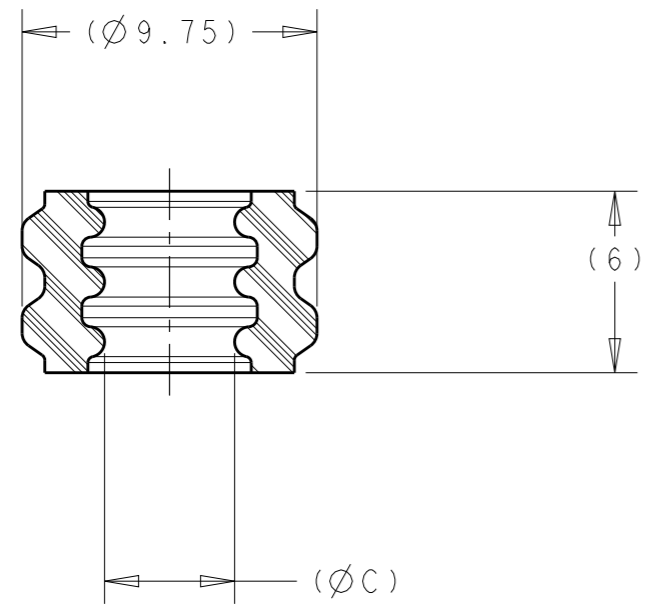
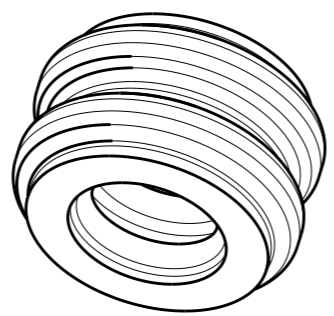
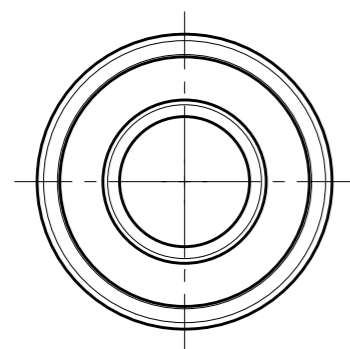
3

2

1

THIS DRAWING IS UNPUBLISHED. RELEASED FOR PUBLICATION 20  
 © COPYRIGHT 20 BY TYCO ELECTRONICS CORPORATION. ALL RIGHTS RESERVED.

LOC	DIST	REVISIONS			
P	LTR	DESCRIPTION	DATE	DWN	APVD
		A	ECO-07-029018 / ECR-07-029589	11DEC2007	DS AT
		AI	ECO-20-008652	22JUN2020	CN AC



SECTION A - A

- MATERIAL:  
 TYPE: INHERENTLY LUBRICATED SILICONE  
 COLOR: SEE CHART  
 DUROMETER: SEE CHART
- PART DIMENSIONS SHOWN ARE IN FREE STATE CONDITION
- FEATURES DENOTED BY REFERENCE DIMENSIONS MUST BE INSPECTED FOR PRESENCE
- PART MUST BE FREE OF EXCESSIVE FLASH, MIS-MATCH, STAINS, SCORES, SINK MARKS, OR OTHER VISUAL IMPERFECTIONS THAT MAY AFFECT PRODUCT FIT OR FUNCTION

△ 5 REMOVED

COLOR	DUROMETER	ØC	DESCRIPTION	PART NO
BLUE	30	3.60	CABLE SEAL, HVA	1587530-3
GREEN	50	5.20	CABLE SEAL, SIZE C-D, HVA	1587530-2
YELLOW	30	4.30	CABLE SEAL, SIZE A-B, HVA	1587530-1

<small>THIS DRAWING IS A CONTROLLED DOCUMENT FOR TYCO ELECTRONICS CORPORATION. IT IS SUBJECT TO CHANGE AND THE CONTROLLING ENGINEERING ORGANIZATION SHOULD BE CONTACTED FOR THE LATEST REVISION.</small>		DWN 26JAN2007 <b>D SIMPSON</b>		Tyco Electronics Harrisburg, PA 17105-3608	
DIMENSIONS: mm		TOLERANCES UNLESS OTHERWISE SPECIFIED: 0 PLC ±.5 1 PLC ±0.13 2 PLC ±0.013 3 PLC ±0.013 4 PLC ±0.0001 ANGLES ±.		CHK 11DEC2007 <b>A TYLER</b>	
		APVD - <b>J BOLEWITZ</b>		NAME <b>CABLE SEAL, HVA HVA TERMINATION</b>	
MATERIAL NOTED		FINISH -		PRODUCT SPEC - APPLICATION SPEC - WEIGHT -	
		CUSTOMER DRAWING		SIZE 3 CAGE CODE 00779 DRAWING NO C-1587530 RESTRICTED TO	
		SCALE 4:1		SHEET 1 OF 1 REV AI	