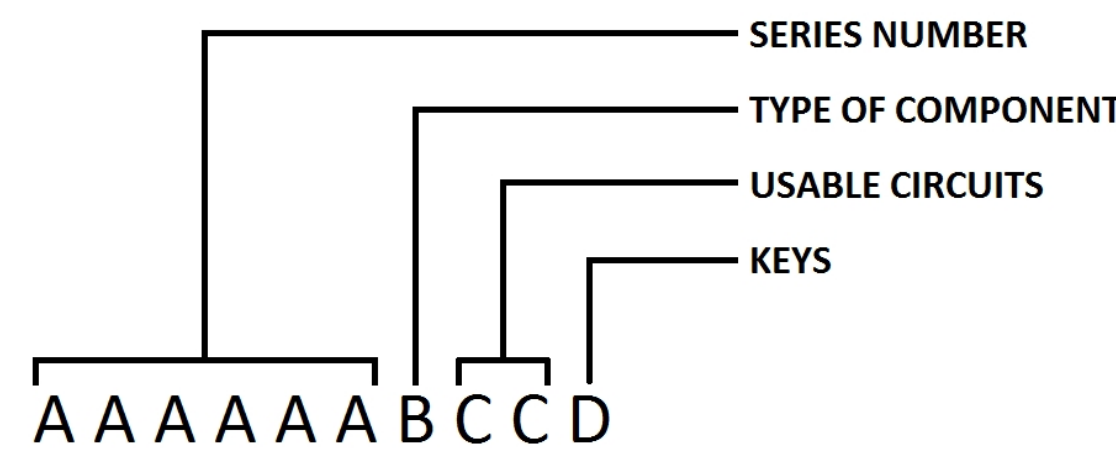


CONNTAK50 DUAL ROW RIGHT ANGLE SMT HEADERS

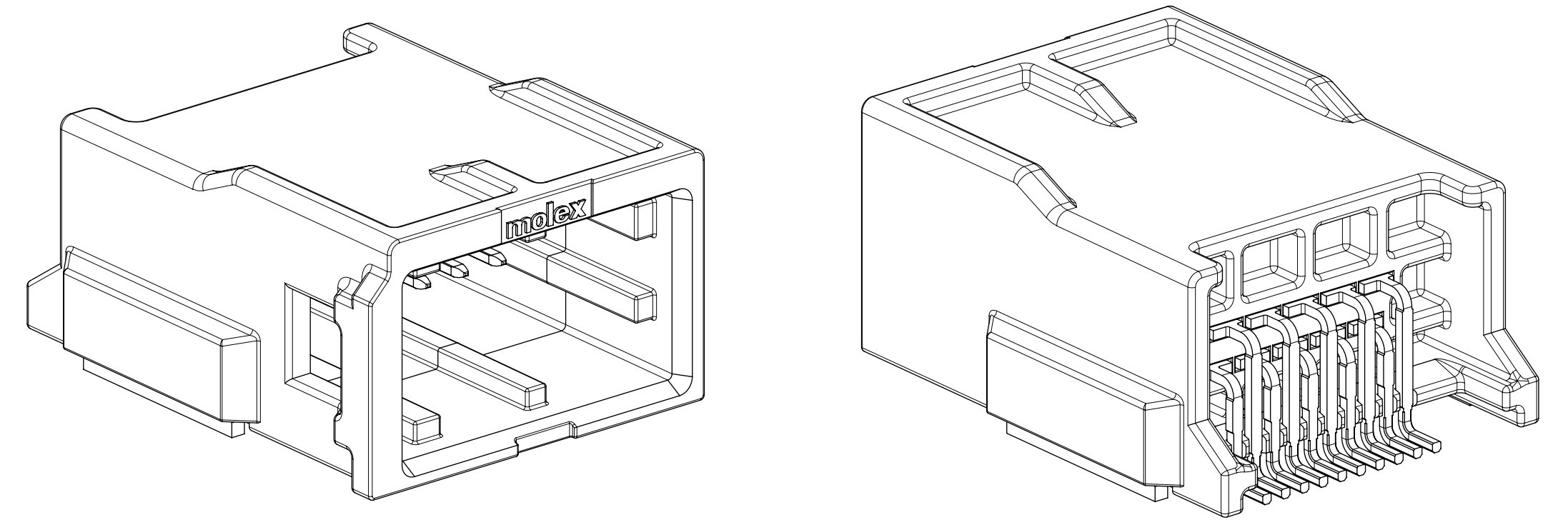
10CKT HEADER:



PART NUMBER EXAMPLE:

PN 2069582101
 206958 - SERIES NUMBER: DUAL ROW RIGHT ANGLE SMT HEADER - STANDARD PERF
 2 - TYPE OF COMPONENT: STANDARD MATERIAL; FULLY POPULATED
 10 - 10 USABLE CIRCUITS
 1 - KEY A

FINAL PART: 10CKT DUAL ROW RIGHT ANGLE FULLY POPULATED STANDARD PERFORMANCE & MATERIAL SMT HEADER - KEY A



| | SERIES NUMBERS (AAAAAA) | TYPE OF COMPONENT (B) | USABLE CIRCUITS (CC) | KEY (D) |
|------------------|---|--|----------------------|-----------|
| MATING COMPONENT | 205825 - DR TANG RECEPTACLE | 2 - STD MATL; FULLY POPULATED | 02 - 2 Circuits | 1 - KEY A |
| | 205826 - DR TANG RECEPTACLE WITH CPA | 3 - V0 MATL; FULLY POPULATED | ... | 2 - KEY B |
| ON DRAWING | 206958 - DR RIGHT ANGLE SMT HEADER - STANDARD PERF. | 4 - STD MATL; LAST 2 CKTS UNPOPULATED / UNUSABLE | ... | 3 - KEY C |
| OTHER | 206957 - DR VERTICAL SMT HEADER - STANDARD PERF. | 5 - V0 MATL; LAST 2 CKTS UNPOPULATED / UNUSABLE | 22 - 22 Circuits | 4 - KEY D |

| INTERFACE | INTERFACE CKT SIZE | DIM A | DIM B | DIM C | DIM D | DIM E | DIM F | DIM G | POL | COLOR | STANDARD MATERIAL SMT HEADER | | | | STATUS |
|---------------------|--------------------|-------|-------|-------|-------|-------|-------|-------|-----|---------|------------------------------|-------------|-------------------|-------------|-----------|
| | | | | | | | | | | | FULLY POPULATED | | 2CKTS UNPOPULATED | | |
| | | | | | | | | | | | PART NUMBER | USABLE CKTS | PART NUMBER | USABLE CKTS | |
| | 10 | 17.10 | 15.10 | 2.90 | 7.51 | 3.35 | 8.15 | 3.35 | A | BLACK | 2069582101 | 10 | 2069584081 | 8 | AVAILABLE |
| | | | | | | | | | B | NATURAL | 2069582102 | 10 | 2069584082 | 8 | |
| | | | | | | | | | C | BLUE | 2069582103 | 10 | 2069584083 | 8 | |
| | | | | | | | | | D | VIOLET | 2069582104 | 10 | 2069584084 | 8 | |
| PERFORMANCE MARK: S | | | | | | | | | | | | | | | |

| INTERFACE | INTERFACE CKT SIZE | DIM A | DIM B | DIM C | DIM D | DIM E | DIM F | DIM G | POL | COLOR | V0 MATERIAL SMT HEADER | | | | STATUS |
|---------------------|--------------------|-------|-------|-------|-------|-------|-------|-------|-----|---------|------------------------|-------------|-------------------|-------------|--------------------------|
| | | | | | | | | | | | FULLY POPULATED | | 2CKTS UNPOPULATED | | |
| | | | | | | | | | | | PART NUMBER | USABLE CKTS | PART NUMBER | USABLE CKTS | |
| | 4 | 11.70 | 9.70 | 0.20 | 4.81 | 0.65 | 5.45 | 0.65 | A | BLACK | 2069583041 | 4 | 2069585021 | 2 | INQUIRE FOR AVAILABILITY |
| | | | | | | | | | B | NATURAL | 2069583042 | 4 | 2069585022 | 2 | |
| | | | | | | | | | C | BLUE | 2069583043 | 4 | 2069585023 | 2 | |
| | | | | | | | | | D | VIOLET | 2069583044 | 4 | 2069585024 | 2 | |
| | 6 | 13.50 | 11.50 | 1.10 | 5.71 | 1.55 | 6.35 | 1.55 | A | BLACK | 2069583061 | 6 | 2069585041 | 4 | INQUIRE FOR AVAILABILITY |
| | | | | | | | | | B | NATURAL | 2069583062 | 6 | 2069585042 | 4 | |
| | | | | | | | | | C | BLUE | 2069583063 | 6 | 2069585043 | 4 | |
| | | | | | | | | | D | VIOLET | 2069583064 | 6 | 2069585044 | 4 | |
| | 8 | 15.30 | 13.30 | 2.00 | 6.61 | 2.45 | 7.25 | 2.45 | A | BLACK | 2069583081 | 8 | 2069585061 | 6 | INQUIRE FOR AVAILABILITY |
| | | | | | | | | | B | NATURAL | 2069583082 | 8 | 2069585062 | 6 | |
| | | | | | | | | | C | BLUE | 2069583083 | 8 | 2069585063 | 6 | |
| | | | | | | | | | D | VIOLET | 2069583084 | 8 | 2069585064 | 6 | |
| | 10 | 17.10 | 15.10 | 2.90 | 7.51 | 3.35 | 8.15 | 3.35 | A | BLACK | 2069583101 | 10 | 2069585081 | 8 | INQUIRE FOR AVAILABILITY |
| | | | | | | | | | B | NATURAL | 2069583102 | 10 | 2069585082 | 8 | |
| | | | | | | | | | C | BLUE | 2069583103 | 10 | 2069585083 | 8 | |
| | | | | | | | | | D | VIOLET | 2069583104 | 10 | 2069585084 | 8 | |
| | 12 | 18.90 | 16.90 | 3.80 | 8.41 | 4.25 | 9.05 | 4.25 | A | BLACK | 2069583121 | 12 | 2069585101 | 10 | INQUIRE FOR AVAILABILITY |
| | | | | | | | | | B | NATURAL | 2069583122 | 12 | 2069585102 | 10 | |
| | | | | | | | | | C | BLUE | 2069583123 | 12 | 2069585103 | 10 | |
| | | | | | | | | | D | VIOLET | 2069583124 | 12 | 2069585104 | 10 | |
| | 14 | 20.70 | 18.70 | 4.70 | 9.31 | 5.15 | 9.95 | 5.15 | A | BLACK | 2069583141 | 14 | 2069585121 | 12 | INQUIRE FOR AVAILABILITY |
| | | | | | | | | | B | NATURAL | 2069583142 | 14 | 2069585122 | 12 | |
| | | | | | | | | | C | BLUE | 2069583143 | 14 | 2069585123 | 12 | |
| | | | | | | | | | D | VIOLET | 2069583144 | 14 | 2069585124 | 12 | |
| | 16 | 22.50 | 20.50 | 5.60 | 10.21 | 6.05 | 10.85 | 6.05 | A | BLACK | 2069583161 | 16 | 2069585141 | 14 | INQUIRE FOR AVAILABILITY |
| | | | | | | | | | B | NATURAL | 2069583162 | 16 | 2069585142 | 14 | |
| | | | | | | | | | C | BLUE | 2069583163 | 16 | 2069585143 | 14 | |
| | | | | | | | | | D | VIOLET | 2069583164 | 16 | 2069585144 | 14 | |
| | 18 | 24.30 | 22.30 | 6.50 | 11.11 | 6.95 | 11.75 | 6.95 | A | BLACK | 2069583181 | 18 | 2069585161 | 16 | INQUIRE FOR AVAILABILITY |
| | | | | | | | | | B | NATURAL | 2069583182 | 18 | 2069585162 | 16 | |
| | | | | | | | | | C | BLUE | 2069583183 | 18 | 2069585163 | 16 | |
| | | | | | | | | | D | VIOLET | 2069583184 | 18 | 2069585164 | 16 | |
| | 20 | 26.10 | 24.10 | 7.40 | 12.01 | 7.85 | 12.65 | 7.85 | A | BLACK | 2069583201 | 20 | 2069585181 | 18 | INQUIRE FOR AVAILABILITY |
| | | | | | | | | | B | NATURAL | 2069583202 | 20 | 2069585182 | 18 | |
| | | | | | | | | | C | BLUE | 2069583203 | 20 | 2069585183 | 18 | |
| | | | | | | | | | D | VIOLET | 2069583204 | 20 | 2069585184 | 18 | |
| | 22 | 27.90 | 25.90 | 8.30 | 12.91 | 8.75 | 13.55 | 8.75 | A | BLACK | 2069583221 | 22 | 2069585201 | 20 | AVAILABLE |
| | | | | | | | | | B | NATURAL | 2069583222 | 22 | 2069585202 | 20 | |
| | | | | | | | | | C | BLUE | 2069583223 | 22 | 2069585203 | 20 | |
| | | | | | | | | | D | VIOLET | 2069583224 | 22 | 2069585204 | 20 | |
| PERFORMANCE MARK: S | | | | | | | | | | | | | | | |

NOTES:

VALID UNLESS OTHERWISE SPECIFIED

- GENERAL:
 - APPLICATION SPECIFICATION SEE: 2046310000-AS
 - PRODUCT SPECIFICATION SEE: 2046310000-PS
 - PACKAGING SPECIFICATION PER MOLEX DRAWING: 2069579000
 - PACKAGING IS TAPE & REEL
 - COMPATIBLE WITH STANDARD AK INTERFACE C-114-94000-20 REV A1
 - CONFORMS TO MOLEX AK INTERFACE 2046310002 REV A
 - MOLEX AK INTERFACE IS PART OF PPAP
 - INDICATED CIRCUITS DO NOT CONTAIN PINS IN DEPOPULATED HEADER VERSION
 - TRACEABILITY TO BE MARKED IN AREA SHOWN. MARK IS CODED AS FOLLOWS:
 - ROW 1 (XXXXXX):
 - "XXXXXX" IS MOLEX SMT HEADER SERIES NUMBER
 - ROW 2 (YYYY PZ):
 - "YYYY" IS PART SUFFIX (LAST 4 DIGITS OF PART NUMBER)
 - "P" IS PERFORMANCE MARK. SEE PART TABLE FOR MARKING CODE
 - "Z" IS ASSEMBLY LINE ("1" INDICATES ORIGINAL LINE, "2" IS FIRST CAPACITY LINE, ETC.)
 - ROW 3 (HHDDDDYY):
 - 1ST & 2ND DIGITS (HH): HOUR OF ASSEMBLY (EXAMPLE: 15:00 > '15'; 7:00 -> '07')
 - 3RD THRU 5TH DIGITS (DDD): JULIAN DATE (EXAMPLE: FEBRUARY 3RD -> '034')
 - 6TH & 7TH DIGITS (YY): LAST 2 DIGITS OF CALENDAR YEAR (EXAMPLE: 2013 -> '13')
- DESIGN - MATERIALS:
 - SHROUD (PLASTIC HOUSING):
 - STANDARD MATERIAL HOUSINGS: SPS-GF30%
 - V0 MATERIAL HOUSINGS: PA9T-GF30%
 - PINS:
 - STANDARD PERFORMANCE PINS:
 - BASE MATERIAL: C26000 BRASS
 - UNDERPLATING (CONTACT REGION): NICKEL 0.5 - 2.0 μm
 - OVERPLATING (CONTACT REGION): MATTE TIN 1.0 - 3.0 μm
- DESIGN - GEOMETRY:
 - GEOMETRIC DIMENSIONS AND TOLERANCES PER ASME Y14.5M-2009

| INSPECTION BALLOON LOG | |
|---|--|
| PER DRAWING REVISION: D3 | |
| TOTAL BALLOONS: 14 | D3 CORRECTED DIM C DIMENSIONS |
| ADDED BALLOON NUMBERS: | D2 UPDATED TOLERANCE ON DIM 5 FROM (+0.05/-0.10) TO (+0.05/-0.15). |
| REMOVED BALLOON NUMBERS: | D1 UPDATED: BOM TABLE TO SAY NATURAL FOR POL B |
| | D ADDED V0 MATERIAL PART NUMBERS; UPDATED NOTE 2.1 |
| | REV DESCRIPTION |
| THIS DRAWING CONTAINS INFORMATION THAT IS PROPRIETARY TO MOLEX ELECTRONIC TECHNOLOGIES, LLC AND SHOULD NOT BE USED WITHOUT WRITTEN PERMISSION | |
| DIMENSION UNITS: mm | SCALE: 5:1 |
| GENERAL TOLERANCES (UNLESS SPECIFIED): | CURRENT REV DESC: |
| ANGULAR TOL ± ° | EC NO: 678858 |
| 4 PLACES ± | DRWN: ECOLARUSSO 2021/09/23 |
| 3 PLACES ± | CHK'D: KHEWITT 2021/09/28 |
| 2 PLACES ± | APPR: JDUNAJ 2021/09/28 |
| 1 PLACE ± | INITIAL REVISION: |
| 0 PLACES ± | DRWN: KHEWITT 2018/02/06 |
| | APPR: JDUNAJ 2018/03/05 |
| DRAFT WHERE APPLICABLE MUST REMAIN WITHIN DIMENSIONS | THIRD ANGLE PROJECTION |
| | DRAWING SERIES: D-SIZE 204632 |
| | MATERIAL NUMBER CUSTOMER: SEE TABLE GENERAL MARKET |
| | SHEET NUMBER: 1 OF 2 |

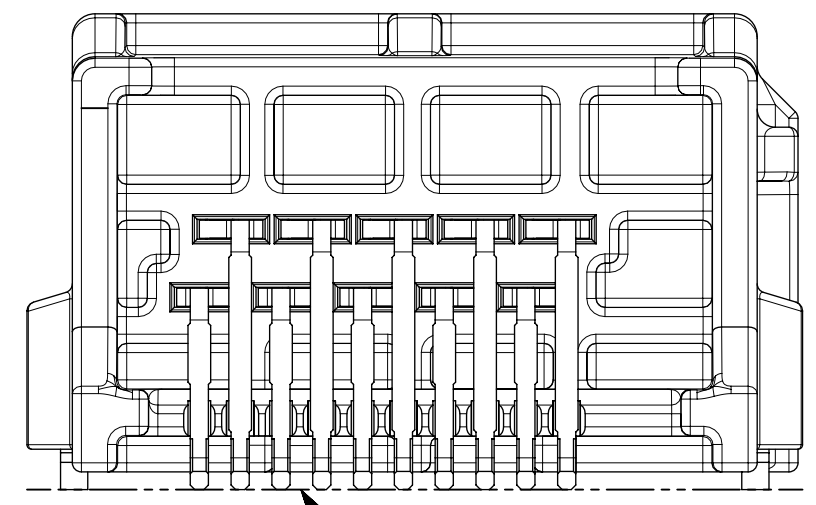


CONNTAK50 DR R/A SMT HEADER

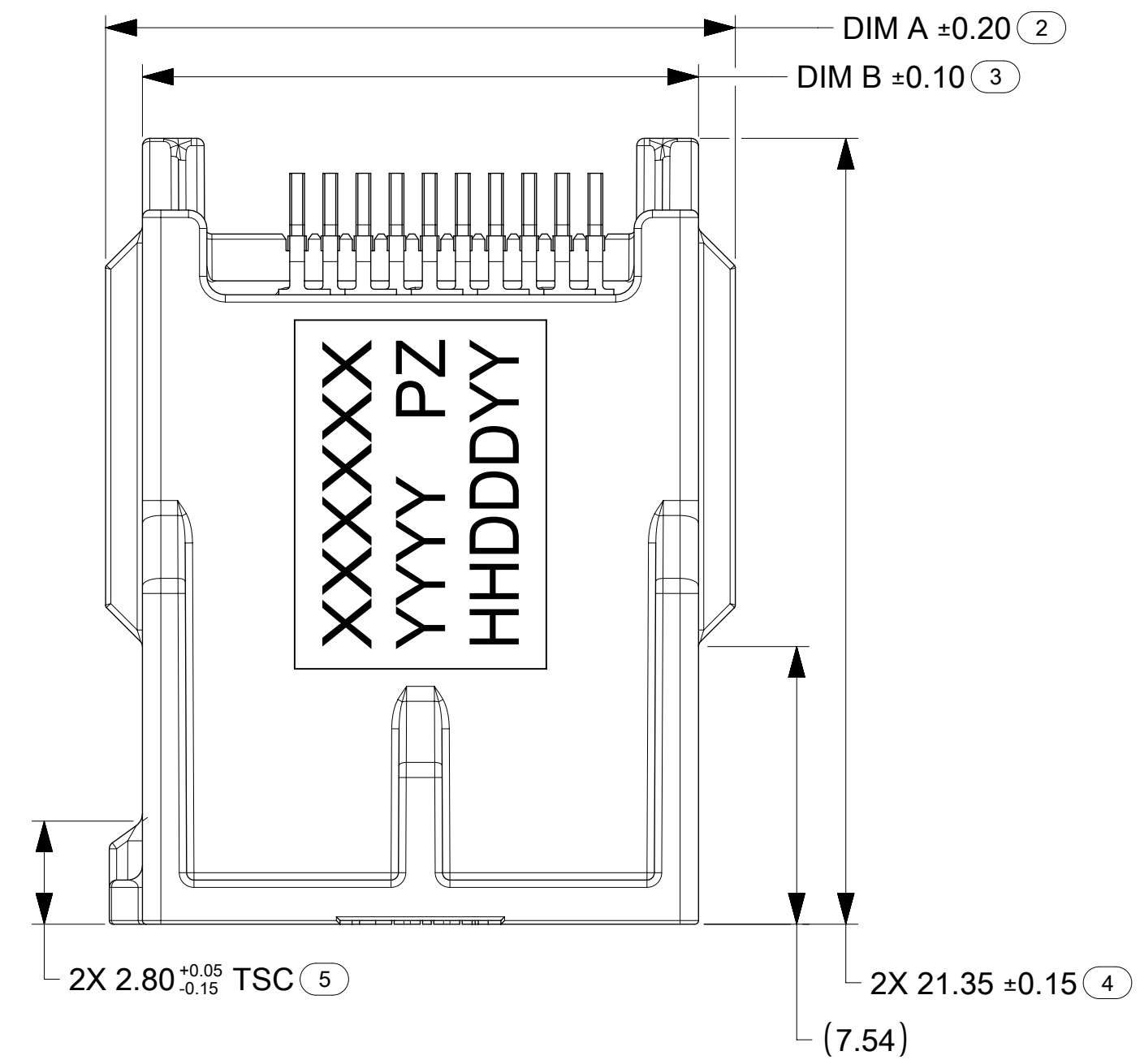
PRODUCT CUSTOMER DRAWING

| DOCUMENT NUMBER | DOC TYPE | DOC PART | REVISION |
|-----------------|----------|----------|----------|
| 2046320003 | PSD | 000 | D3 |

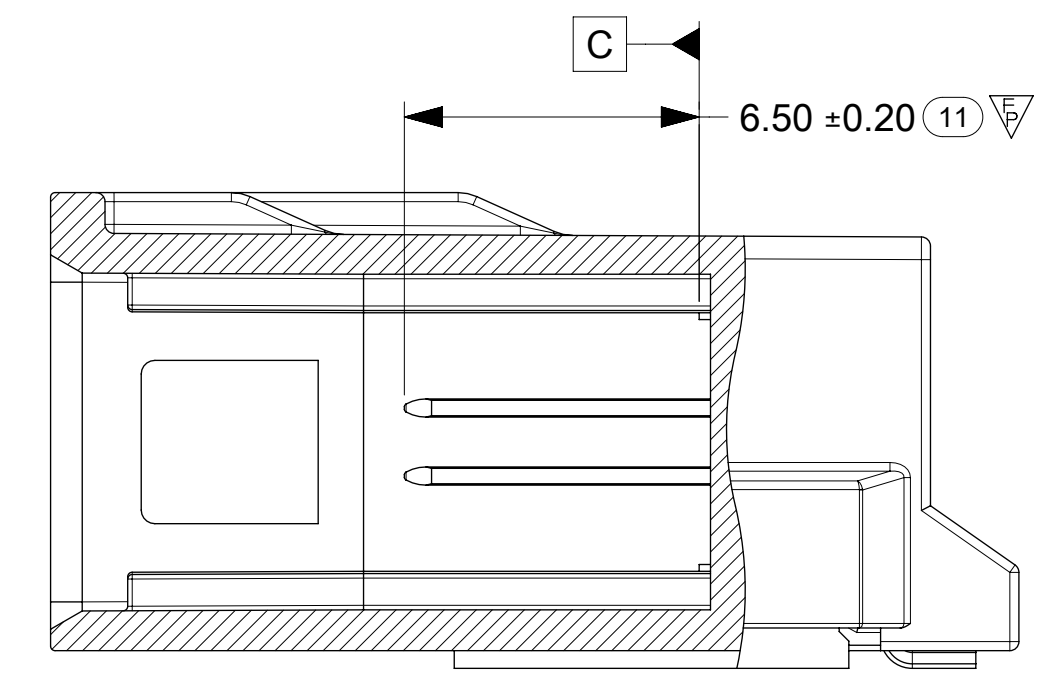
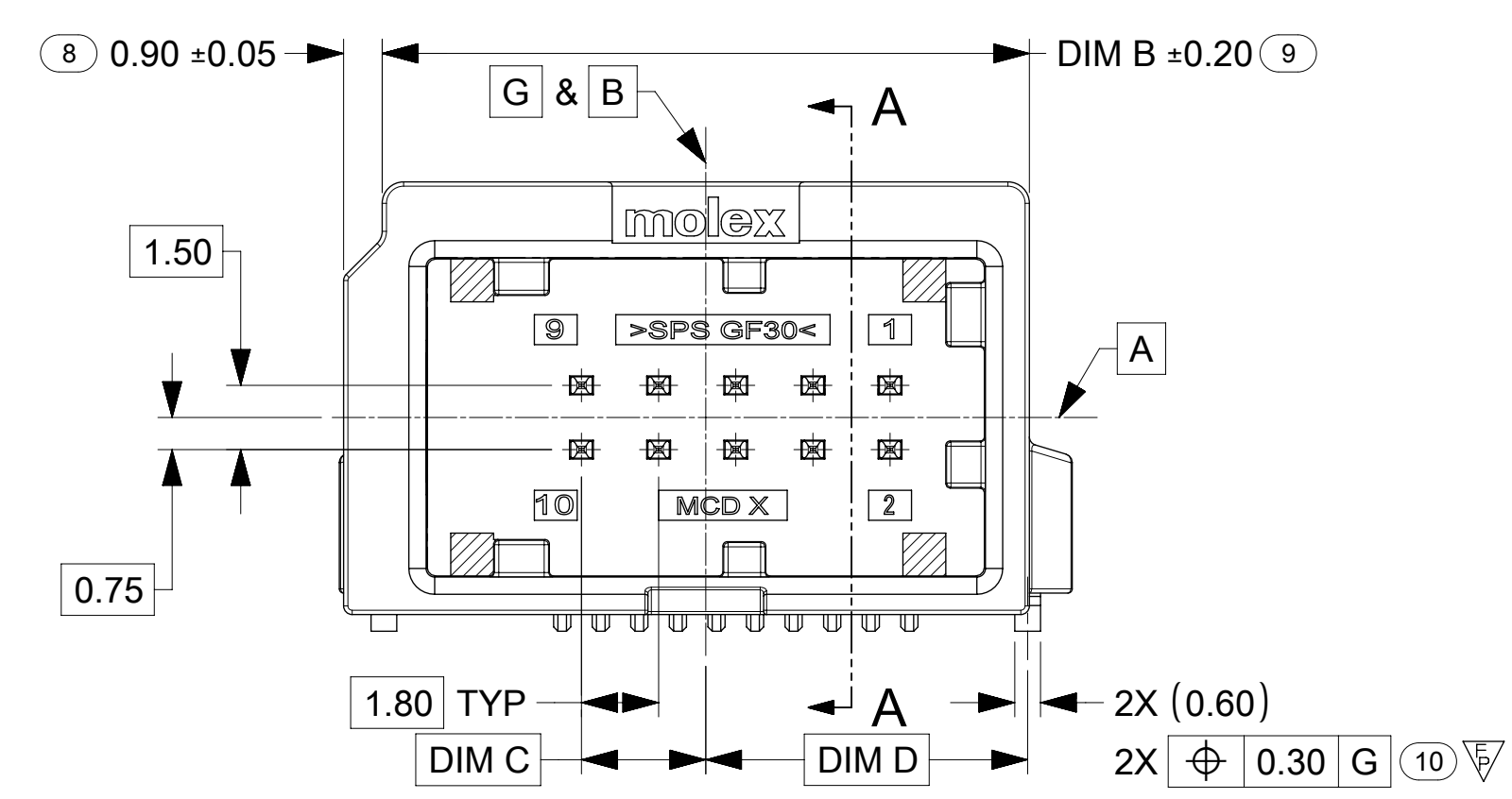
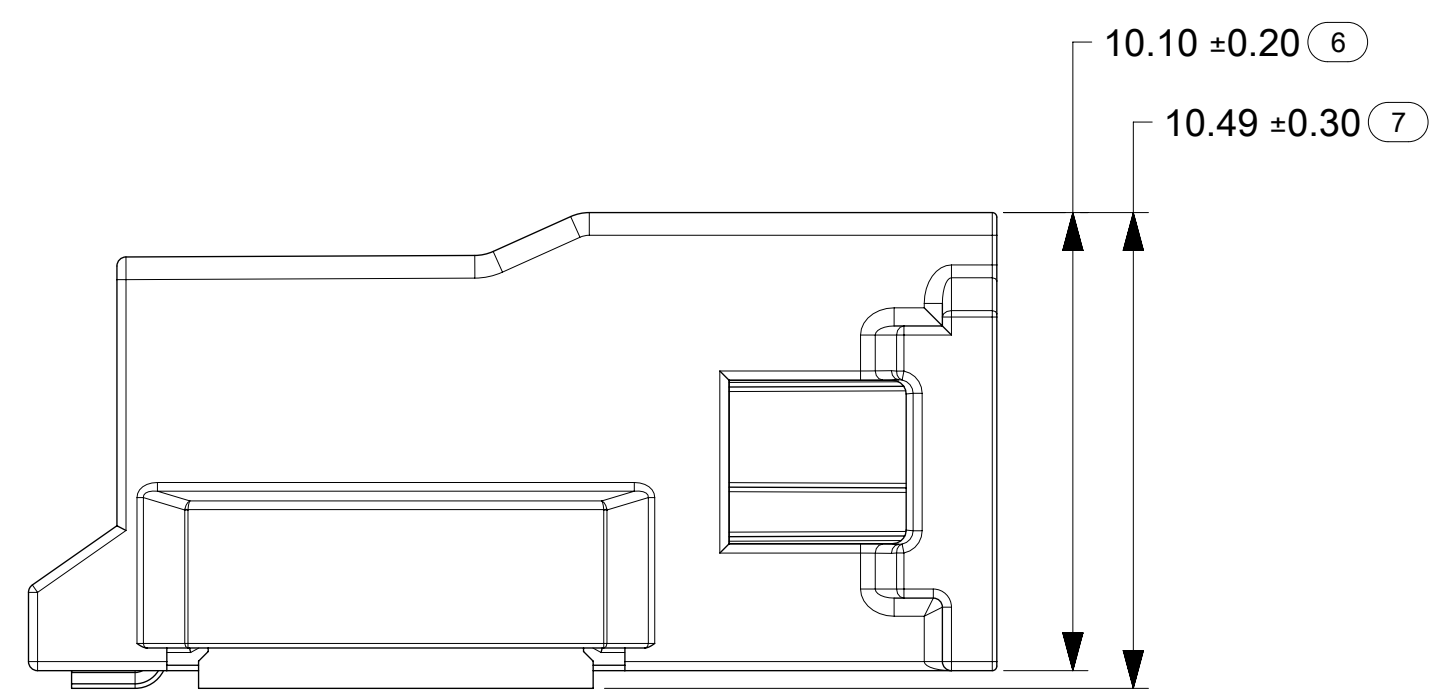
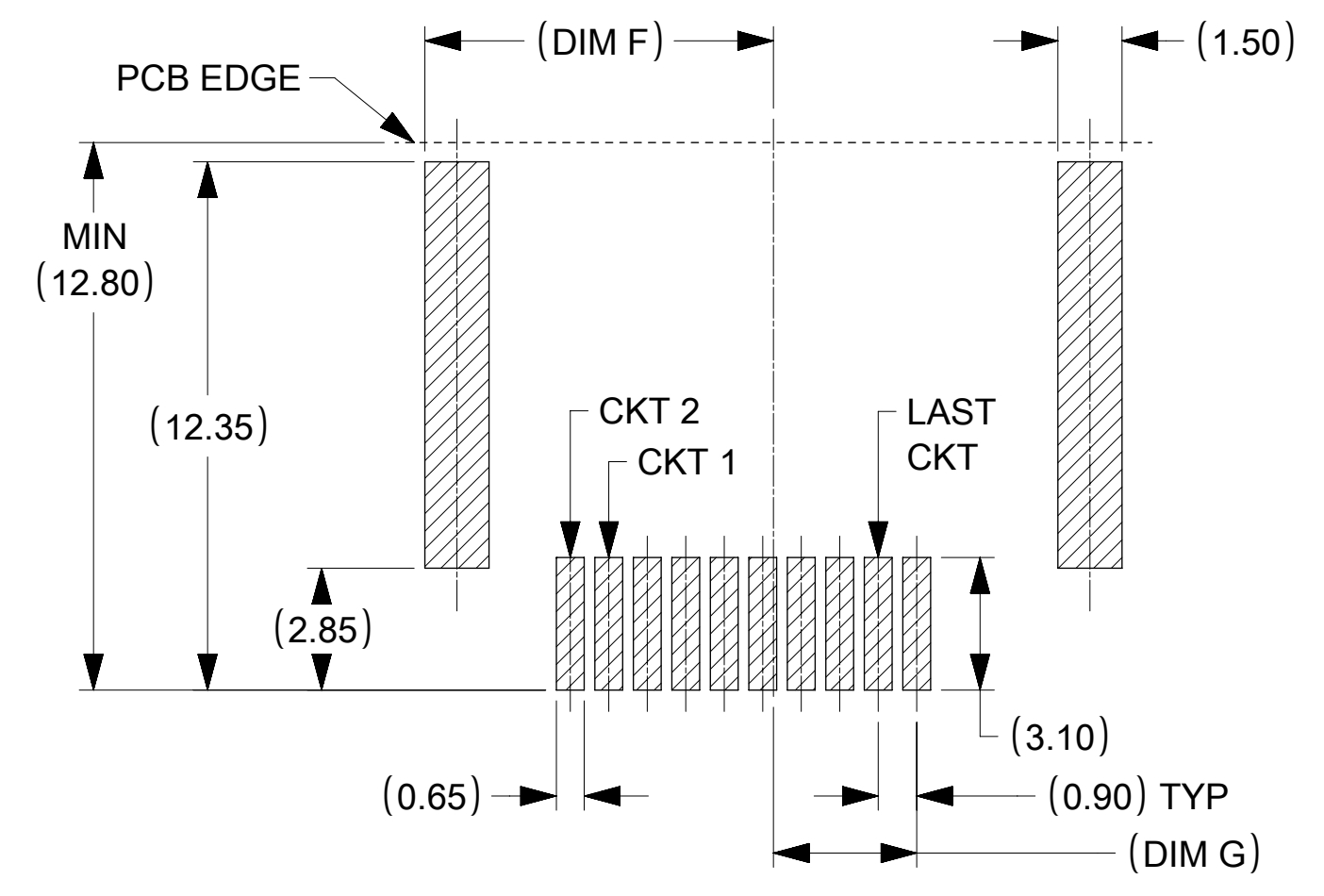
10CKT KEY A (2069582101) SHOWN EXCEPT WHERE NOTED
 REFER TO 2046310002 FOR INTERFACE DIMENSIONS



0.10 (1) ∇
 TO ALL CONTACT SURFACES

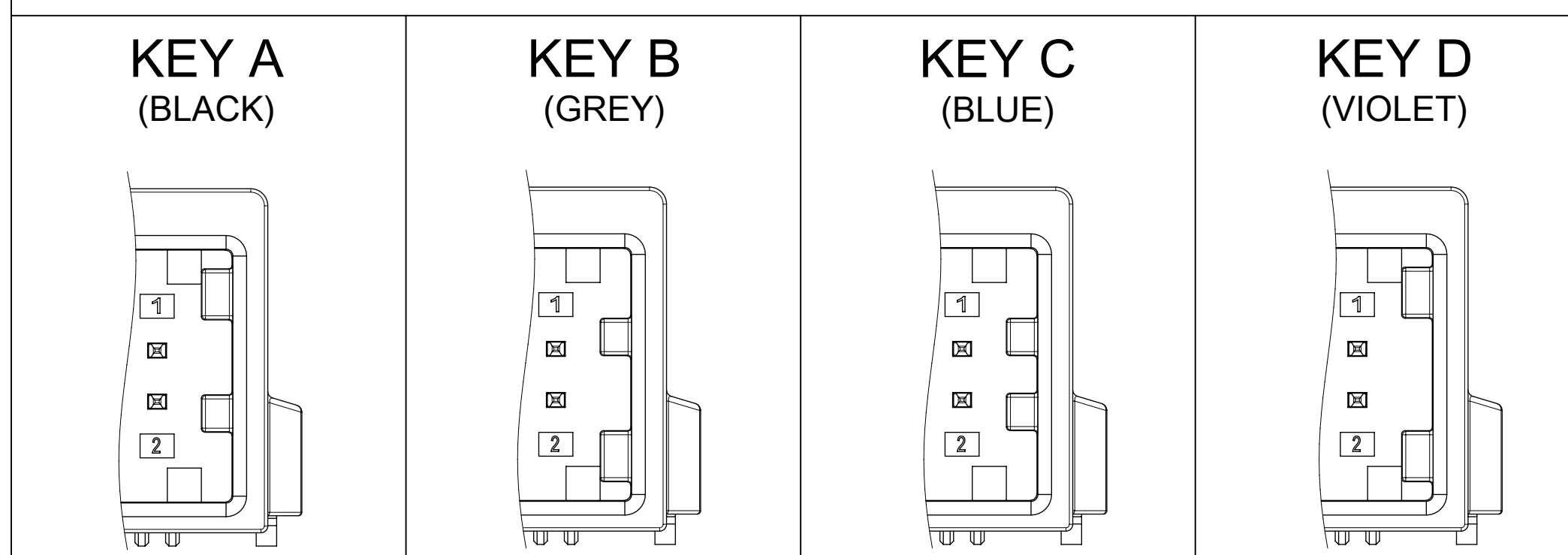


POSSIBLE PCB LAYOUT
 LAND PATTERN SHOWN AT MMC



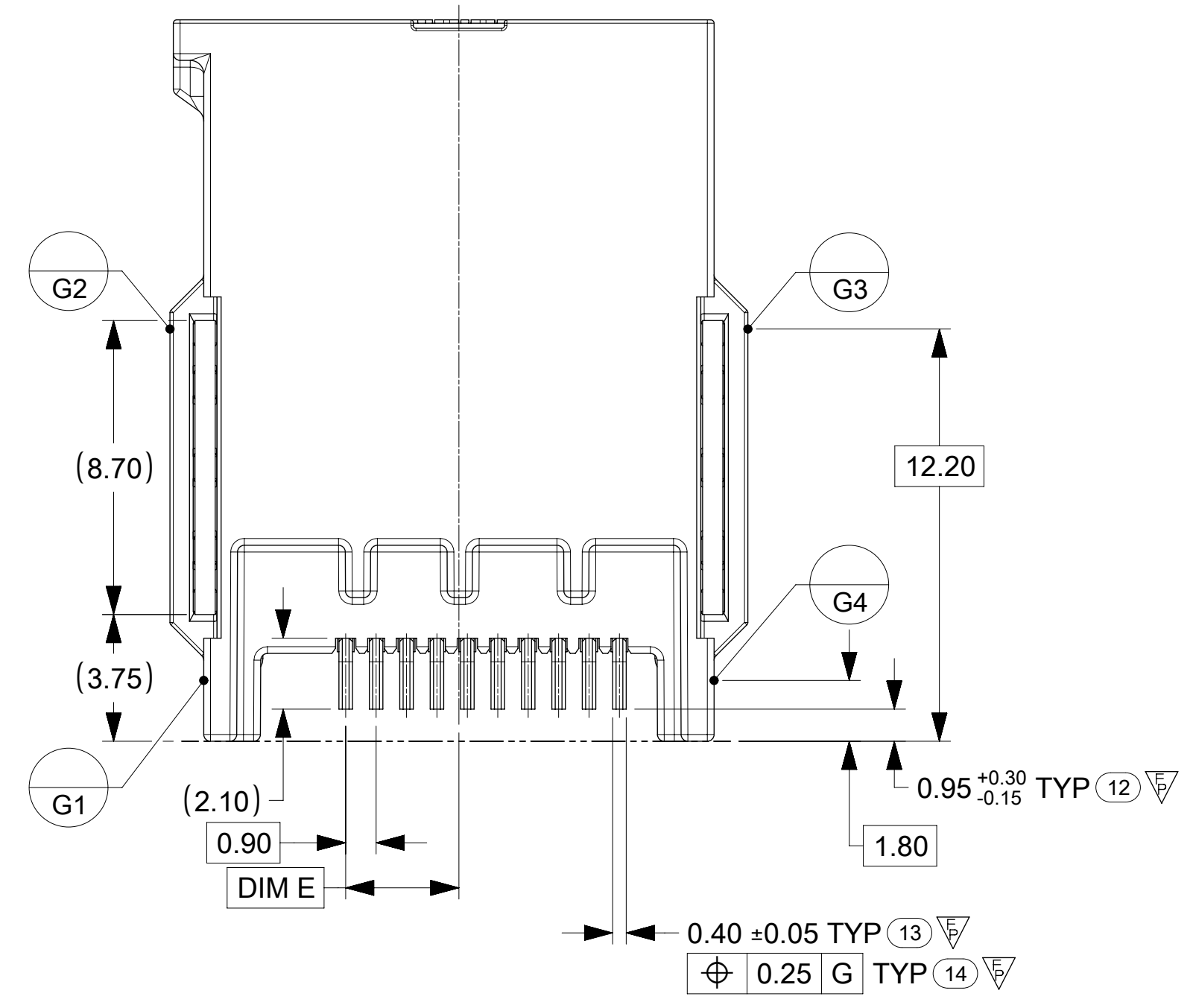
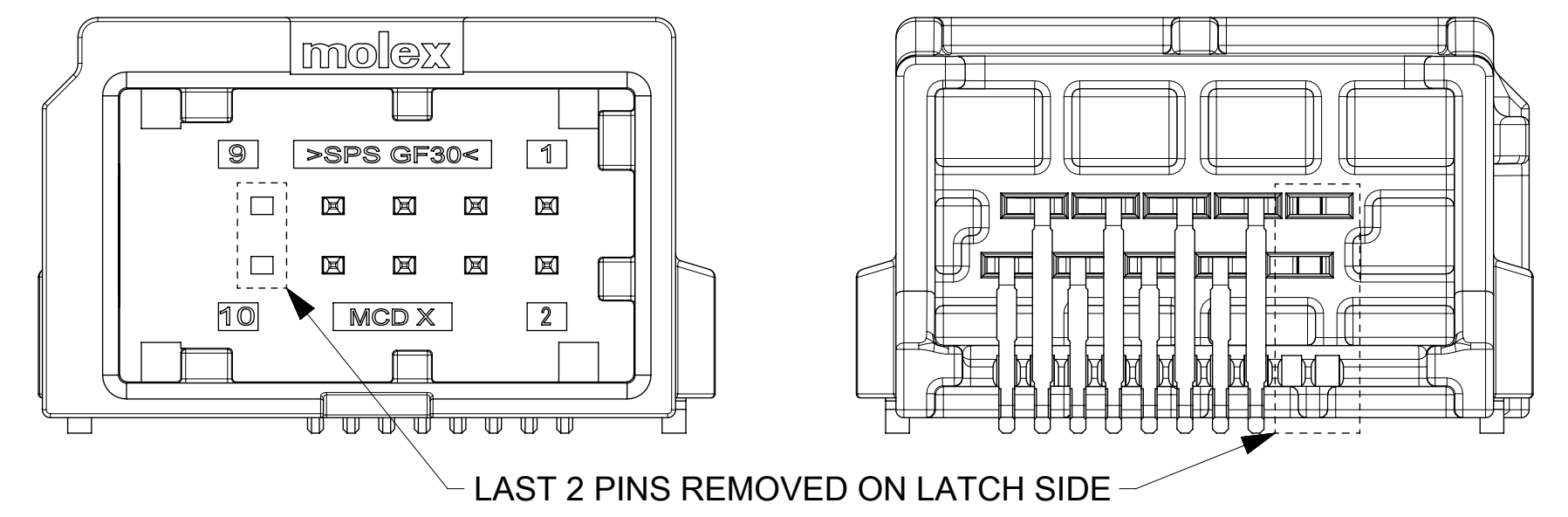
SECTION A-A

KEYING OPTIONS



DEPOPULATED HEADER

8CKT DEPOPULATED HEADER (10CKT INTERFACE) SHOWN
 PART NUMBER: 2069584081



THIS DRAWING CONTAINS INFORMATION THAT IS PROPRIETARY TO MOLEX ELECTRONIC TECHNOLOGIES, LLC AND SHOULD NOT BE USED WITHOUT WRITTEN PERMISSION

| | | | |
|--|-------|------------------------|--------------------------|
| DIMENSION UNITS | SCALE | CURRENT REV DESC: | |
| mm | 6:1 | | |
| GENERAL TOLERANCES (UNLESS SPECIFIED) | | | |
| ANGULAR TOL | \pm | | |
| 4 PLACES | \pm | | |
| 3 PLACES | \pm | | |
| 2 PLACES | \pm | | |
| 1 PLACE | \pm | | |
| 0 PLACES | \pm | | |
| DRAFT WHERE APPLICABLE MUST REMAIN WITHIN DIMENSIONS | | THIRD ANGLE PROJECTION | DRAWING SERIES |
| | | ϕ | D-SIZE 204632 |
| | | | MATERIAL NUMBER CUSTOMER |
| | | | SEE TABLE GENERAL MARKET |
| | | | SHEET NUMBER |
| | | | 2 OF 2 |

EC NO: 678858
 DRWN: ECOLARUSSO 2021/09/23
 CHK'D: KHEWITT 2021/09/28
 APPR: JDUNAJ 2021/09/28
 INITIAL REVISION:
 DRWN: KHEWITT 2018/02/06
 APPR: JDUNAJ 2018/03/05

molex

CONNTAK50 DR R/A SMT HEADER

PRODUCT CUSTOMER DRAWING

DOCUMENT NUMBER: 2046320003
 DOC TYPE: PSD
 DOC PART: 000
 REVISION: D3