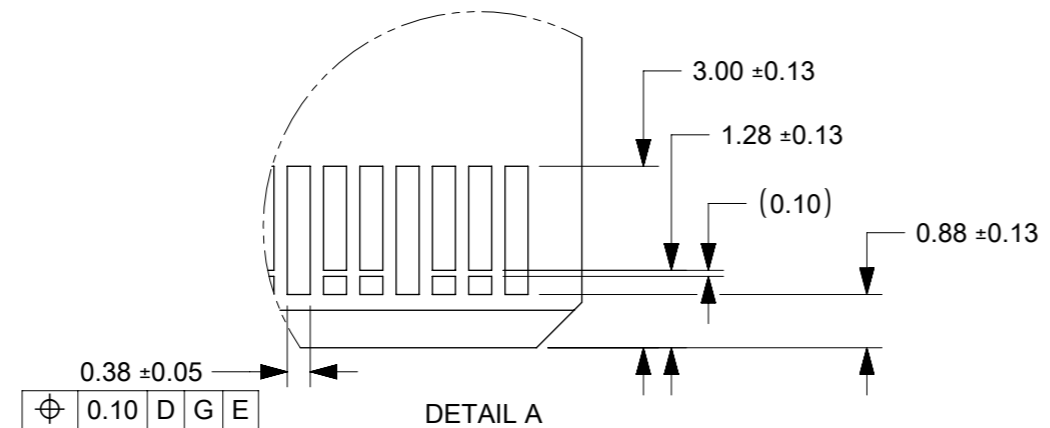
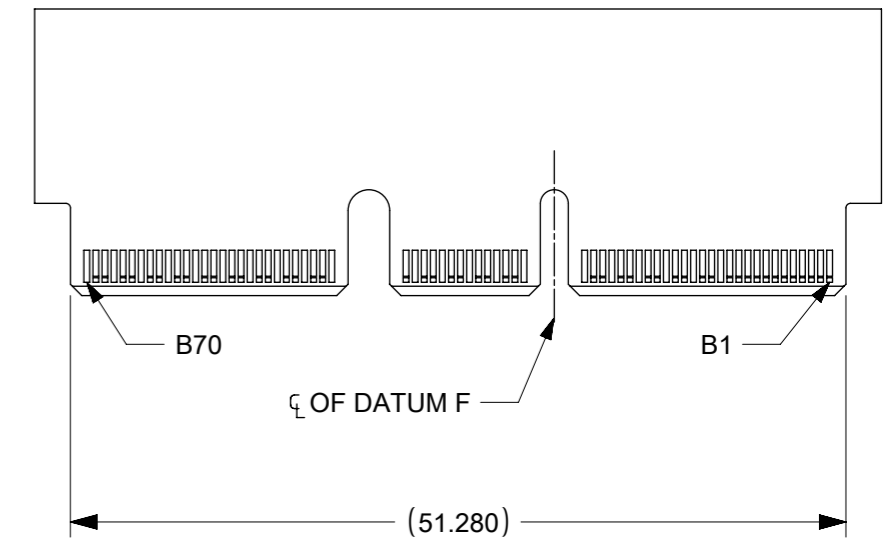
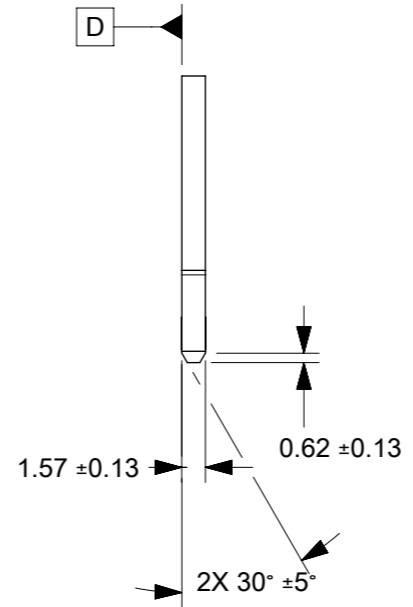
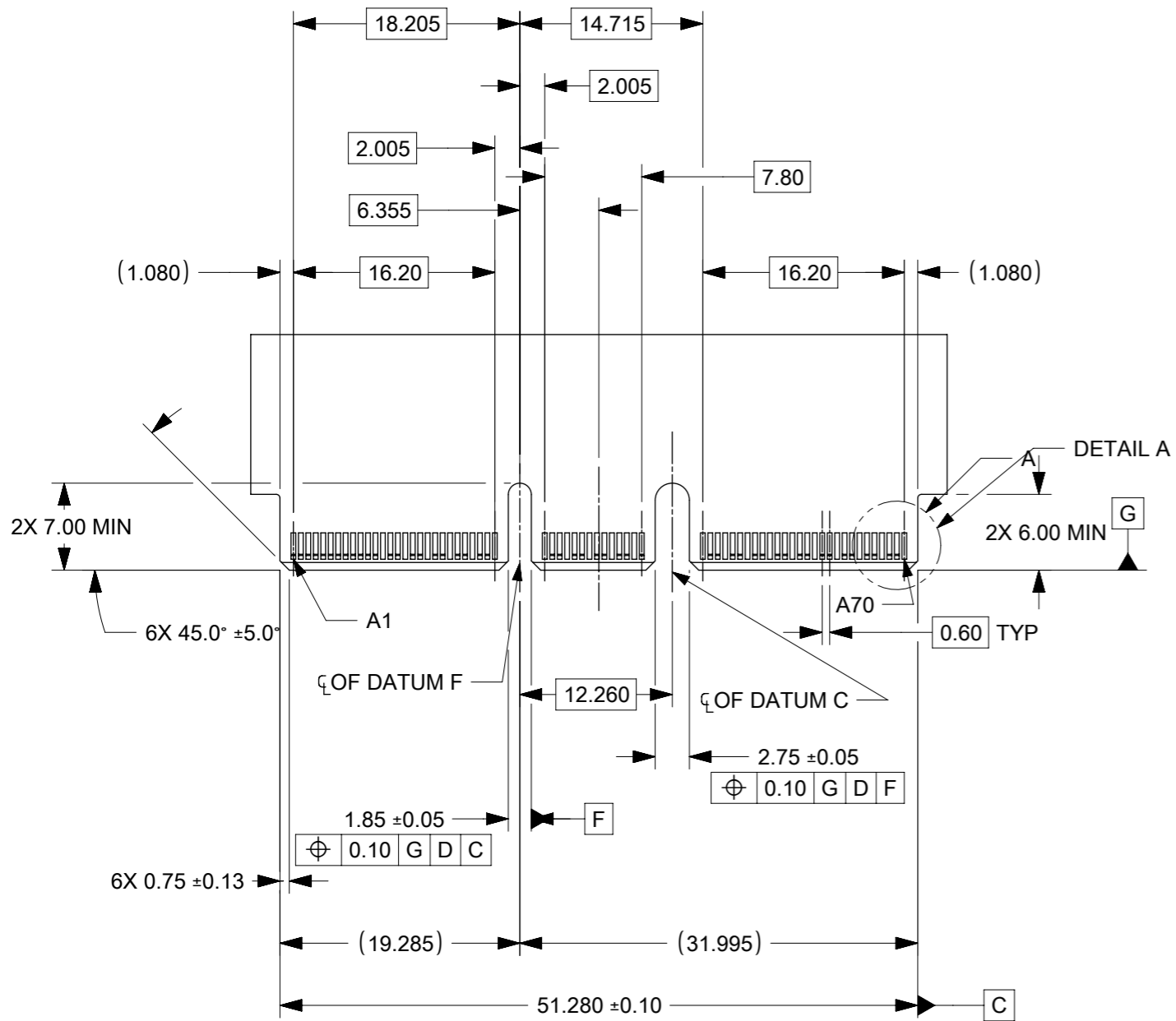


- NOTE:
- MATERIAL :
HOUSING : GLASS FILLED LIQUID CRYSTAL POLYMER UL94-V0 BLACK
CONTACT: COPPER ALLOY
 - FINISH : SEE TABLE
 - PRODUCT SPECIFICATION : SEE TABLE
 - PACKAGING SPECIFICATION : PRODUCT SHALL BE PACKED IN TRAY, SEE TABLE
 - APPLICATION SPECIFICATION :
 - MATING CARD THICKNESS : 1.57 ±0.13
 - PCB THICKNESS : 2.36±0.23
 - MOLEX LOGO, DATECODE & PART NUMBER INDICATED ON HOUSING.

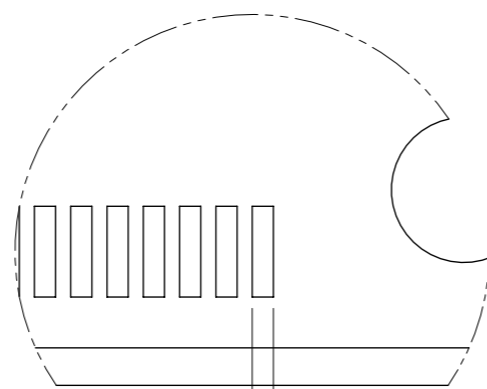
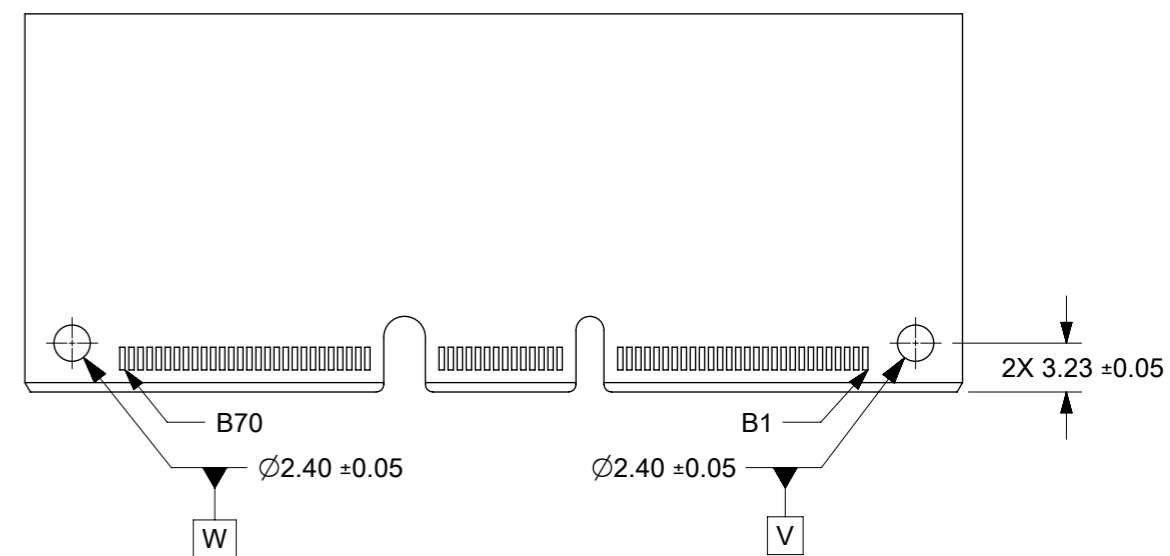
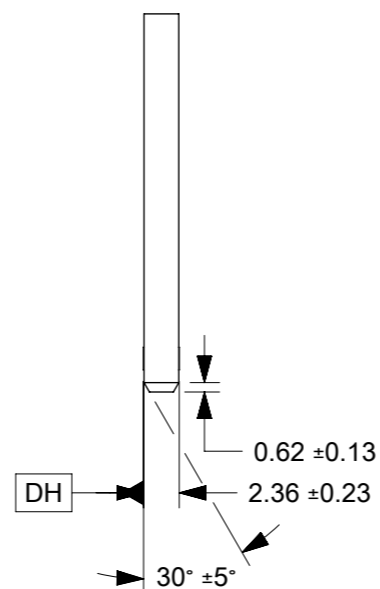
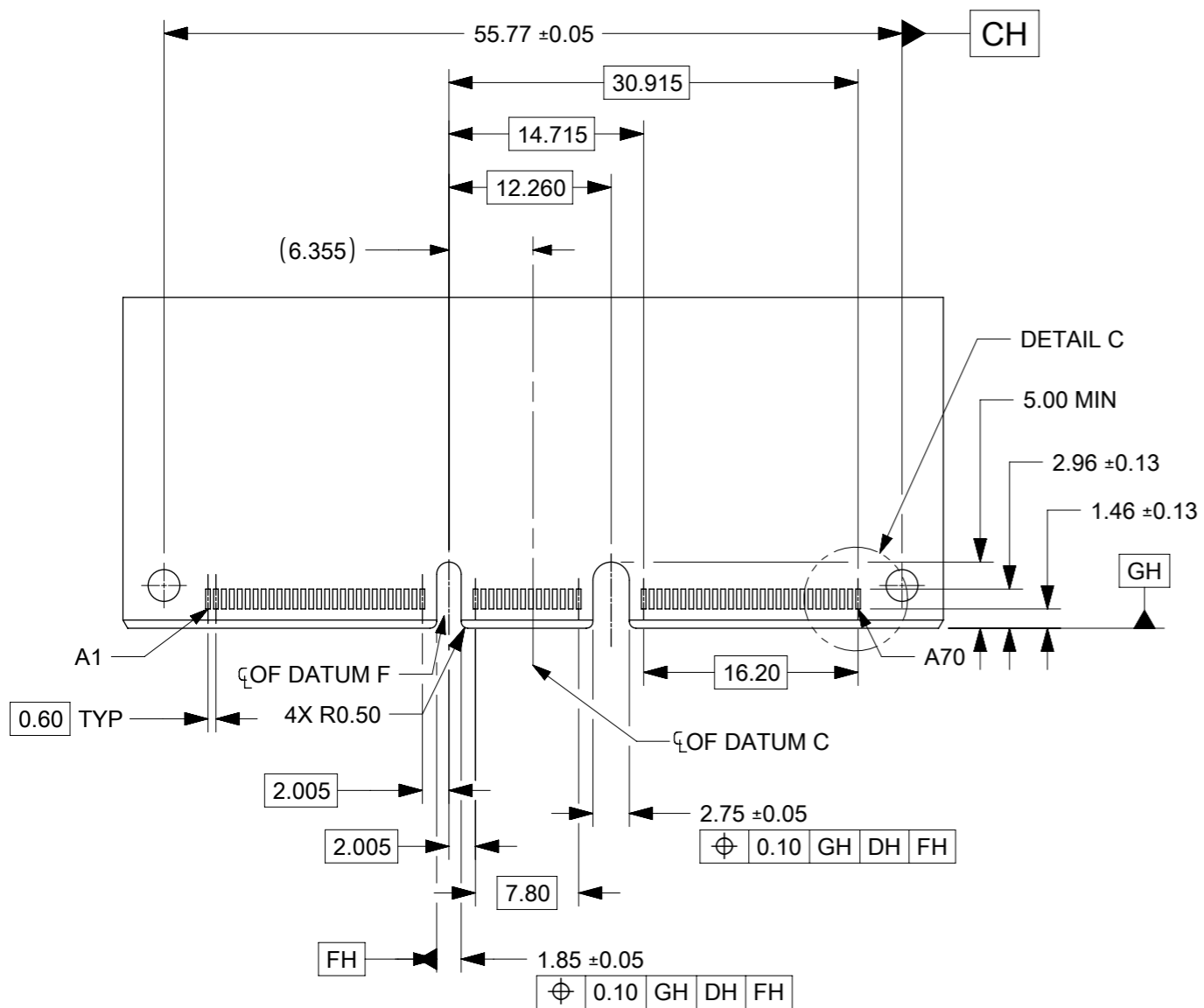
THIS DRAWING CONTAINS INFORMATION THAT IS PROPRIETARY TO MOLEX ELECTRONIC TECHNOLOGIES, LLC AND SHOULD NOT BE USED WITHOUT WRITTEN PERMISSION		CURRENT REV DESC: TYPO CORRECTION		molex	
DIMENSION UNITS	SCALE				
mm	NTS			PRODUCT CUSTOMER DRAWING	
GENERAL TOLERANCES (UNLESS SPECIFIED)				DOCUMENT NUMBER	
ANGULAR TOL ± 0.3°				2072630002	
4 PLACES ±		EC NO: 733426		DOC TYPE	
3 PLACES ±		DRWN: VINODM3		PSD	
2 PLACES ± 0.25		CHK'D: JAKEEMEW		DOC PART	
1 PLACE ±		APPR: SHLENI		000	
0 PLACES ±		INITIAL REVISION:		REVISION	
DRAFT WHERE APPLICABLE MUST REMAIN WITHIN DIMENSIONS		DRWN: PKUMARG		B3	
THIRD ANGLE PROJECTION		APPR: SHLENI			
DRAWING		SERIES			
A3-SIZE		207263			
MATERIAL NUMBER		CUSTOMER			
SEE TABLE		GENERAL MARKET			
SHEET NUMBER					
1 OF 4					

AIC MATING CARD



THIS DRAWING CONTAINS INFORMATION THAT IS PROPRIETARY TO MOLEX ELECTRONIC TECHNOLOGIES, LLC AND SHOULD NOT BE USED WITHOUT WRITTEN PERMISSION		CURRENT REV DESC: TYPO CORRECTION			
DIMENSION UNITS	SCALE				
mm	NTS			EDGELINE SLIVER 4C 2.36MM PCB 140CKT STRADDLE MOUNT	
GENERAL TOLERANCES (UNLESS SPECIFIED)				PRODUCT CUSTOMER DRAWING	
ANGULAR TOL	± 0.3°			DOCUMENT NUMBER	
4 PLACES	±	EC NO: 733426	2022/12/28	2072630002	
3 PLACES	±	DRWN: VINODM3	2023/01/04	DOC TYPE	DOC PART
2 PLACES	± 0.25	CHK'D: JAKEEMEW	2019/07/04	PSD	000
1 PLACE	±	APPR: SHLENI		REVISION	
0 PLACES	±	INITIAL REVISION:		B3	
DRAFT WHERE APPLICABLE MUST REMAIN WITHIN DIMENSIONS		DRWN: PKUMARG	2018/07/30	SHEET NUMBER	
THIRD ANGLE PROJECTION		APPR: SHLENI	2019/07/04	SEE TABLE	GENERAL MARKET
DRAWING		SERIES	MATERIAL NUMBER	CUSTOMER	
A3-SIZE		207263	207263	2 OF 4	

CONNECTOR FOOTPRINT



DETAIL C

THIS DRAWING CONTAINS INFORMATION THAT IS PROPRIETARY TO MOLEX ELECTRONIC TECHNOLOGIES, LLC AND SHOULD NOT BE USED WITHOUT WRITTEN PERMISSION										
DIMENSION UNITS	SCALE	CURRENT REV DESC: TYPO CORRECTION								
mm	NTS									
GENERAL TOLERANCES (UNLESS SPECIFIED)										
ANGULAR TOL	± 0.3°	EDGELINE SLIVER 4C 2.36MM PCB 140CKT STRADDLE MOUNT								
4 PLACES	±									
3 PLACES	±	PRODUCT CUSTOMER DRAWING								
2 PLACES	± 0.25									
1 PLACE	±	2072630002								
0 PLACES	±									
DRAFT WHERE APPLICABLE MUST REMAIN WITHIN DIMENSIONS		THIRD ANGLE PROJECTION	DRAWING	SERIES	MATERIAL NUMBER	CUSTOMER	DOCUMENT NUMBER	DOC TYPE	DOC PART	REVISION
			A3-SIZE	207263	SEE TABLE	GENERAL MARKET	2072630002	PSD	000	B3
DOCUMENT STATUS		P1	RELEASE DATE	2023/01/20	08:36:22					

10 9 8 7 6 5 4 3 2 1

F
E
D
C
B
A

ASSEMBLY PART NO.	CIRCUIT	PLATING OPTION	PRODUCT SPECIFICATION	PACKAGING SPECIFICATION
2072630236	140	0.76µm/30µIn MIN. GOLD ON CONTACT 2.54µm/100µIn MIN. PURE MATTE TIN ON SOLDERTAILS OVER 1.27µm/50µIn MIN. NICKEL UNDERPLATE	2072630236-PS	2072620140-PK

THIS DRAWING CONTAINS INFORMATION THAT IS PROPRIETARY TO MOLEX ELECTRONIC TECHNOLOGIES, LLC AND SHOULD NOT BE USED WITHOUT WRITTEN PERMISSION									
DIMENSION UNITS	SCALE	CURRENT REV DESC: TYPO CORRECTION				molex			
mm	NTS								
GENERAL TOLERANCES (UNLESS SPECIFIED)		EC NO: 733426 DRWN: VINODM3 2022/12/28 CHK'D: JAKEEMEW 2023/01/04 APPR: SHLENI 2023/01/20 INITIAL REVISION: DRWN: PKUMARG 2018/07/30 APPR: SHLENI 2019/07/04				EDGELINE SLIVER 4C 2.36MM PCB 140CKT STRADDLE MOUNT			
ANGULAR TOL	± 0.3 °					PRODUCT CUSTOMER DRAWING			
4 PLACES	±					DOCUMENT NUMBER			
3 PLACES	±					2072630002			
2 PLACES	± 0.25					DOC TYPE			
1 PLACE	±	PSD							
0 PLACES	±	DOC PART							
DRAFT WHERE APPLICABLE MUST REMAIN WITHIN DIMENSIONS		THIRD ANGLE PROJECTION		DRAWING	SERIES	MATERIAL NUMBER	CUSTOMER	REVISION	SHEET NUMBER
				A3-SIZE	207263	SEE TABLE	GENERAL MARKET	B3	4 OF 4

DOCUMENT STATUS	P1	RELEASE DATE	2023/01/20	08:36:22
-----------------	----	--------------	------------	----------

9 8 7 6 5 4 3 2 1

F
E
D
C
B
A