

注記 NOTE

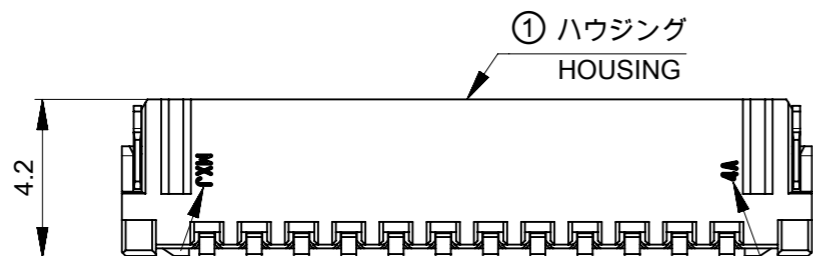
- ① 材料及び仕上げ (めっき仕様) : TABLE 1, TABLE 2
MATERIAL AND FINISHES (PLATING SPECIFICATION)
: SEE TABLE 1, TABLE 2
- ② 嵌合相手 : 505565シリーズ
MATE WITH: 505565SERIES
- ③ 偶数極に適用
APPLY FOR EVEN CIRCUIT.
- 4. 製品仕様書 : 5055650000 PS 000
PRODUCT SPECIFICATION: 5055650000 PS 000
- ⑤ 発注番号 : SHEET5参照
ORDER NO. : PLEASE REFER TO SHEET 5.

505567 ** 7 *

極数
CIRCUIT SIZE

番号 NO.	ハウジングカラー HOUSING COLOR
0	ナチュラル(ベージュ) NATURAL(BEIGE)
1	黒 BLACK
2	赤 RED
3	黄 YELLOW
4	青 BLUE
6	緑 GREEN
8	橙 ORANGE

6. ターミナルとネイルの平坦度は0.1mm以下
TERMINAL AND NAIL COPLANARITY : 0.1mm MAXIMUM.



奇数キャビティ : キャビティ番号及び金型番号
偶数キャビティ : トレードマーク
ODD CAVITY: CAVITY AND MOLD NO.
EVEN CAVITY: TRADE MARK

奇数キャビティ : トレードマーク
偶数キャビティ : キャビティ番号及び金型番号
ODD CAVITY: TRADE MARK
EVEN CAVITY: CAVITY AND MOLD NO.

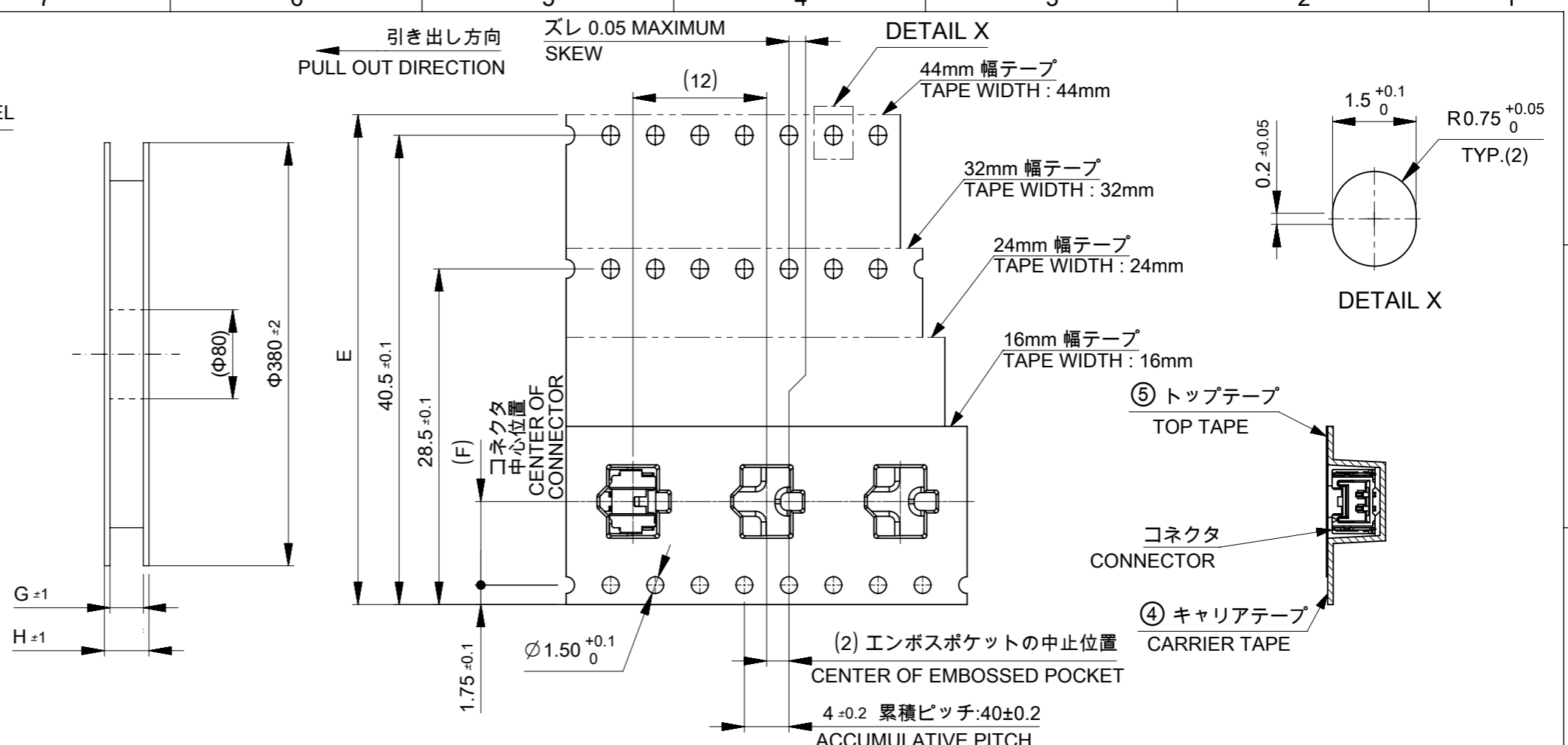
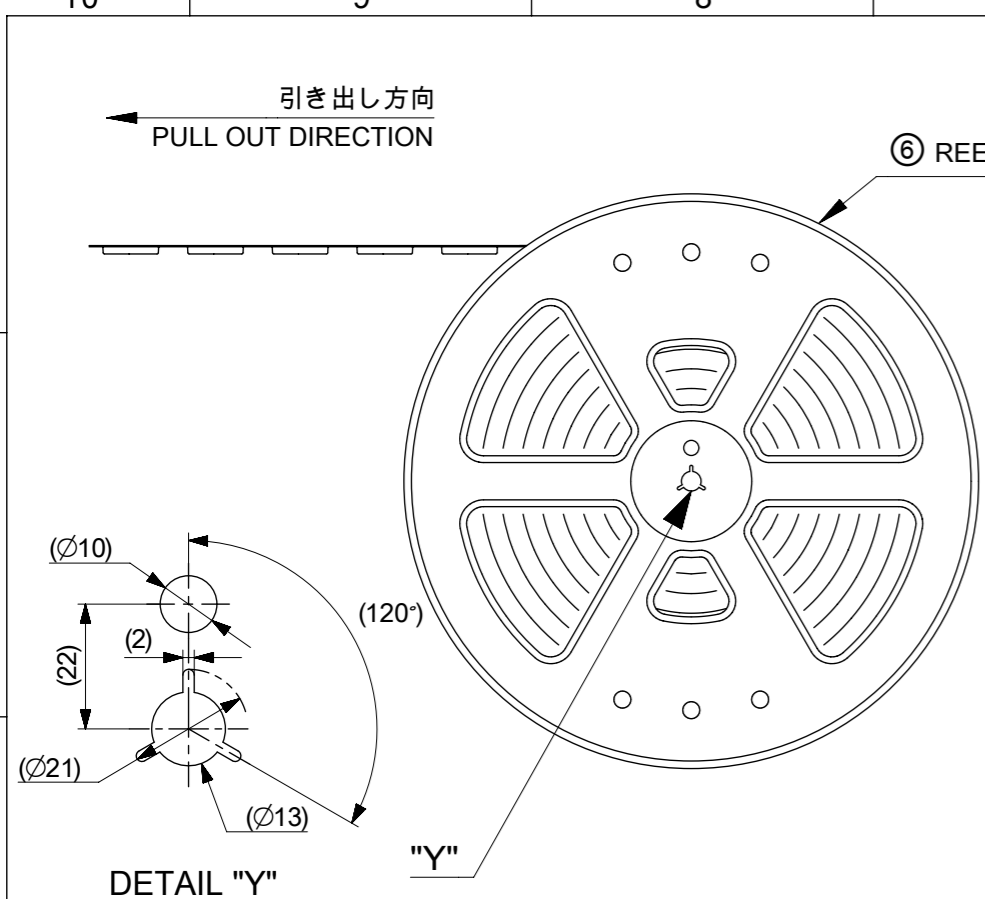
① TABLE 1

番号 NO.	部品 PART	材質 MATERIAL
①	ハウジング HOUSING	ポリアミド(PA), ガラス充填, UL94 V-0, 色 : SHEET 5参照 POLYAMIDE (PA), GLASS FILLED, UL94 V-0, COLOR: SEE SHEET 5
②	ターミナル TERMINAL	黄銅 BRASS
		錫ビスマスめっき : 1.0 MICRO-METER MINIMUM MATTE TIN-BISMUTH PLATING ニッケルめっき(下地全面) : 1.0 MICROMETER MINIMUM NICKEL (UNDER-PLATING OVERALL)
③	ネイル NAIL	黄銅 BRASS
		錫めっき : 1.0 MICROMETER MINIMUM MATTE TIN PLATING ニッケルめっき(下地全面) : 1.0 MICROMETER MINIMUM NICKEL (UNDER-PLATING OVERALL)

49.4	45.4	20.2	44±0.3	10.7	22.2	18.75	23.25	16	
					20.95	17.5	22	15	
					19.7	16.25	20.75	14	
37.4	33.4	14.2	32±0.3	9.2	18.45	15	19.5	13	
					17.2	13.75	18.25	12	
					15.95	12.5	17	11	
					14.7	11.25	15.75	10	
29.4	25.4	11.5	24 ^{+0.3} _{-0.1}	6.7	13.45	10	14.5	9	
					12.2	8.75	13.25	8	
					10.95	7.5	12	7	
					6.6	9.7	6.25	10.75	6
					5.35	8.45	5	9.5	5
21.4	17.4	7.5	16 ^{+0.3} _{-0.1}	2.85	5.95	2.5	7	3	
					1.9	4.7	1.25	5.75	2
					H	G	F	E	D

THIS DRAWING CONTAINS INFORMATION THAT IS PROPRIETARY TO MOLEX ELECTRONIC TECHNOLOGIES, LLC AND SHOULD NOT BE USED WITHOUT WRITTEN PERMISSION

DIMENSION UNITS	SCALE	CURRENT REV DESC: REVISED		molex		
mm	NTS					
GENERAL TOLERANCES (UNLESS SPECIFIED)				MICRO-LOCK PLUS 1.25 W/B SINGLE ROW RIGHT ANGLE SMT PLUG ASSEMBLY		
ANGULAR TOL	± 3.0°	EC NO: 620885				
4 PLACES	± 0.2	DRWN: TAKAIKE	2019/07/16	PRODUCT CUSTOMER DRAWING		
3 PLACES	± 0.2	CHK'D: SAKIYAMA	2019/07/19			
2 PLACES	± 0.2	APPR: KOMURAKAMI	2019/07/31	DOCUMENT NUMBER: 5055670000-SD DOC TYPE: PSD DOC PART: 000 REVISION: B		
1 PLACE	± 0.2	INITIAL REVISION:				
0 PLACES	± 0.2	DRWN: RWATANABE01	2017/11/24	MATERIAL NUMBER: SEE SHEET 5 CUSTOMER: GENERAL SHEET NUMBER: 1 OF 5		
DRAFT WHERE APPLICABLE MUST REMAIN WITHIN DIMENSIONS		APPR: TKANEKO	2017/12/06			
THIRD ANGLE PROJECTION		DRAWING: A3-SIZE	SERIES: 505567			



注記 NOTE

- 7. 梱包数量 : 1200個 / リール
NUMBER OF CONNECTORS : 1200 PCS/REEL.
- 8. リードテープ長さ LEAD TAPE LENGTH.
- 9. トップテープの剥離強度はIEC60286-3に準拠
TOP TAPE PEELING FORCE IS DEFINED BY IEC60286-3.
- 10. 梱包仕様書 : 5055679200 PS 200
PACKING SPECIFICATION : 5055679200 PS 200

TABLE 2

番号 NO.	部品 PART	材質 MATERIAL
④	キャリアテープ CARRIER TAPE	ポリスチレン(PS) POLYSTYRENE(PS)
⑤	トップテープ TOP TAPE	ポリエチレン(PE), その他 POLYETHYLENE(PE), ETC
⑥	リール REEL	ポリスチレン(PS) <リサイクル材を含む> POLYSTYRENE(PS) <RECYCLE MATERIAL CONTAINED>

THIS DRAWING CONTAINS INFORMATION THAT IS PROPRIETARY TO MOLEX ELECTRONIC TECHNOLOGIES, LLC AND SHOULD NOT BE USED WITHOUT WRITTEN PERMISSION

DIMENSION UNITS	SCALE	CURRENT REV DESC: REVISED		molex		
mm	NTS					
GENERAL TOLERANCES (UNLESS SPECIFIED)		EC NO: 620885		MICRO-LOCK PLUS 1.25 W/B		
ANGULAR TOL	± 3.0 °	DRWN: TAKAIKE	2019/07/16	SINGLE ROW RIGHT ANGLE SMT PLUG ASSEMBLY		
4 PLACES	± 0.2	CHK'D: SAKIYAMA	2019/07/19	PRODUCT CUSTOMER DRAWING		
3 PLACES	± 0.2	APPR: KOMURAKAMI	2019/07/31	DOCUMENT NUMBER		
2 PLACES	± 0.2	INITIAL REVISION:		5055670000-SD		
1 PLACE	± 0.2	DRWN: RWATANABE01	2017/11/24	DOC TYPE	DOC PART	REVISION
0 PLACES	± 0.2	APPR: TKANEKO	2017/12/06	PSD	000	B
DRAFT WHERE APPLICABLE MUST REMAIN WITHIN DIMENSIONS		THIRD ANGLE PROJECTION	DRAWING	SERIES	MATERIAL NUMBER	CUSTOMER
			A3-SIZE	505567	SEE SHEET5	GENERAL
						SHEET NUMBER
						4 OF 5

△ 505567**7* 製品番号一覧 PRODUCT NUMBER LIST

橙 ORANGE	緑 GREEN	青 BLUE	黄 YELLOW	赤 RED	黒 BLACK	ナチュラル (ベージュ) NATURAL (BEIGE)	HOUSING COLOR
5055671678	5055671676	5055671674	5055671673	5055671672	5055671671	5055671670	16
5055671578	5055671576	5055671574	5055671573	5055671572	5055671571	5055671570	15
5055671478	5055671476	5055671474	5055671473	5055671472	5055671471	5055671470	14
5055671378	5055671376	5055671374	5055671373	5055671372	5055671371	5055671370	13
5055671278	5055671276	5055671274	5055671273	5055671272	5055671271	5055671270	12
5055671178	5055671176	5055671174	5055671173	5055671172	5055671171	5055671170	11
5055671078	5055671076	5055671074	5055671073	5055671072	5055671071	5055671070	10
5055670978	5055670976	5055670974	5055670973	5055670972	5055670971	5055670970	9
5055670878	5055670876	5055670874	5055670873	5055670872	5055670871	5055670870	8
5055670778	5055670776	5055670774	5055670773	5055670772	5055670771	5055670770	7
5055670678	5055670676	5055670674	5055670673	5055670672	5055670671	5055670670	6
5055670578	5055670576	5055670574	5055670573	5055670572	5055670571	5055670570	5
5055670478	5055670476	5055670474	5055670473	5055670472	5055670471	5055670470	4
5055670378	5055670376	5055670374	5055670373	5055670372	5055670371	5055670370	3
5055670278	5055670276	5055670274	5055670273	5055670272	5055670271	5055670270	2
発注番号 ORDER NO.							極数 CIRCUIT SIZE
梱包形態：キャリアテープ梱包 PACKAGING：CARRIER TAPE AND REEL							

THIS DRAWING CONTAINS INFORMATION THAT IS PROPRIETARY TO MOLEX ELECTRONIC TECHNOLOGIES, LLC AND SHOULD NOT BE USED WITHOUT WRITTEN PERMISSION										
DIMENSION UNITS	SCALE	CURRENT REV DESC: REVISED				molex				
mm	NTS									
GENERAL TOLERANCES (UNLESS SPECIFIED)		EC NO: 620885				MICRO-LOCK PLUS 1.25 W/B				
ANGULAR TOL	± 3.0 °	DRWN: TAKAIKE		2019/07/16		SINGLE ROW RIGHT ANGLE SMT PLUG ASSEMBLY				
4 PLACES	± 0.2	CHK'D: SAKIYAMA		2019/07/19		PRODUCT CUSTOMER DRAWING				
3 PLACES	± 0.2	APPR: KOMURAKAMI		2019/07/31						
2 PLACES	± 0.2	INITIAL REVISION:				DOCUMENT NUMBER				
1 PLACE	± 0.2	DRWN: RWATANABE01		2017/11/24		5055670000-SD		DOC TYPE	DOC PART	REVISION
0 PLACES	± 0.2	APPR: TKANEKO		2017/12/06				PSD	000	B
DRAFT WHERE APPLICABLE MUST REMAIN WITHIN DIMENSIONS		THIRD ANGLE PROJECTION	DRAWING	SERIES	MATERIAL NUMBER	CUSTOMER		SHEET NUMBER		
			A3-SIZE	505567	SEE SHEET5	GENERAL		5 OF 5		

NOTES

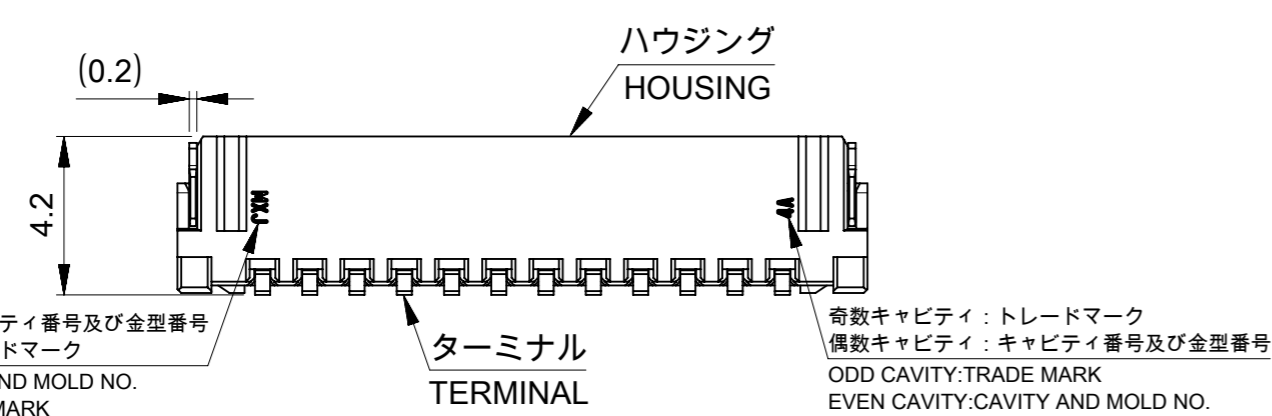
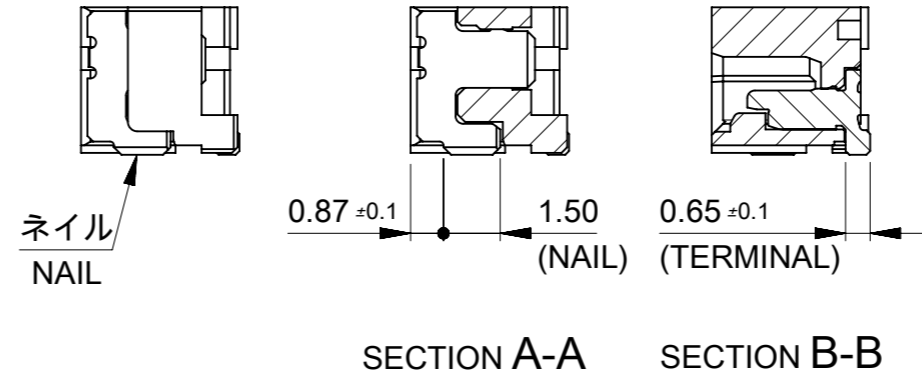
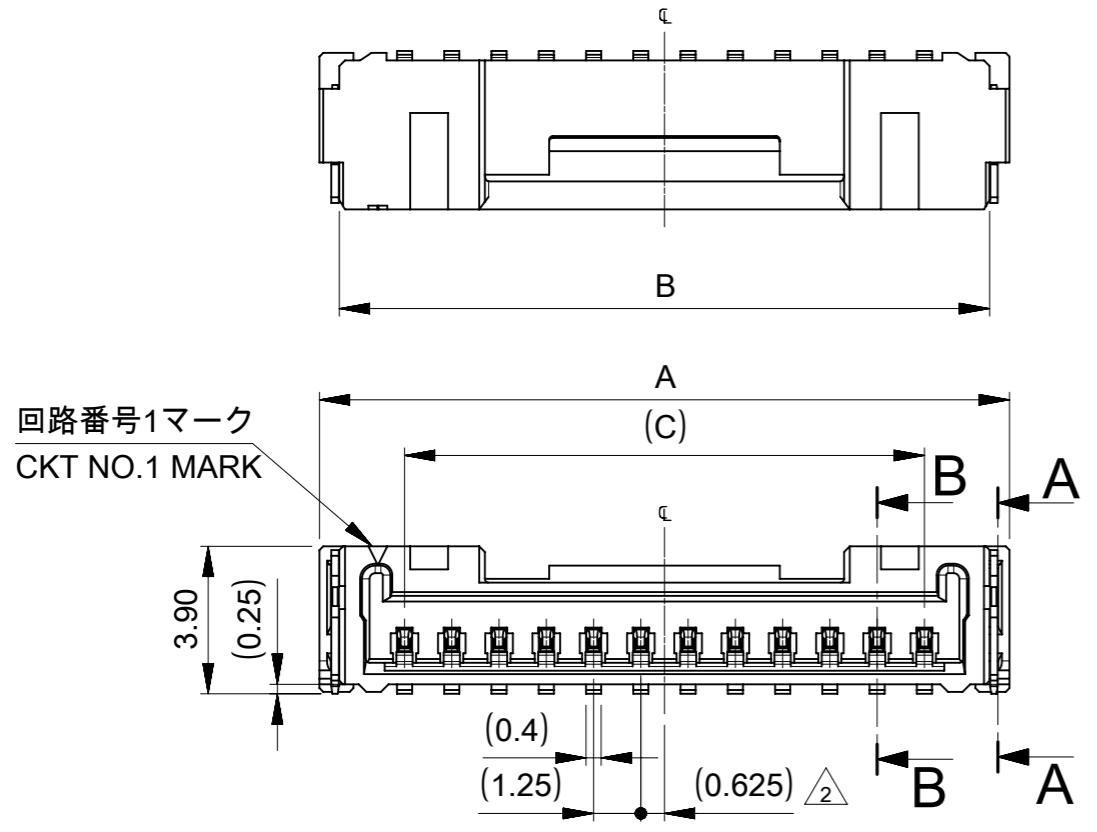
- 1. 嵌合相手 : 505565**0*
MATE WITH: 505565**0*
- △2 偶数極 に適用
APPLY FOR EVEN CKT.
- 3. 製品仕様書 : 5055650000
PRODUCT SPECIFICATION:5055650000
- 4. オーダー番号と色、極数の関係
RELATION ORDER NUMBER AND COLOR, CKT.

505567**7*

NO.	COLOR
0	NATURAL
1	BLACK
2	RED
3	YELLOW
4	BLUE
6	GREEN
8	ORANGE

極数 色
CIRCUIT NO. COLOR

5. ターミナルとネイルの平坦度は0.1mm以下
TERMINAL AND NAIL COPLANARITY : 0.1mm MAX.

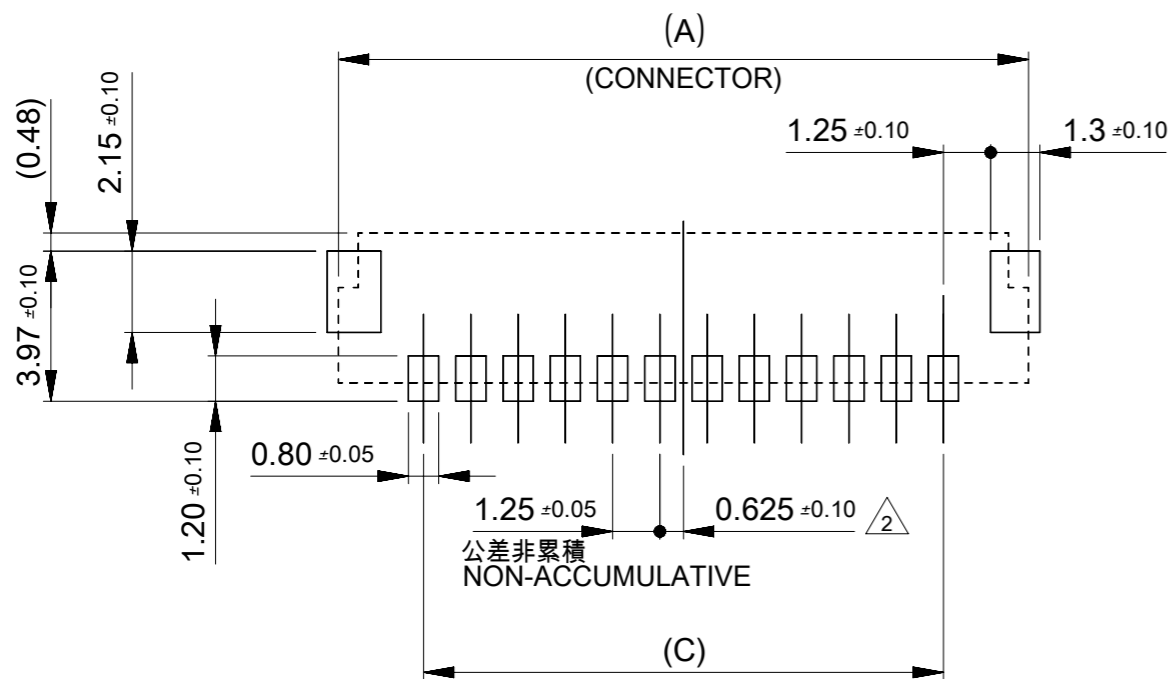


10.7	18.75	22.2	23.25	505567167*	16
10.7	17.5	20.95	22	505567157*	15
10.7	16.25	19.7	20.75	505567147*	14
9.2	15	18.45	19.5	505567137*	13
9.2	13.75	17.2	18.25	505567127*	12
9.2	12.5	15.95	17	505567117*	11
9.2	11.25	14.7	15.75	505567107*	10
6.7	10	13.45	14.5	505567097*	9
6.7	8.75	12.2	13.25	505567087*	8
6.7	7.5	10.95	12	505567077*	7
6.6	6.25	9.7	10.75	505567067*	6
5.35	5	8.45	9.5	505567057*	5
4.1	3.75	7.2	8.25	505567047*	4
2.85	2.5	5.95	7	505567037*	3
1.9	1.25	4.7	5.75	505567027*	2
D	C	B	A	EMBOSSED TAPE PKG	極数 CKT NO.
				ORDER NO.	

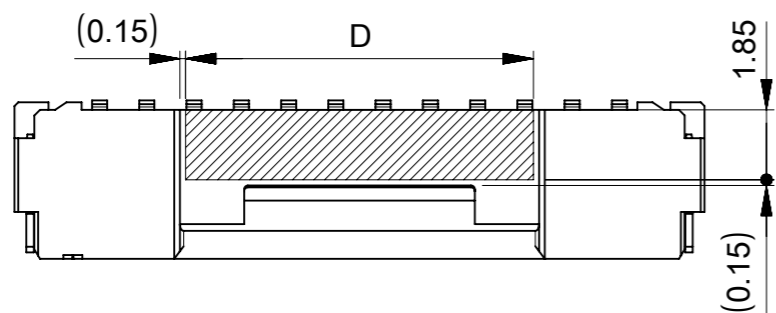
部品 PART	材質 MATERIAL
ハウジング HOUSING	ポリアミド(PA)、ガラス充填、UL94 V-0、色 : SHEET 2参照 POLYAMIDE (PA), GLASS FILLED, UL94 V-0, COLOR: SEE SHEET 2
ターミナル TERMINAL	黄銅 BRASS
	錫ビスマスめっき : 1.0 MICRO-METER MIN. TIN-BISMUTH PLATED (MATTE TIN)
ネイル NAIL	ニッケルめっき(下地) : 1.0 MICRO-METER MIN. NICKEL (UNDER-PLATED)
	黄銅 BRASS
	錫めっき : 1.0 MICRO-METER MIN. MATTE TIN PLATED
	ニッケルめっき(下地) : 1.0 MICRO-METER MIN. NICKEL (UNDER-PLATED)

THIS DRAWING CONTAINS INFORMATION THAT IS PROPRIETARY TO MOLEX ELECTRONIC TECHNOLOGIES, LLC AND SHOULD NOT BE USED WITHOUT WRITTEN PERMISSION

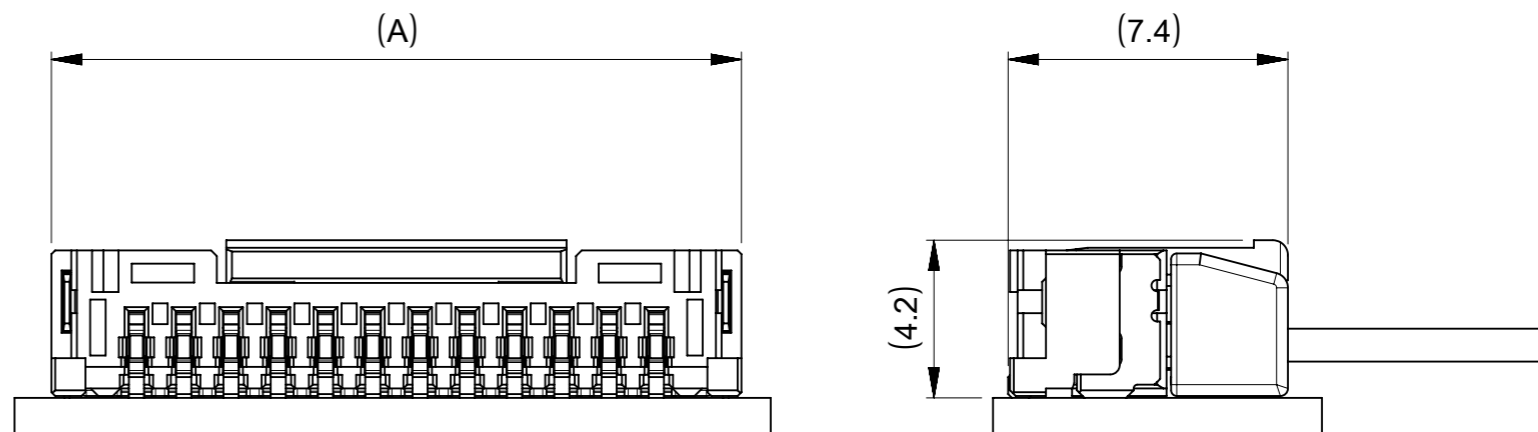
REDRAWN EC NO: 168093 DRWN: RWATANABE01 CHK'D: KOMURAKAMI APPR: TKANEKO	2017/11/27 2017/12/04 2017/12/06	GENERAL TOLERANCES (UNLESS SPECIFIED) ANGULAR TOL ± 1.0 °	DIMENSION UNITS: mm SCALE: 5:1		
	4 PLACES ± 0.2 3 PLACES ± 0.2 2 PLACES ± 0.2 1 PLACE ± 0.2 0 PLACES ± 0.2	DRWN BY: RWATANABE01 DATE: 2017/11/27	CHK'D BY: KOMURAKAMI DATE: 2017/12/04		MICRO-LOCK PLUS 1.25 W/B SINGLE ROW RA SMT PLUG ASSY
	DRAFT WHERE APPLICABLE MUST REMAIN WITHIN DIMENSIONS	APPR BY: TKANEKO DATE: 2017/12/06	DRAWING SIZE: A3 THIRD ANGLE PROJECTION		PRODUCT CUSTOMER DRAWING
		SERIES: 505567 MATERIAL NUMBER: SEE SHEET2 CUSTOMER: GENERAL	DOCUMENT NUMBER: 5055670001-SD DOC TYPE: PSD DOC PART: 000 SHEET NUMBER: 1 OF 2		



推奨基板レイアウト
 RECOMMENDED PCB PATTERN LAYOUT
 (参考:メタルマスク厚さ 150μm, マスク開口率 100%)
 (REFERENCE: METAL MASK THICKNESS 150μm, APERTURE RASIO 100%)



吸着範囲
 VACUUM AREA



嵌合状態図
 MATED CONNECTORS

ORANGE	GREEN	BLUE	YELLOW	RED	BLACK	NATURAL (BEIGE)	HOUSING COLOR
5055671678	5055671676	5055671674	5055671673	5055671672	5055671671	5055671670	16
5055671578	5055671576	5055671574	5055671573	5055671572	5055671571	5055671570	15
5055671478	5055671476	5055671474	5055671473	5055671472	5055671471	5055671470	14
5055671378	5055671376	5055671374	5055671373	5055671372	5055671371	5055671370	13
5055671278	5055671276	5055671274	5055671273	5055671272	5055671271	5055671270	12
5055671178	5055671176	5055671174	5055671173	5055671172	5055671171	5055671170	11
5055671078	5055671076	5055671074	5055671073	5055671072	5055671071	5055671070	10
5055670978	5055670976	5055670974	5055670973	5055670972	5055670971	5055670970	9
5055670878	5055670876	5055670874	5055670873	5055670872	5055670871	5055670870	8
5055670778	5055670776	5055670774	5055670773	5055670772	5055670771	5055670770	7
5055670678	5055670676	5055670674	5055670673	5055670672	5055670671	5055670670	6
5055670578	5055670576	5055670574	5055670573	5055670572	5055670571	5055670570	5
5055670478	5055670476	5055670474	5055670473	5055670472	5055670471	5055670470	4
5055670378	5055670376	5055670374	5055670373	5055670372	5055670371	5055670370	3
5055670278	5055670276	5055670274	5055670273	5055670272	5055670271	5055670270	2
EMBOSSED TAPE PKG	EMBOSSED TAPE PKG	EMBOSSED TAPE PKG	EMBOSSED TAPE PKG	EMBOSSED TAPE PKG	EMBOSSED TAPE PKG	EMBOSSED TAPE PKG	極数 CKT NO.
ORDER NO.	ORDER NO.	ORDER NO.	ORDER NO.	ORDER NO.	ORDER NO.	ORDER NO.	

THIS DRAWING CONTAINS INFORMATION THAT IS PROPRIETARY TO MOLEX ELECTRONIC TECHNOLOGIES, LLC AND SHOULD NOT BE USED WITHOUT WRITTEN PERMISSION

REDRAWN EC NO: 168093 DRWN: RWATANABE01 CHK'D: KOMURAKAMI APPR: TKANEKO	2017/11/27 2017/12/04 2017/12/06	GENERAL TOLERANCES (UNLESS SPECIFIED) ANGULAR TOL ± 1.0 ° 4 PLACES ± 0.2 3 PLACES ± 0.2 2 PLACES ± 0.2 1 PLACE ± 0.2 0 PLACES ± 0.2	DIMENSION UNITS: mm SCALE: NTS 5:1 DRWN BY: RWATANABE01 DATE: 2017/11/27 CHK'D BY: KOMURAKAMI DATE: 2017/12/04 APPR BY: TKANEKO DATE: 2017/12/06	<p>MICRO-LOCK PLUS 1.25 W/B SINGLE ROW RA SMT PLUG ASSY</p> <p>PRODUCT CUSTOMER DRAWING</p> <p>SERIES: 505567 MATERIAL NUMBER: SEE TABLE CUSTOMER: GENERAL</p> <p>DOCUMENT NUMBER: 5055670001-SD DOC TYPE: PSD DOC PART: 000 SHEET NUMBER: 2 OF 2</p>
	DRAFT WHERE APPLICABLE MUST REMAIN WITHIN DIMENSIONS		DRAWING SIZE: A3 THIRD ANGLE PROJECTION	