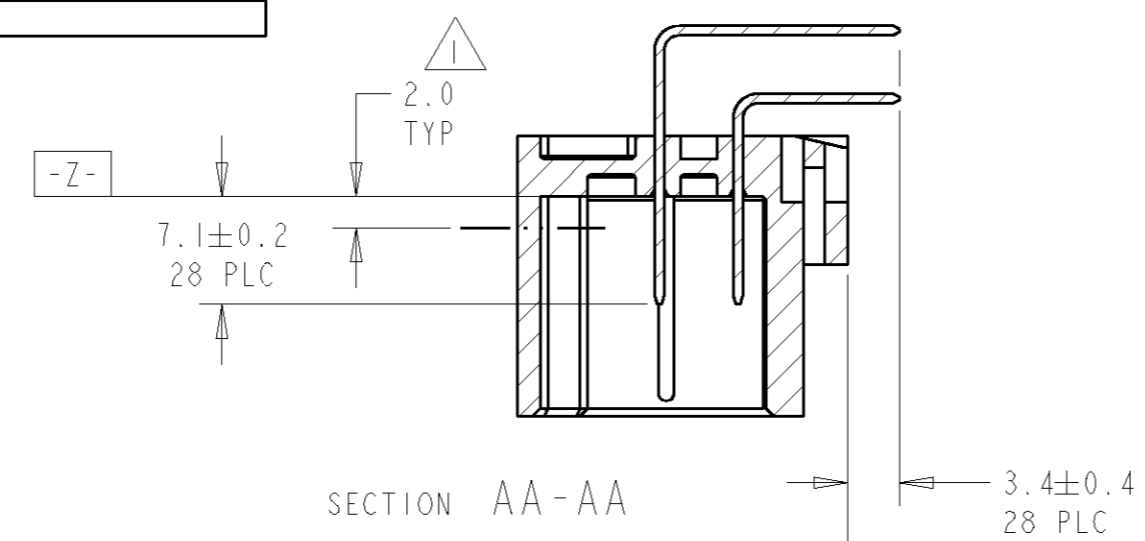
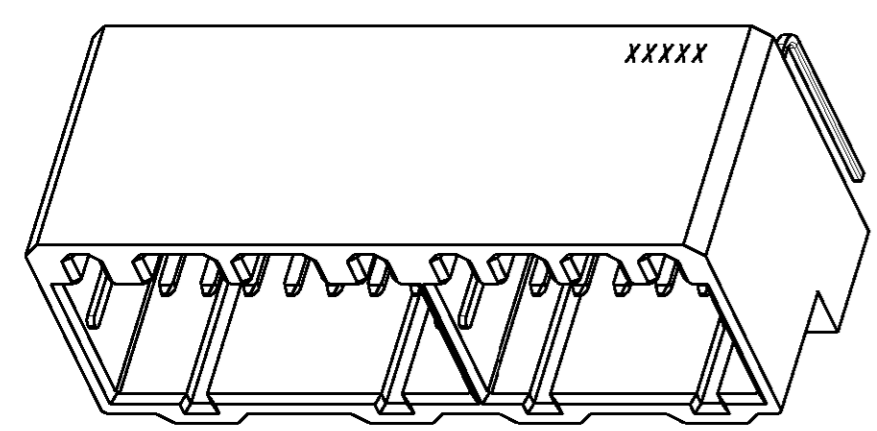
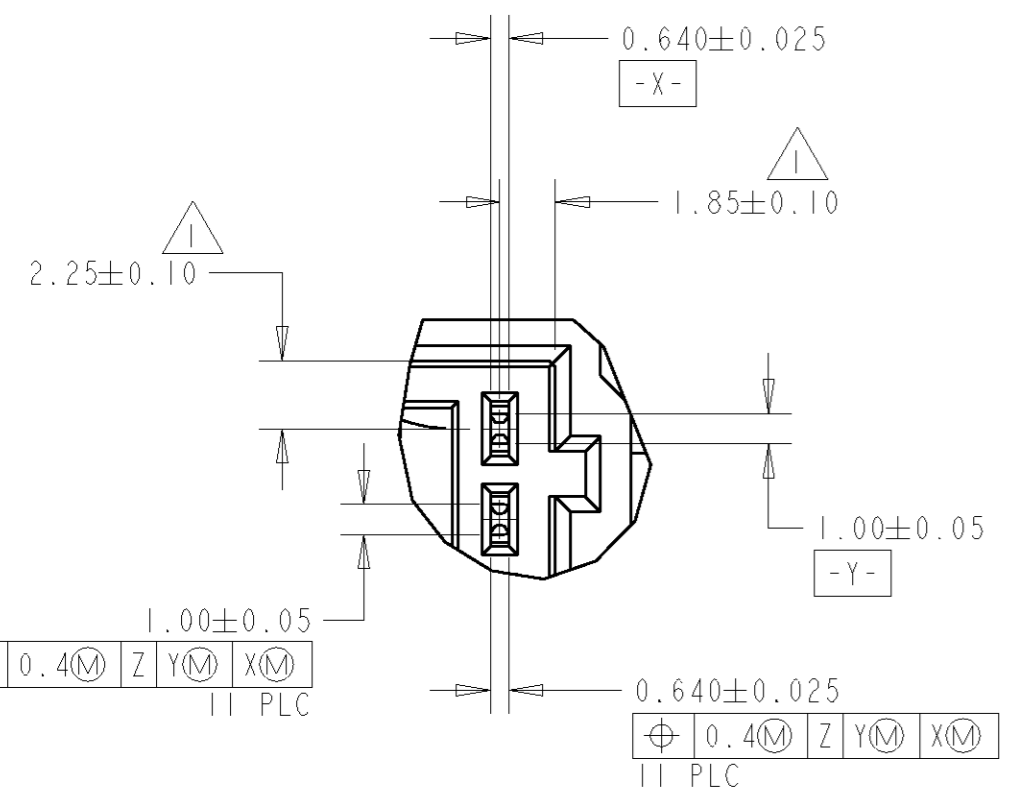
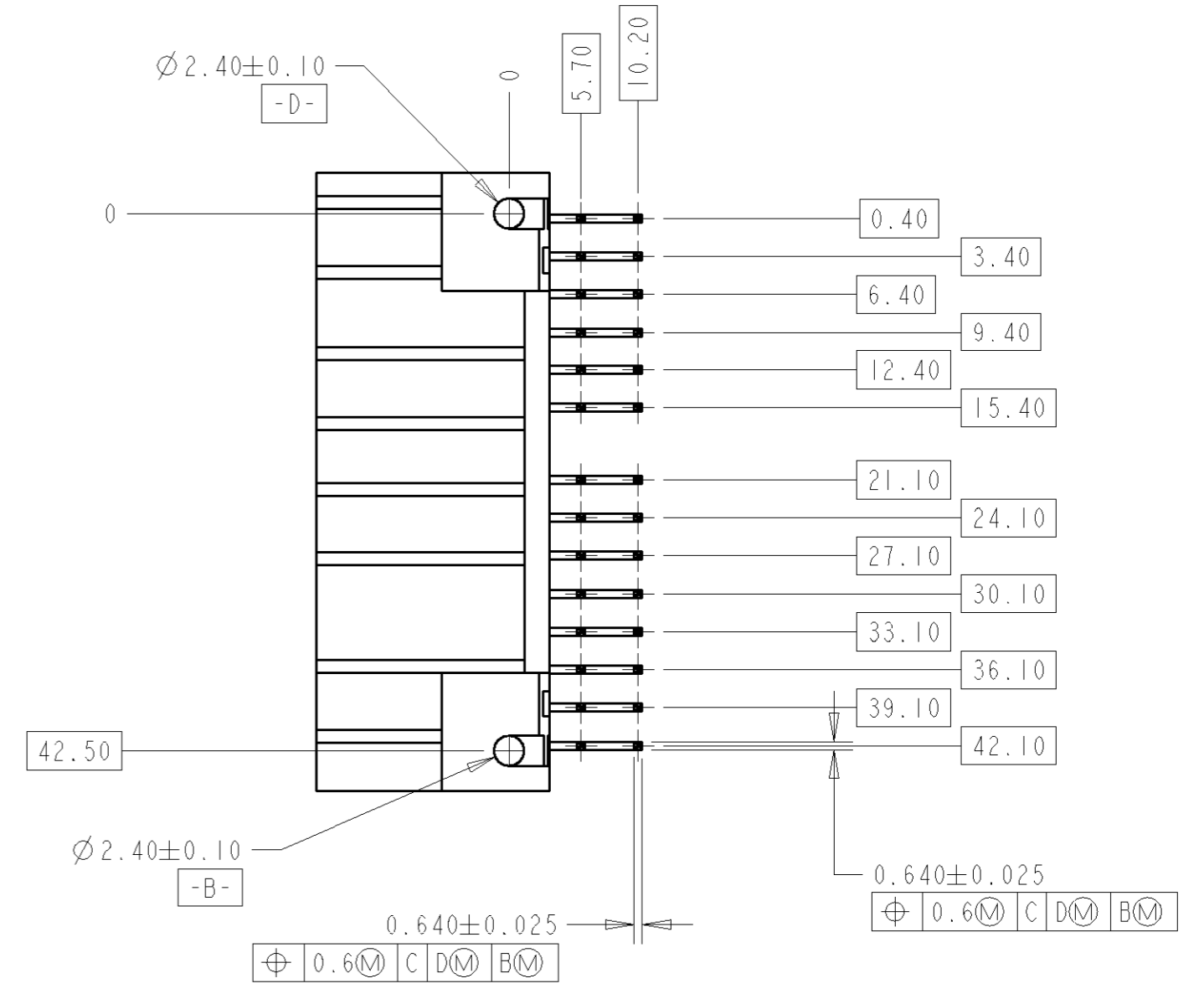
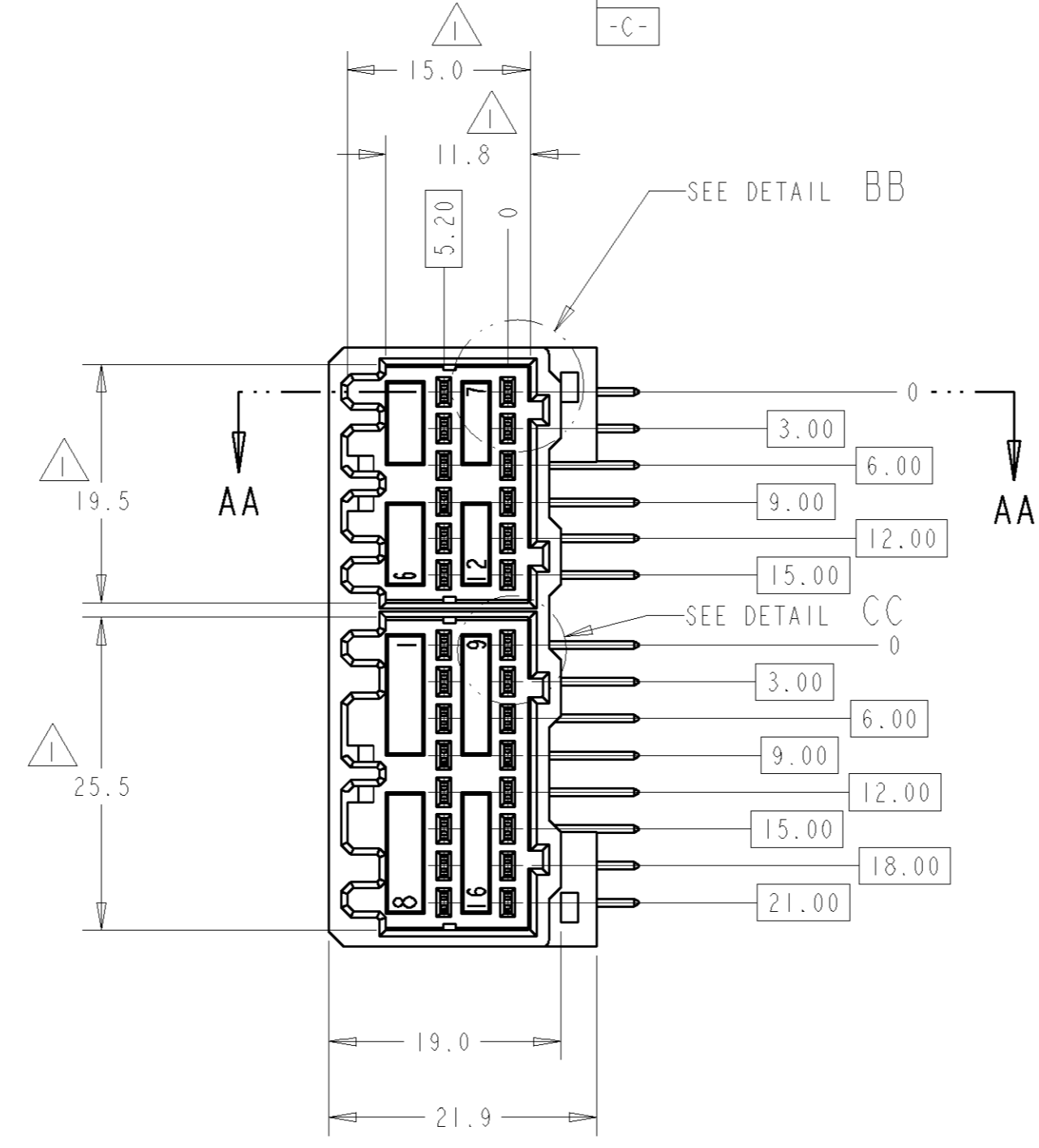
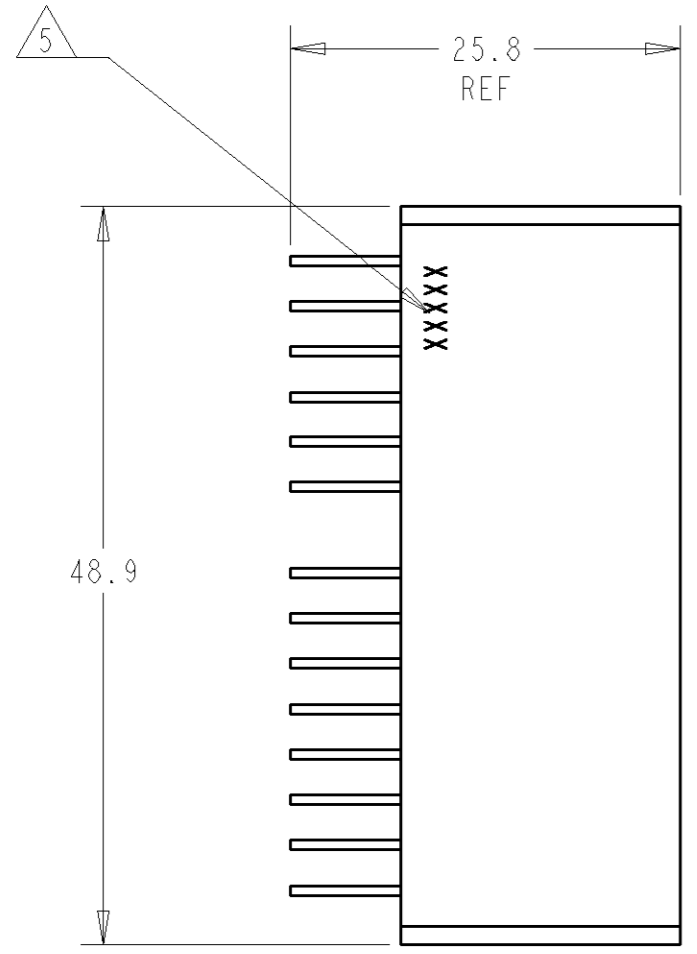


THIS DRAWING IS UNPUBLISHED. RELEASED FOR PUBLICATION
 © COPYRIGHT 20 BY TYCO ELECTRONICS CORPORATION. ALL RIGHTS RESERVED.

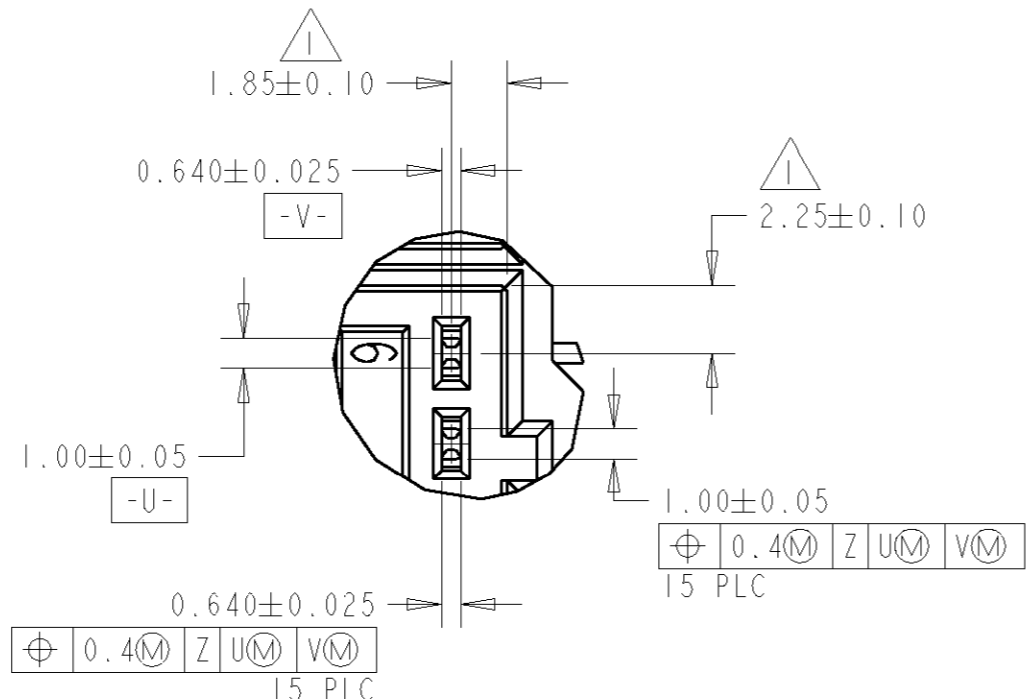
LOC	DIST	REVISIONS			
P	LTR	DESCRIPTION	DATE	DWN	APVD
C		REVISED PER EC 0K80-0301-02	06JAN2003	APH	SSA
D		REVISED PER EC 0K80-0171-04	12MAY2004	DLD	RMC



- 1. DIMENSION MUST BE HELD BETWEEN -Z- AND 2.0mm FROM -Z- (EXCLUDING CHAMFER)
- 2. RECOMMENDED MOUNTING SCREW, 3mm DIA X 6mm LG, PAN HEAD, CLASS 2 TAPPING SCREW AS SPECIFIED IN JIS B1115 AND B1112. MAXIMUM TORQUE: 4kg-cm
- 3. DATUMS AND BASIC DIMENSIONS ESTABLISHED BY CUSTOMER.
- 4. MATING PLUG PART NUMBERS ARE: 917975, 917981
- 5. DATE CODE



DETAIL BB
SCALE 4:1



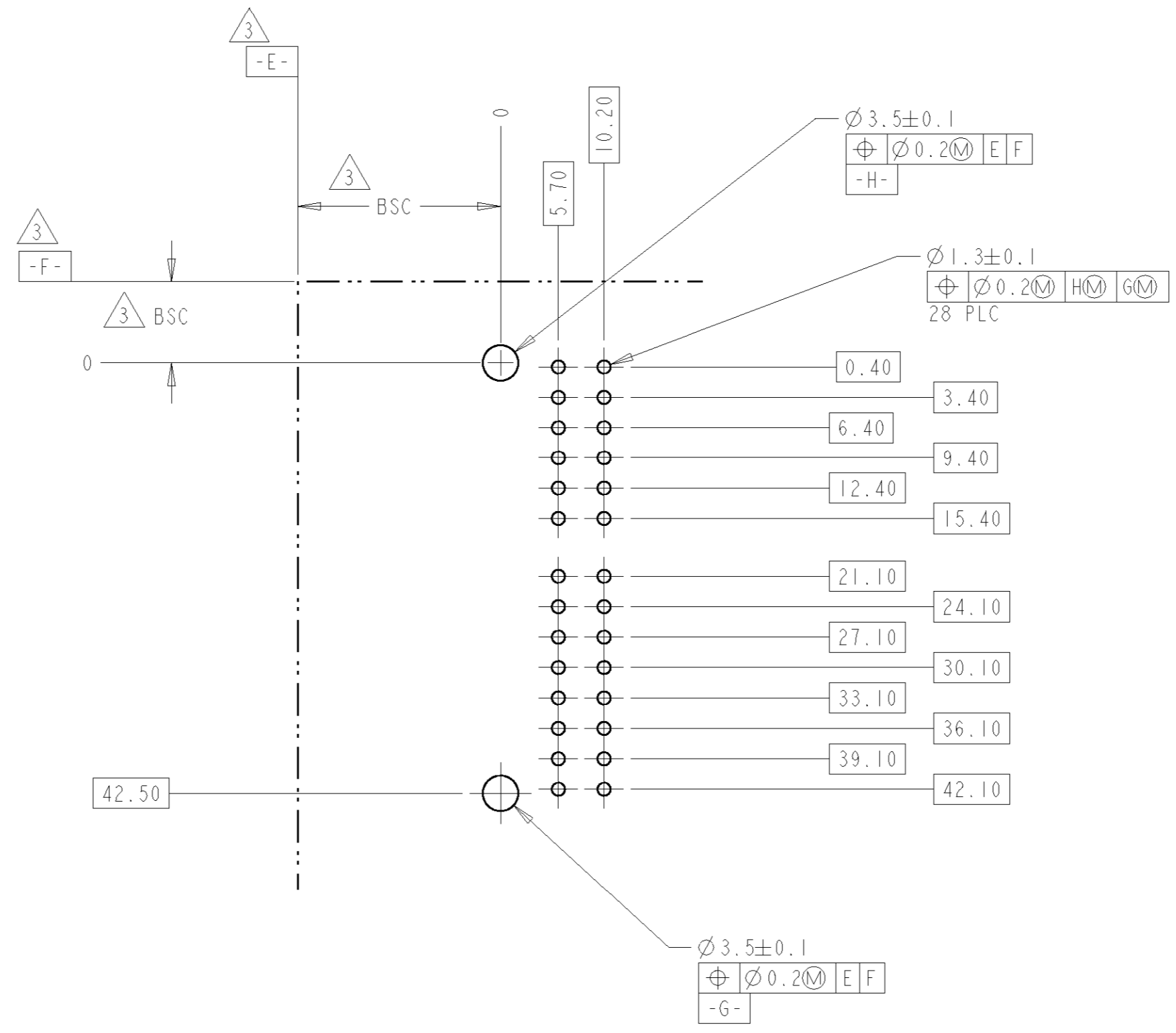
DETAIL CC
SCALE 4:1

POST TIN	BRASS	NATURAL	HTN	9-638266-1
FINISH CONTACT	MATERIAL CONTACT	COLOR	HOUSING MATERIAL	PART NUMBER

THIS DRAWING IS A CONTROLLED DOCUMENT FOR TYCO ELECTRONICS CORPORATION. IT IS SUBJECT TO CHANGE AND THE CONTROLLING ENGINEERING ORGANIZATION SHOULD BE CONTACTED FOR THE LATEST REVISION. DIMENSIONS: mm 	TOLERANCES UNLESS OTHERWISE SPECIFIED: 0 PLC ± 1 PLC ±0.3 2 PLC ±0.15 3 PLC ± 4 PLC ± ANGLES ±° FINISH	DWN Y. PETERSON 23JUN99	Tyco Electronics Harrisburg, PA 17105-3608
		CHK R. SMITH 23JUN99	
MATERIAL SEE CHART	APVD R. SMITH 23JUN99 PRODUCT SPEC 108-5280 APPLICATION SPEC 114-5159 WEIGHT 12.03g	CAP ASSEMBLY, 040, 28 POSITION, MULTILOCK	
		CUSTOMER DRAWING	SIZE A2 CAGE CODE 00779 DRAWING NO. G-638266 RESTRICTED TO - SCALE 2:1 SHEET 1 OF 2 REV D

THIS DRAWING IS UNPUBLISHED. RELEASED FOR PUBLICATION
 © COPYRIGHT 20 BY TYCO ELECTRONICS CORPORATION. ALL RIGHTS RESERVED.

LOC	DIST	REVISIONS			
P	LTR	DESCRIPTION	DATE	DWN	APVD
FX	00	-	SEE SHEET 1	-	-



PC BOARD LAYOUT (SOLDER SIDE)
 (RECOMMENDED BOARD THICKNESS 1.57mm)

<small>THIS DRAWING IS A CONTROLLED DOCUMENT FOR TYCO ELECTRONICS CORPORATION IT IS SUBJECT TO CHANGE AND THE CONTROLLING ENGINEERING ORGANIZATION SHOULD BE CONTACTED FOR THE LATEST REVISION.</small>		DWN Y. PETERSON 23JUN99 CHK R. SMITH 23JUN99 APVD R. SMITH 23JUN99	tyco Electronics Tyco Electronics Harrisburg, PA 17105-3608
DIMENSIONS: mm 	TOLERANCES UNLESS OTHERWISE SPECIFIED: 0 PLC ± 1 PLC ±0.3 2 PLC ±0.15 3 PLC ± 4 PLC ± ANGLES ±° FINISH	PRODUCT SPEC - APPLICATION SPEC - WEIGHT - CUSTOMER DRAWING	NAME CAP ASSEMBLY, 040, 28 POSITION, MULTILOCK SIZE A2 CAGE CODE 00779 DRAWING NO 638266 RESTRICTED TO - SCALE 2:1 SHEET 2 OF 2 REV D