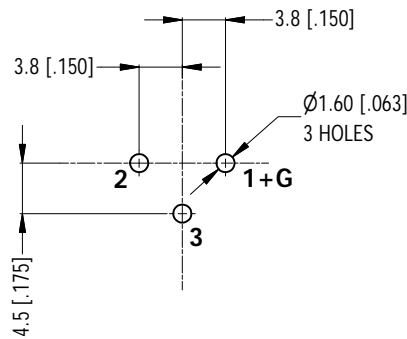


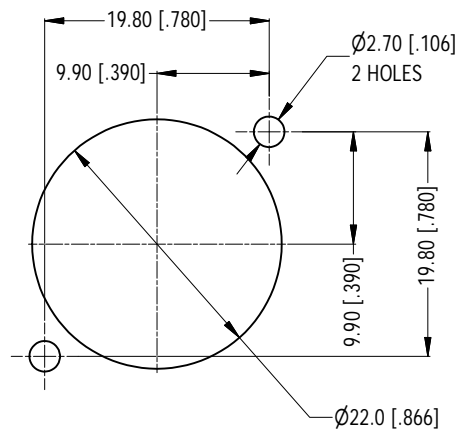
MIN MOUNTING PITCH (1:1)



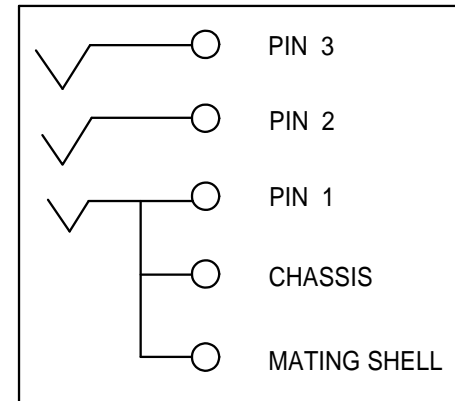
PCB LAYOUT

LAYOUT TOLERANCE : ± 0.05 [$\pm .002$ in]

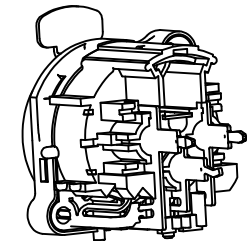
NOTE: DIMENSIONS IN PARENTHESES ARE IN INCHES.



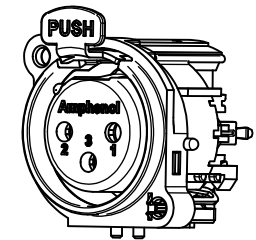
PANEL CUT OUT
REAR VIEW



SCHEMATIC CHART



3D VIEW (1:1)



NOTE: SUFFIX "B" IN THE PART No. INDICATES BULK PACK.

UNLESS OTHERWISE SPECIFIED TOLERANCE TO BE:		THIS DOCUMENT IS THE PROPERTY OF AMPHENOL AUSTRALIA PTY. LTD. NO PART THEREOF MAY BE REPRODUCED AND USED WITHOUT THE PRIOR WRITTEN CONSENT OF THE OWNER			
LINER	ANGULAR	CAD FILE:	DRN:	DATE:	
X ±	X' ± 1	55010493000221	T.N	17/04/07	
X.X ±	X.X' ± 30°	MATL:	P.M	DATE:	07/04/09
X.XX ±	X.X'X' ± 15°	DO NOT SCALE	FINISH: REFER TO COMPONENTS	APP'D:	P.M DATE: 07/04/09
DIMENSIONS IN MILLIMETRES		SCALE: 3:2		PART No: AC3FBV1-AU-B	

REV	DESCRIPTION	DATE	BY	CHG NO
2	ADD SUFFIX B TO PART No.	27/08/15	T.N	9318
1	CHANGE PUSH LEVER & LATCH SPRING	18/12/08	A.O	8793
0	FIRST ISSUE	03/09/07	T.N	8686

TITLE:		Amphenol	
XLR FEMALE B TYPE CONNECTOR		Amphenol Australia Pty.Ltd. 2 Fiveways Blvd. Keysborough, Vic3173	
CUSTOMER DWG		DRAWING NO.	SHEET
SIZE: A4		55010493-000-2	2/2