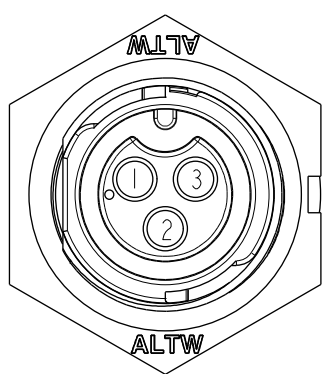
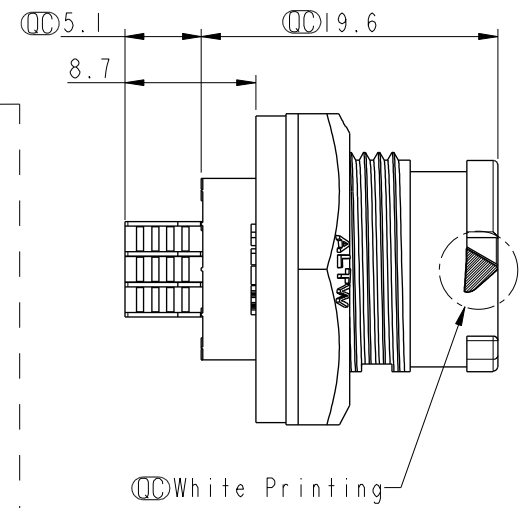
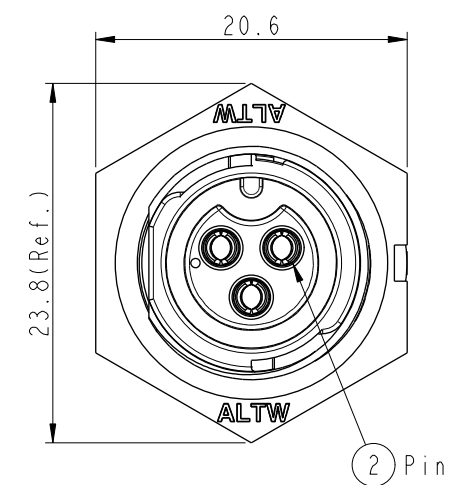
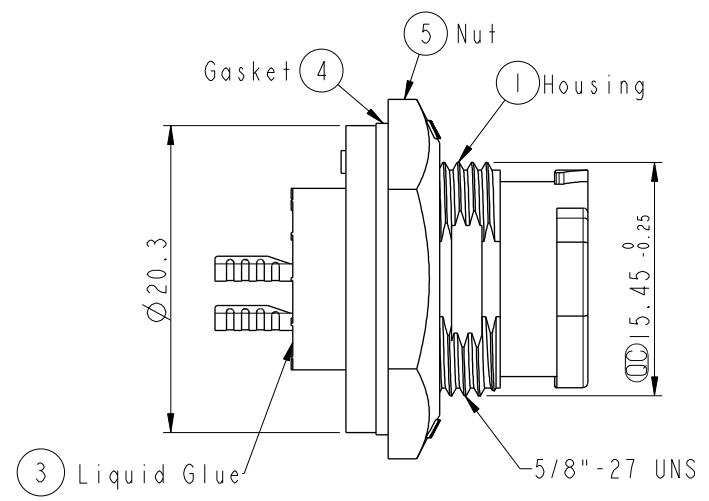
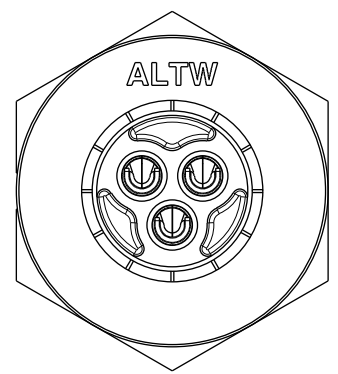


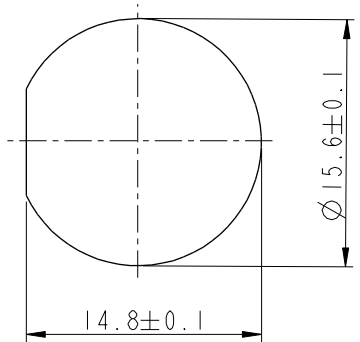
THIS DOCUMENT IS SUBJECT TO CHANGE WITHOUT NOTICE. IT IS CONFIDENTIAL AND A PROPERTY OF Amphenol LTW. DISCLOSURE TO THIRD PARTY HAS TO BE AUTHORIZED BY Amphenol LTW.

REV.	ECN NO.	DATE	SIGN	DESCRIPTION
B	CI90411	2019/03/14	Vicky	Change Note

ALTW  
CONFIDENTIAL  
2019-03-14  
R&D DEPT.



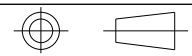
Pin Assignments  
Front View



Recommended Panel Cut-out

- Note:**
- \*  $\varnothing$  Important Dimension To Check.
  - \* Waterproof Rate: IP68, Unmated.  
In 1 meter water within 24 hours
  - \* Housing: Thermoplastic, Black.
  - \* Pin: Copper Alloy, Gold Plated.
  - \* Nut: Thermoplastic, Black.
  - \* Gasket: Rubber, Gary.
  - \* Use Whitout Waterproof Cap  
Panel Thickness Max: 4.0mm
  - \* Use Whit Waterproof Cap  
Panel Thickness Max: 3.0mm
  - \* Gasket and Nut are packed separately  
in PE bags.

UNIT:mm  
TOLERANCE  
X ±0.25



TITLE X Lok B-Size Receptacle Front Fastened M Conn F 3 Pin			
SCALE 2:1	SIZE A4	SHEET 1 OF 1	
REV. B	WC-REV. A.3	$\varnothing$ : Inspection item	

**Amphenol LTW**  
安費諾亮泰企業股份有限公司

ITEM NO. BB-03PMFS-QC8001	DRAWN BY Vicky	DATE 2019-03-14
DWG NO. BB-03PMFS-QC8001	CHECKED BY Rita	DATE 2019-03-14
CUSTOMER ALTW	APPROVED BY Max	DATE 2019-03-14