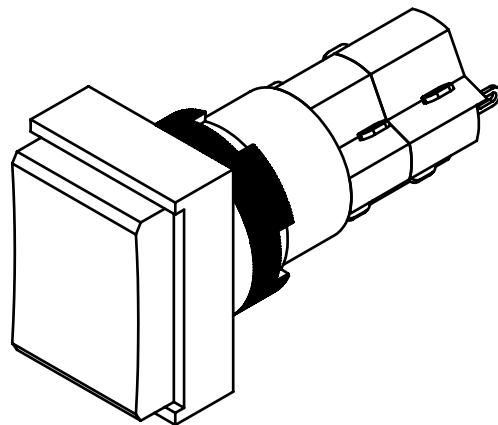
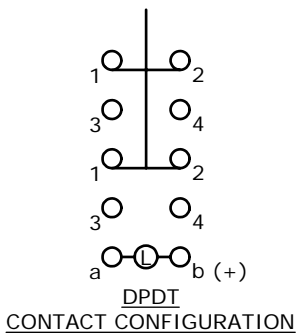


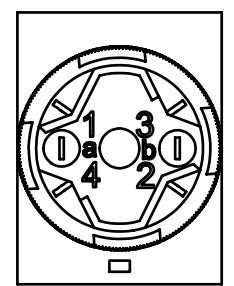
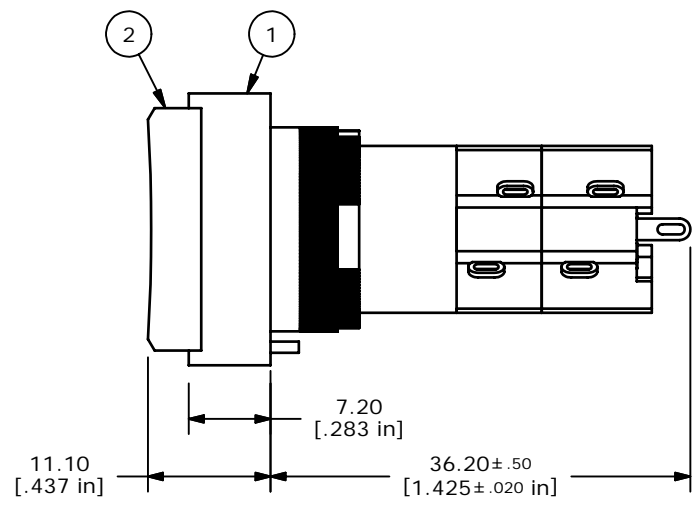
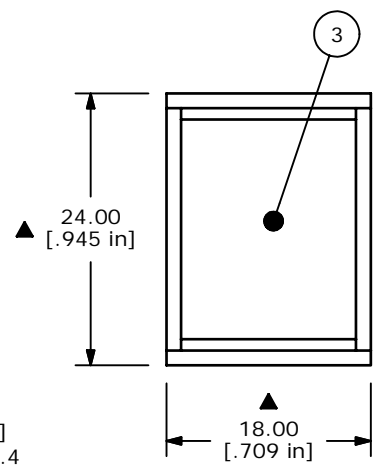
PANEL MOUNTING



| PARTS LIST | | | |
|------------|-----|-------------|------------------------------|
| ITEM | QTY | PART NUMBER | DESCRIPTION |
| 1 | 1 | F040035 | D16OAT12 |
| 2 | 1 | F050405 | 5000424 28VDC INCANDESCENT |
| 3 | 1 | F050205 | 5000206 TRANSPARENT WHT LENS |



DPDT CONTACT CONFIGURATION



NOTE:

1. ALL DIMENSIONS IN MM [INCH]
2. GENERAL TOLERANCE: X.X=±0.4
X.XX=±0.25
3. TERMINAL NUMBERS FOR REF ONLY
4. RATING: 5A @ 250 VAC
6A @ 24 VDC
8A @ 125 VAC
5. ELECTRIC LIFE: 50,000 MAKE-AND-BREAK CYCLES AT FULL LOAD.
6. INSULATION RESISTANCE: 1,000 MEGA-OHM MIN.
7. OPERATING TEMP.: -20°C to 55°C
- ▲ 8. LAMP VOLTAGE: 28V DC
9. ▲ DENOTES CRITICAL PARAMETER.
10. 2002/05/EC (ROHS) COMPLIANT.
11. PACKAGE: BOX/20 PIECES PER BOX



| | | | | |
|-----|--------|-------------------------|---------|----|
| A | 17550 | RELEASED FOR PRODUCTION | 8/13/07 | BF |
| REV | PCR NO | DESCRIPTION | DATE | BY |

| | | | | |
|--------------------|-----------|----|---------|-----|
| TITLE D16OAT12CWHT | | | | |
| SCALE | DATE | DR | DWG | REV |
| 1.5:1 | 8/13/2007 | BF | XF0733P | A |

THE INFORMATION CONTAINED IN THIS DOCUMENT IS PROPRIETARY TO E-SWITCH AND IS NOT TO BE COPIED OR TRANSFERRED