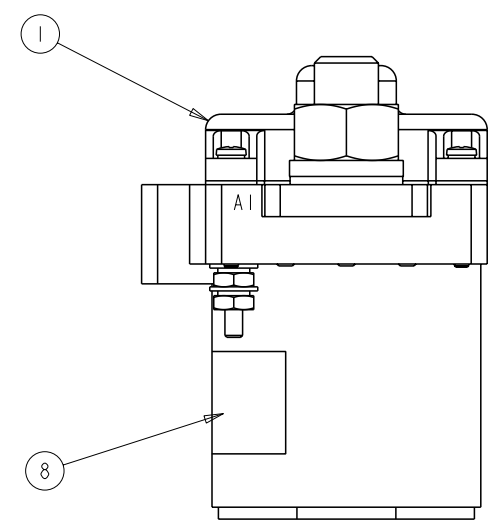
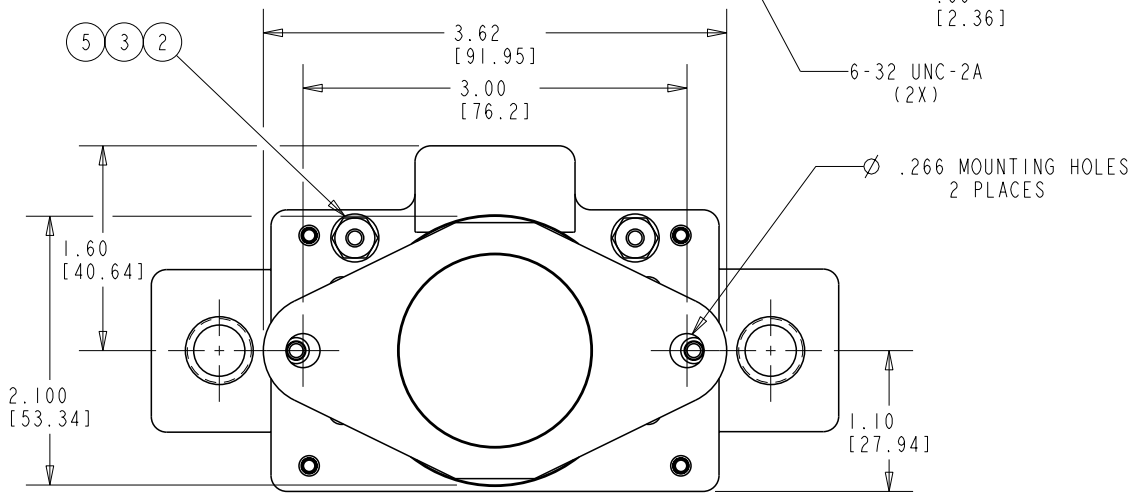
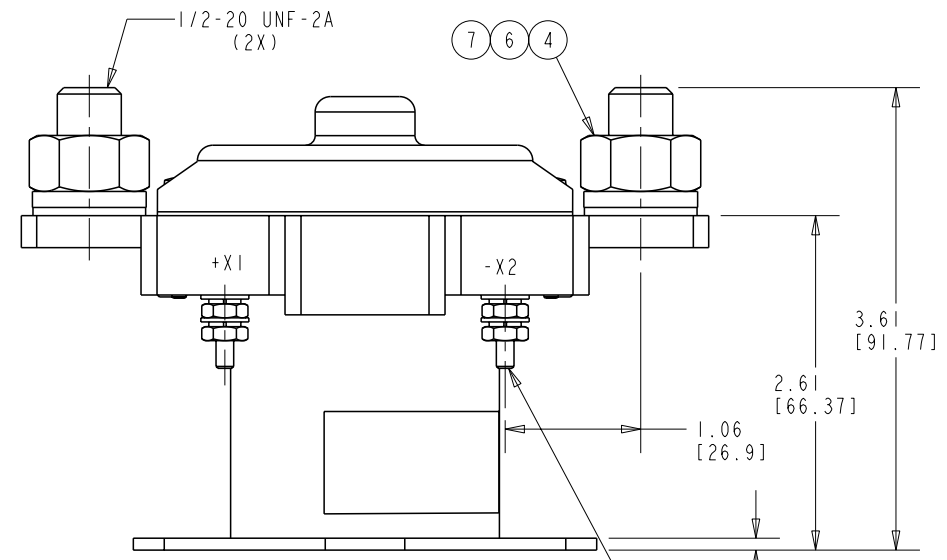
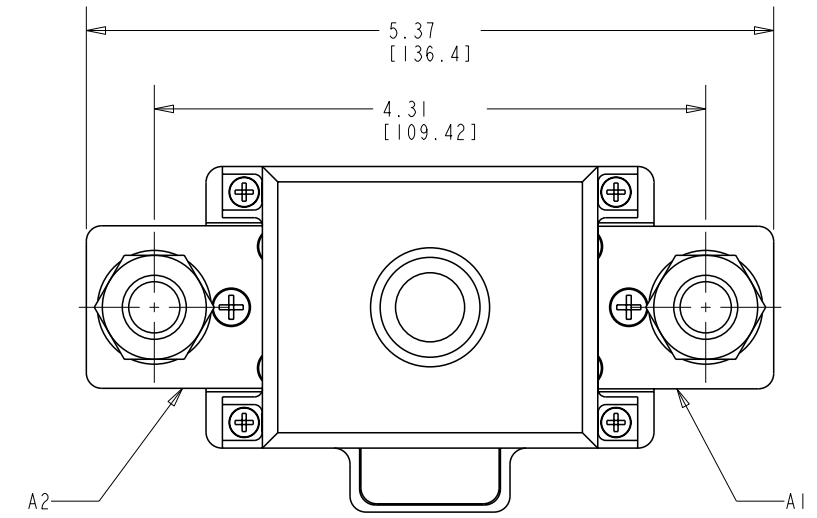


REVISIONS			RELEASED	
REV.	DESCRIPTION	DATE	APPROVED	
A	08-020282 RELEASE	08/09/17	CB	
B	09-005653 ADDED INSTALLATION NOTES	09/02/04	CB	
C	19-003373 ADDED METRIC UNITS FOR DIM AND WEIGHT	19/03/04	AH	
D	19-007176 SPECIFICATION NOTES UPDATED	19/05/08	AH	



CONSTRUCTION GASKET SEALED

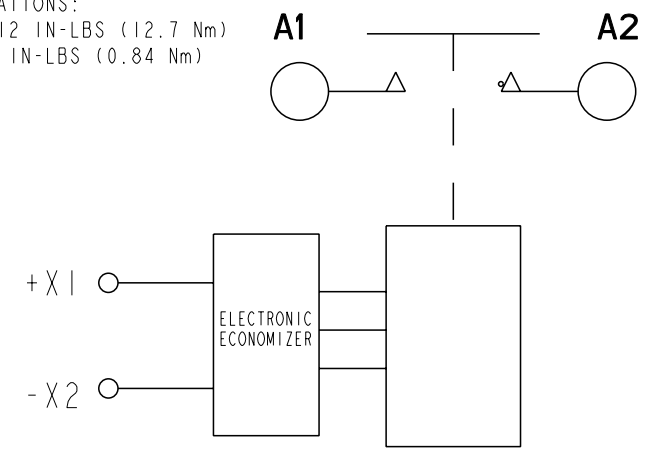
MAIN CONTACTS CONFIGURATION SPST N.O. (DOUBLE BREAK)
 VOLTAGE 28 VDC
 CURRENT RESISTIVE 1000 A

COIL DATA CONTINUOUS (ECONOMIZED)
 DUTY CYCLE 32 VDC
 MAX. OPERATE VOLTAGE 28 VDC
 NOMINAL OPERATE VOLTAGE 18 VDC MAX
 PICKUP VOLTAGE 1-8 VDC
 DROPOUT VOLTAGE 1-8 VDC
 COIL CURRENT 7.0 A MAX AT 30 VDC
 INRUSH 1.0 A MAX AT 30 VDC
 HOLD SUPPRESSION ±50 VDC

ENVIRONMENTAL DATA TEMPERATURE -51°C TO +71°C

LIFE ELECTRICAL 50,000 CYCLES MIN.
 LIFE MECHANICAL 100,000 CYCLES MIN.
 MAX. WEIGHT 2.75 LBS (1.25 Kgs)

NOTES
 INSTALLATION NOTES: RECOMMENDED
 TORQUE FOR TERMINATIONS:
 1/2-20 UNF-2A = 112 IN-LBS (12.7 Nm)
 6-32 UNC-2A = 7.5 IN-LBS (0.84 Nm)



FIND NO	QTY	RECD	PART OR IDENTIFYING NO	NOMENCLATURE OR DESCRIPTION	DRAWING OR SPECIFICATION	FSCM NO	TE PART NO	MATERIAL OR NOTE
8	1		16043-001	PLATE-NAME				3-1616169-5
7	2		MS35650-3395T	NUT 1/2-20, .812 HEX, .43 THK				1-1616454-9
6	2		MS35338-105	LOCK WASHER - SPLIT 1/2				1-1616454-1
5	2		MS35338-98	WASHER - LOCK				1-1616454-3
4	2		AN961-816T	WASHER, .52 ID, .88 OD, .064 THK				1616413-5
3	2		AN961-6T	WASHER FLAT				1616413-4
2	2		50406-071	NUT, 6-32				6-1616337-2
1	1		46095-170	CONTACTOR ASSEMBLY PRIMARY				1616967-3

UNLESS OTHERWISE SPECIFIED DIMENSIONS ARE IN INCHES TOLERANCES ON

2 PL DEC.	3 PL DEC.	ANGLES
± .02	± .005	± 1°

DR BY JMK 07/11/15
 CHK BY CB 09/02/04
 ENGR RRG 09/12/08
 MFG DWA 09/02/04

SIZE B CODE IDENT 74063

SCALE 1:1 SHEET 1/1

STE
 Hartman Division 175 N. DIAMOND STREET MANSFIELD, OHIO 44902

CONTACTOR SPST N.O. (DOUBLE BREAK) 1000A

DWG NO. K-1000AIF03

REF TE PN 4-1616966-1