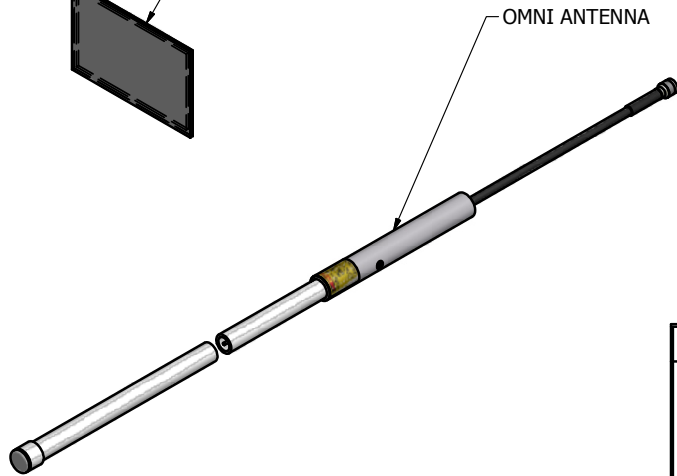
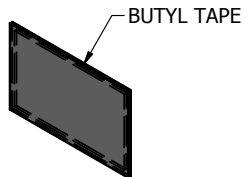
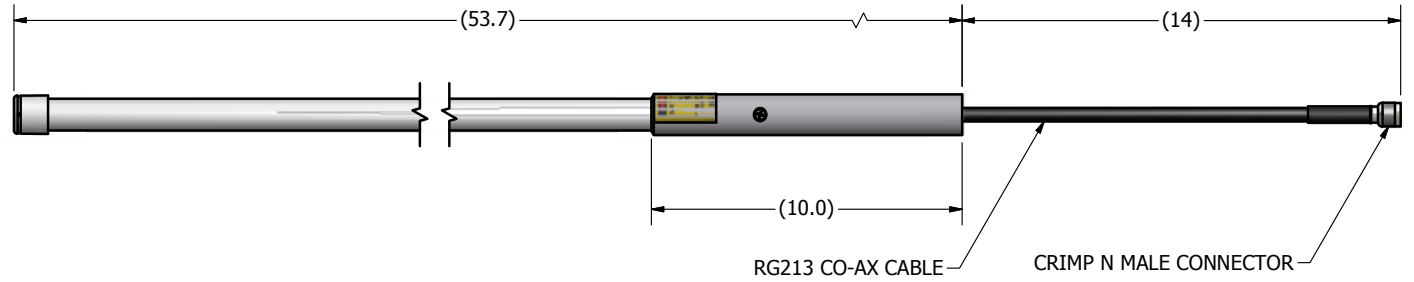


NOTES: UNLESS OTHERWISE SPECIFIED

1. INTERPRET DRAWING PER ANSI/ASME Y14.5
2. MATERIAL: (SEE COMPONENT PRINTS)
3. FINISH: (SEE COMPONENT PRINTS)
4. ALL MATERIALS SHALL BE ROHS COMPLIANT.
5. DIMENSIONS IN PARANTHESIS ARE FOR REFERENCE ONLY AND NO TOLERANCE IS IMPLIED.

REVISION HISTORY			
REV	DESCRIPTION	DATE	APPROVED
I1	RELEASE	25NOV13	JD



SUPPLIER PRINT ACCEPTANCE: <input type="checkbox"/> Accept drawing/specification: No changes needed: <input type="checkbox"/> This part is RoHS compliant <input type="checkbox"/> This part is REACH compliant <input type="checkbox"/> Accept drawing/specification. Notes/Mark-ups added <input type="checkbox"/> Cannot accept drawing/spec. Notes/Mark-ups added Supplier Projected Outgoing Quality: SIGMA LEVEL : _____ or PPM: _____ Signature _____ Date: _____	UNLESS OTHERWISE SPECIFIED DIMENSIONS ARE IN INCHES [DIMENSIONS ARE IN mm] FOR TOLERANCES NOT SPECIFIED USE: .XX in ± .1 in, .XXX in ± .01 in, .XXX in ± .005 in [X mm ± 3 mm], [X.X mm ± .3 mm], [X.XX mm ± .13 mm] ANGULAR ± 1°, FRACTIONAL ± 1/64	DRAWN DATE J. Durica 11/26/2013 CHECKED DATE APPROVED DATE	 PCTEL, INC. ANTENNA PRODUCTS 471 BRIGHTON DRIVE BLOOMINGDALE, IL 60108 PH. 630-372-6800 FAX. 630-372-8077	
	THIRD ANGLE PROJECTION 	MATERIAL: SEE COMPONENT PRINTS		DESCRIPTION 902-928 MHz, 5 dB, FIBERGLASS BASE
	PROPRIETARY DATA THE INFORMATION CONTAINED IN THIS DOCUMENT IS OF A PROPRIETARY NATURE AND MAY NOT BE USED OR REPRODUCED WITHOUT THE EXPRESSED WRITTEN PERMISSION OF PCTEL INC., BLOOMINGDALE, IL 60108	FINISH: SEE COMPONENT PRINTS		DRAWING NO. ODD_MFB9155
	SIZE B	SCALE 1:4		SHEET 1 OF 1