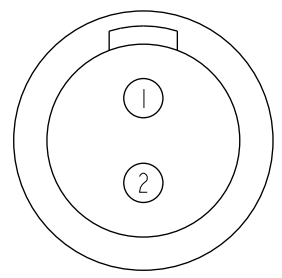
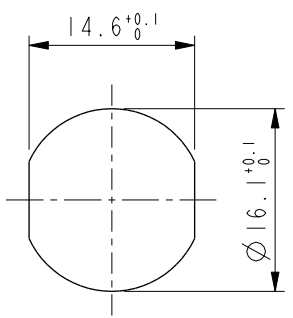
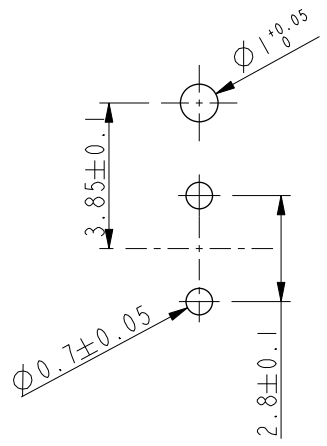
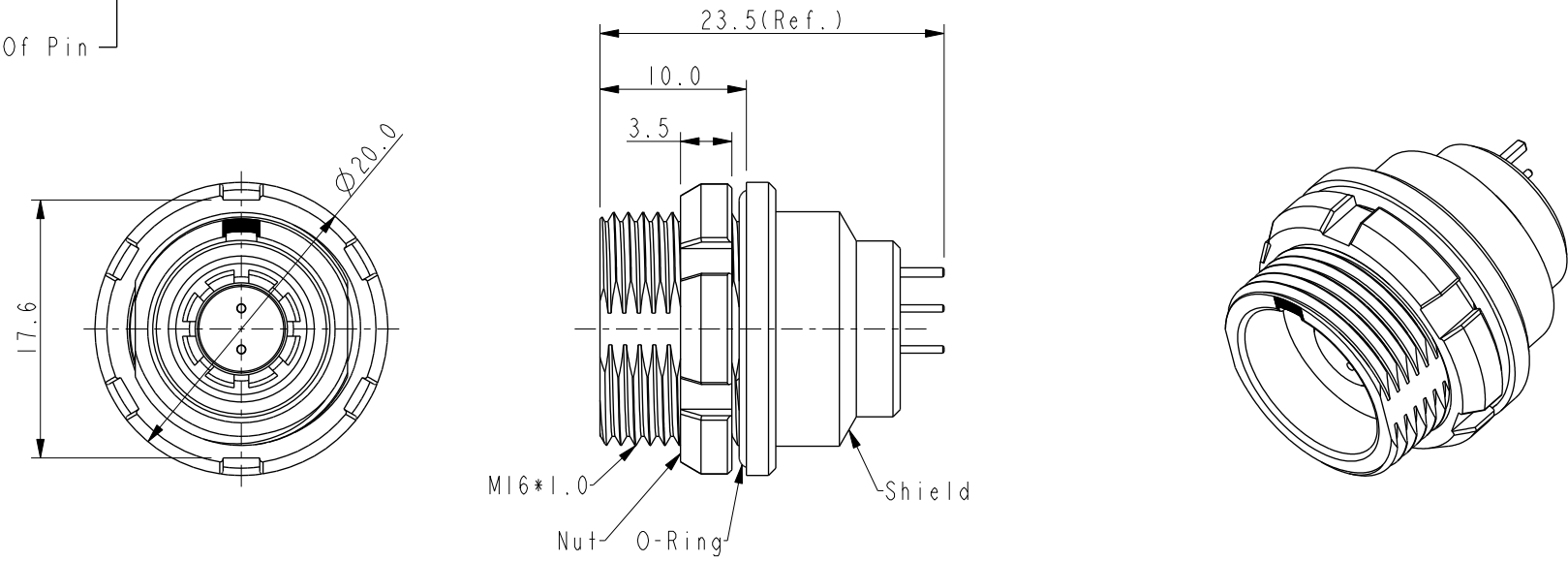


REV.	ECN NO.	DATE	SIGN	DESCRIPTION
A		2022-03-18	Allen Pan	Rev.02 To Rev.A
B	C220586	2022-04-11	Allen Pan	△B x2

△B SLKC-XXEFP-GCP-001  
XX: No. Of Pin



Note:  
 \* RoHS Compliant  
 \* Ⓞ Important Dimension  
 \* Waterproof Rate: IPX8, Unmated 1m/24h  
 \* Connector  
 Housing: Thermoplastic, Black  
 Pin: Copper Alloy, Gold Plated  
 O-Ring: Rubber, Dark Gray  
 \* Shield: Metal  
 \* Nut: Metal  
 \* O-Ring: Rubber, Red  
 \* For Panel Thickness Max 5.0mm  
 \* O-Ring and nut are assembled on connectors

PCB Layout      Recommended Panel Cut-out      Pin Assignment Front View

UNIT: mm		
TOLERANCE	.X ±0.25	
.XX ±0.1		
.XXX ±0.05		
ANGLES	±1°	

TITLE FLOS PLUS C SIZE SPE PANEL 2PIN			
SCALE 2:1	SIZE A4	SHEET 1 OF 1	
REV. B	WC-REV. A.1	Ⓞ: Inspection item	

**Amphenol LTW**  
 安費諾亮泰企業股份有限公司

ITEM NO.	DRAWN BY Allen Pan	DATE 2022-03-18
DWG NO. SLKC-XXEFP-GCP-001	CHECKED BY Sam Ho	DATE 2022-03-18
CUSTOMER ALTW	APPROVED BY Fred Lee	DATE 2022-03-18

THIS DOCUMENT IS SUBJECT TO CHANGE WITHOUT NOTICE. IT IS CONFIDENTIAL AND A PROPERTY OF AMPHENOL LTW. DISCLOSURE TO THIRD PARTY HAS TO BE AUTHORIZED BY AMPHENOL LTW.