

U_B2B-Connectors
B2B-Connectors.SchDoc
U_B13
B13.SchDoc
U_B33-B34
B33-B34.SchDoc
U_B35
B35.SchDoc
U_DDR3-RAM
DDR3-RAM.SchDoc
U_eMMC
eMMC.SchDoc
U_ETH-PHY
ETH-PHY.SchDoc
U_FPGA-MISC
FPGA-MISC.SchDoc
U_FPGA-PWR
FPGA-PWR.SchDoc
U_MIO-BANKS
MIO-BANKS.SchDoc
U_PS-DDR
PS-DDR.SchDoc
U_SENSOR-RTC
SENSOR-RTC.SchDoc
U_SystemController
SystemController.SchDoc
U_USB-PHY
USB-PHY.SchDoc

U_B2B-Connectors
B2B-Connectors.SchDoc
U_B13
B13.SchDoc
U_B33-B34
B33-B34.SchDoc
U_B35
B35.SchDoc
U_DDR3-RAM
DDR3-RAM.SchDoc
U_eMMC
eMMC.SchDoc
U_ETH-PHY
ETH-PHY.SchDoc
U_FPGA-MISC
FPGA-MISC.SchDoc
U_FPGA-PWR
FPGA-PWR.SchDoc
U_MIO-BANKS
MIO-BANKS.SchDoc
U_PS-DDR
PS-DDR.SchDoc
U_SENSOR-RTC
SENSOR-RTC.SchDoc
U_SystemController
SystemController.SchDoc
U_USB-PHY
USB-PHY.SchDoc

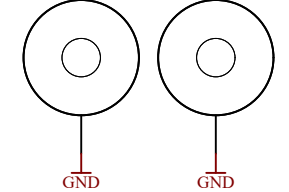
A

B

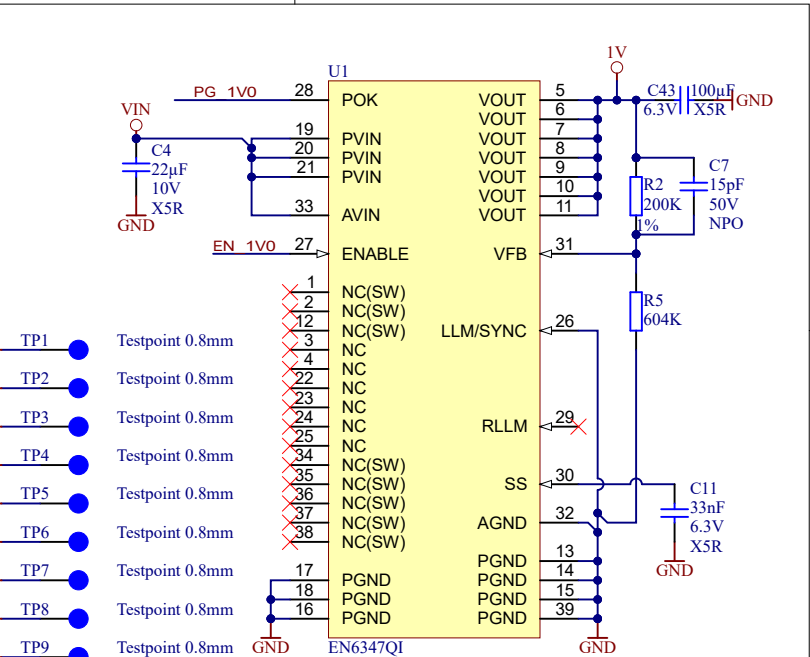
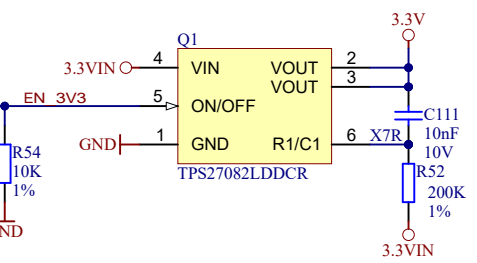
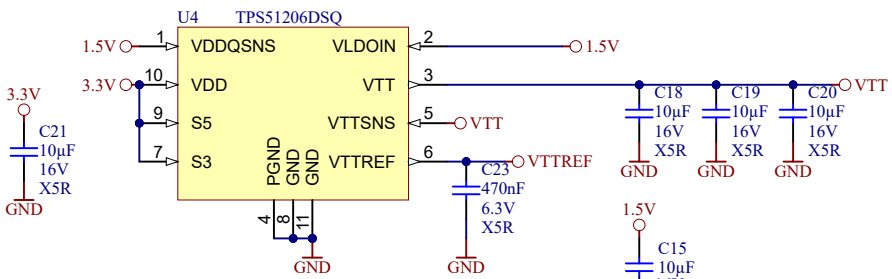
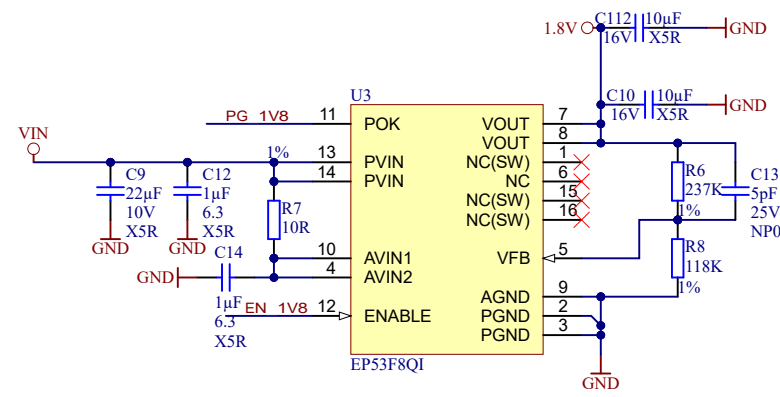
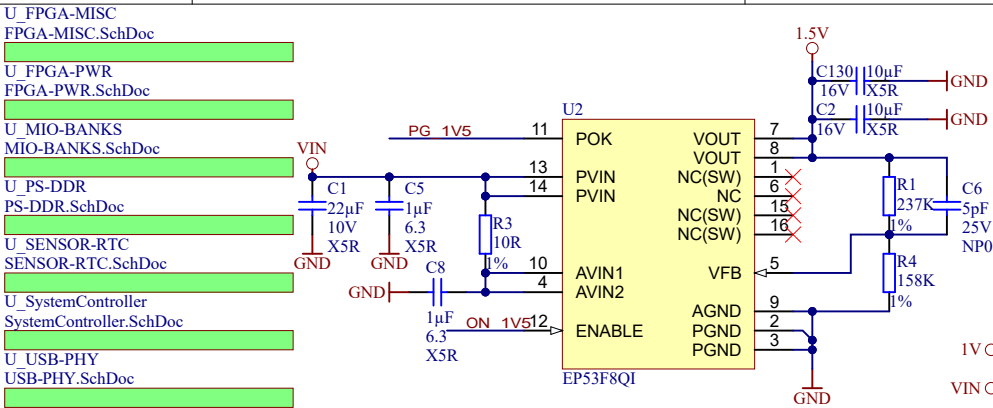
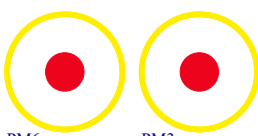
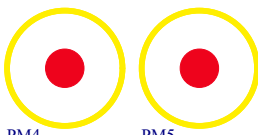
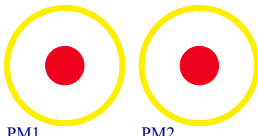
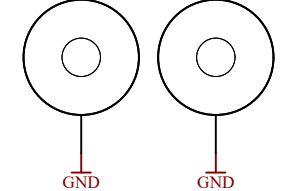
C

D

Mount.Hole 3.2mm Mount.Hole 3.2mm



Mount.Hole 3.2mm Mount.Hole 3.2mm



- 1V TP1 Testpoint 0.8mm
- VIN TP2 Testpoint 0.8mm
- 1.5V TP3 Testpoint 0.8mm
- 1.8V TP4 Testpoint 0.8mm
- VTT TP5 Testpoint 0.8mm
- VTTREF TP6 Testpoint 0.8mm
- 3.3VIN TP7 Testpoint 0.8mm
- VCCIO13 TP9 Testpoint 0.8mm
- VCCIO33 TP10 Testpoint 0.8mm
- VCCIO34 TP11 Testpoint 0.8mm
- VCCIO35 TP12 Testpoint 0.8mm
- AVCC TP13 Testpoint 0.8mm
- AVREF TP14 Testpoint 0.8mm
- AGND TP15 Testpoint 0.8mm
- GND TP16 Testpoint 0.8mm
- GND TP17 Testpoint 0.8mm
- GND TP18 Testpoint 0.8mm
- GND TP19 Testpoint 0.8mm
- GND TP20 Testpoint 0.8mm

Serial  
Serial Number 6,3 x 6,3mm

Assembly variant	61Q33MA
Created by	MR
Modified by	MR
Modified at	2021-07-06
SVN Revision	9068



Title: GigaZee - Power		
A4	Number: TE0720 61Q33MA	Rev. 03
Date: 2015-10-12	Copyright: 2013 Trenz Electronic GmbH	Page 1 of 15
Drawn by: *	Filename: TE0720.SchDoc	

1

2

3

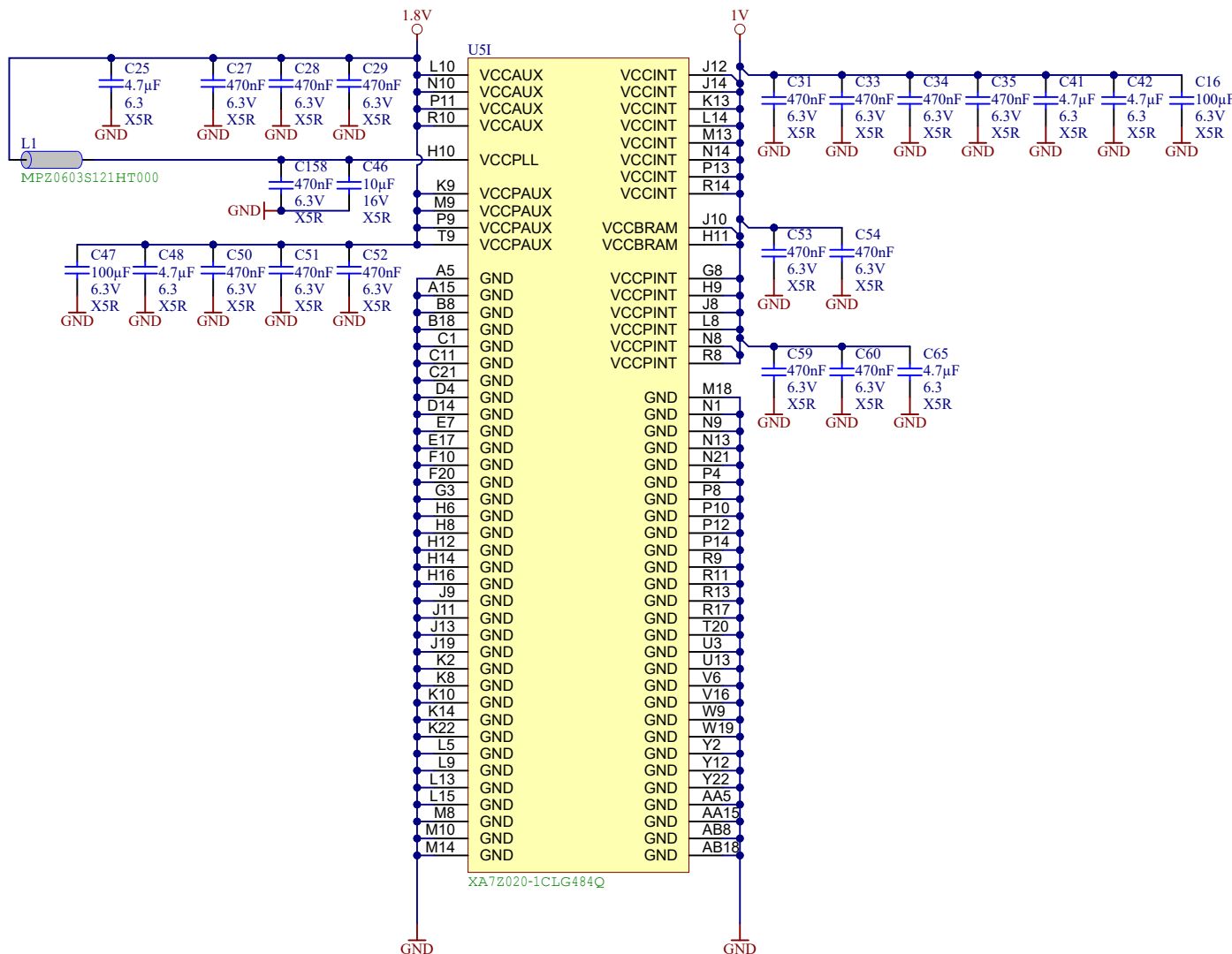
4

A

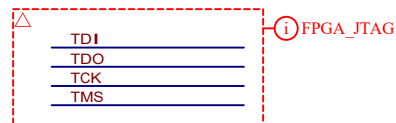
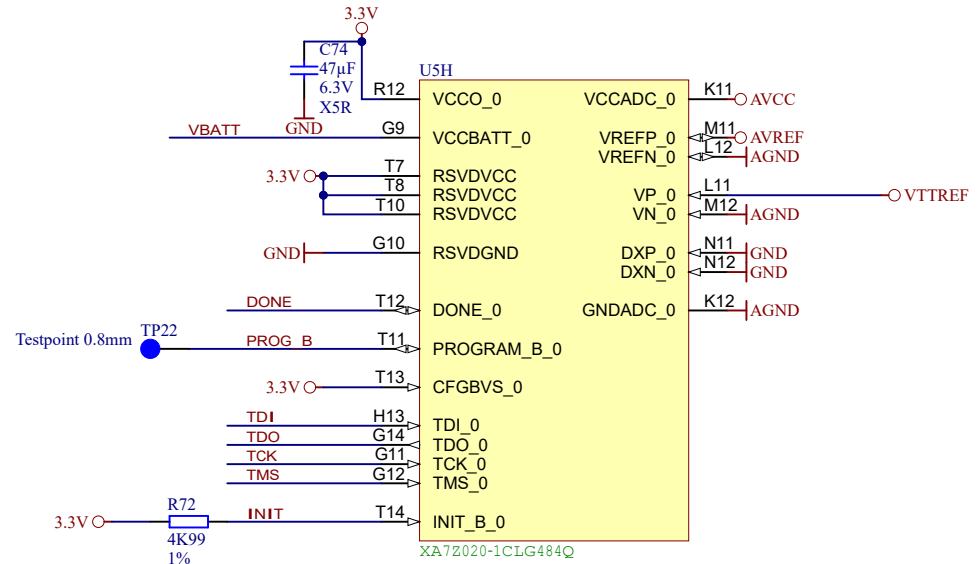
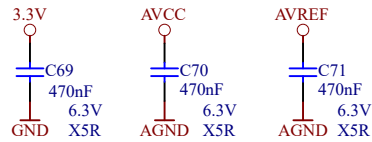
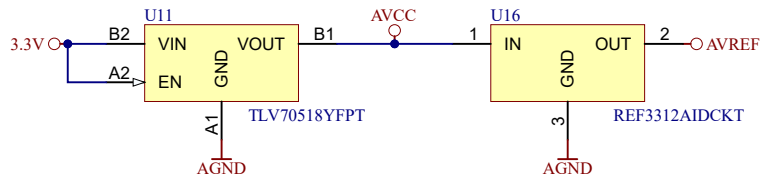
B

C

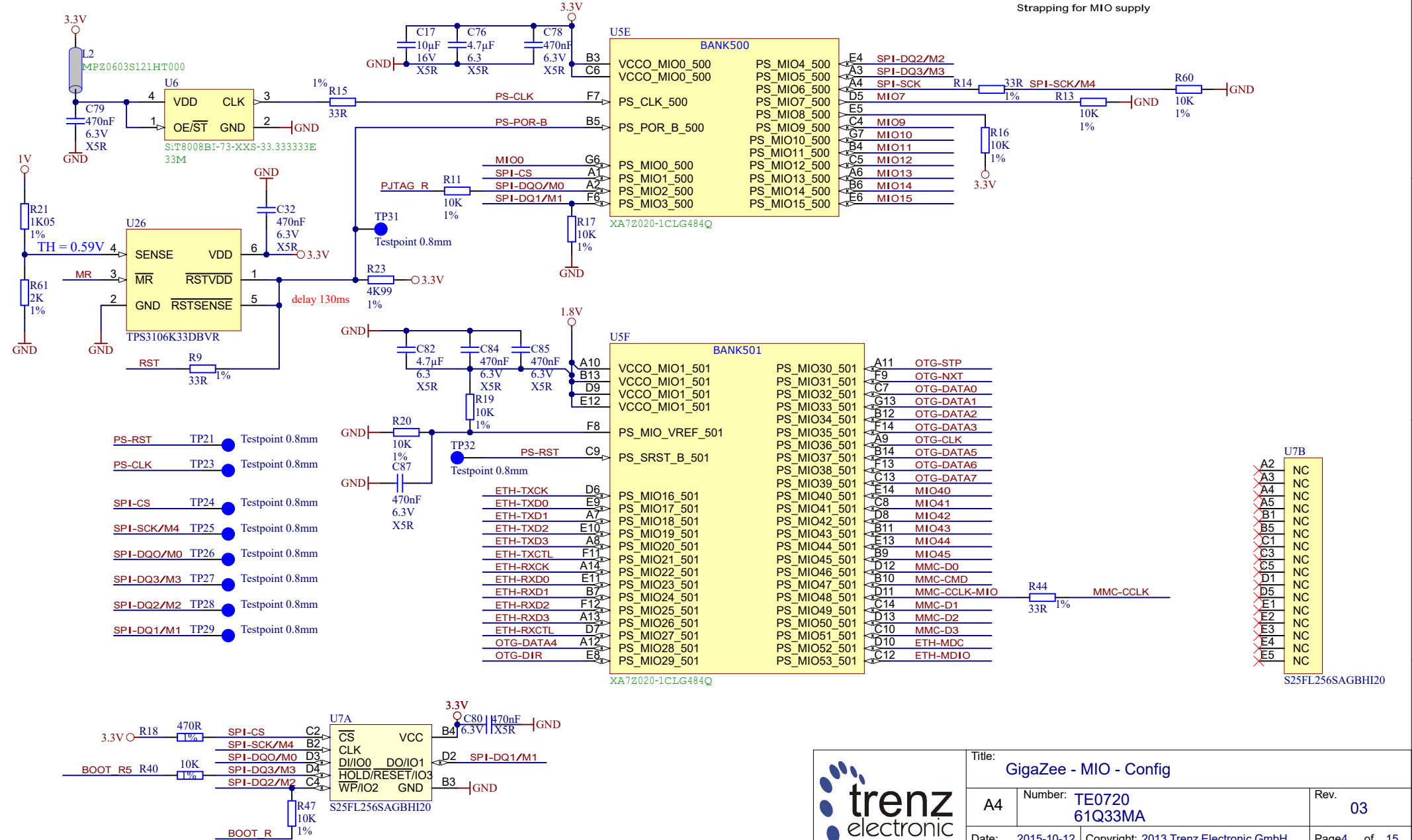
D



	Title: GigaZee - FPGA Power		
	A4	Number: TE0720 61Q33MA	Rev. 03
	Date: 2015-10-12	Copyright: 2013 Trenz Electronic GmbH	Page2 of 15
	Filename: FPGA-PWR.SchDoc		



	Title: GigaZee - B0		
	A4	Number: TE0720 61Q33MA	Rev. 03
	Date: 2015-10-12	Copyright: 2013 Trenz Electronic GmbH	Page3 of 15
	Filename: FPGA-MISC.SchDoc		



Strapping for MIO supply

**USE BANK500**

VCCO_MIO0_500	PS_MIO4_500	E4	SPI-DQ2/M2
VCCO_MIO0_500	PS_MIO5_500	A3	SPI-DQ3/M3
PS_CLK_500	PS_MIO6_500	A4	SPI-SCK
PS_POR_B_500	PS_MIO7_500	D5	MIO7
	PS_MIO8_500	E5	
	PS_MIO9_500	C4	MIO9
	PS_MIO10_500	G7	MIO10
	PS_MIO11_500	B4	MIO11
	PS_MIO12_500	C5	MIO12
	PS_MIO13_500	A6	MIO13
	PS_MIO14_500	B6	MIO14
	PS_MIO15_500	E6	MIO15

**USF BANK501**

VCCO_MIO1_501	PS_MIO30_501	A11	OTG-STP
VCCO_MIO1_501	PS_MIO31_501	F9	OTG-NXT
VCCO_MIO1_501	PS_MIO32_501	C7	OTG-DATA0
VCCO_MIO1_501	PS_MIO33_501	G13	OTG-DATA1
	PS_MIO34_501	B12	OTG-DATA2
	PS_MIO35_501	F14	OTG-DATA3
	PS_MIO36_501	A9	OTG-CLK
	PS_MIO37_501	B14	OTG-DATA5
	PS_MIO38_501	F13	OTG-DATA6
	PS_MIO39_501	C13	OTG-DATA7
	PS_MIO40_501	E14	MIO40
	PS_MIO41_501	C8	MIO41
	PS_MIO42_501	D8	MIO42
	PS_MIO43_501	B11	MIO43
	PS_MIO44_501	E13	MIO44
	PS_MIO45_501	B9	MIO45
	PS_MIO46_501	D12	MMC-D0
	PS_MIO47_501	B10	MMC-CMD
	PS_MIO48_501	D11	MMC-CCLK-MIO
	PS_MIO49_501	C14	MMC-D1
	PS_MIO50_501	D13	MMC-D2
	PS_MIO51_501	C10	MMC-D3
	PS_MIO52_501	D10	ETH-MDC
	PS_MIO53_501	C12	ETH-MDIO

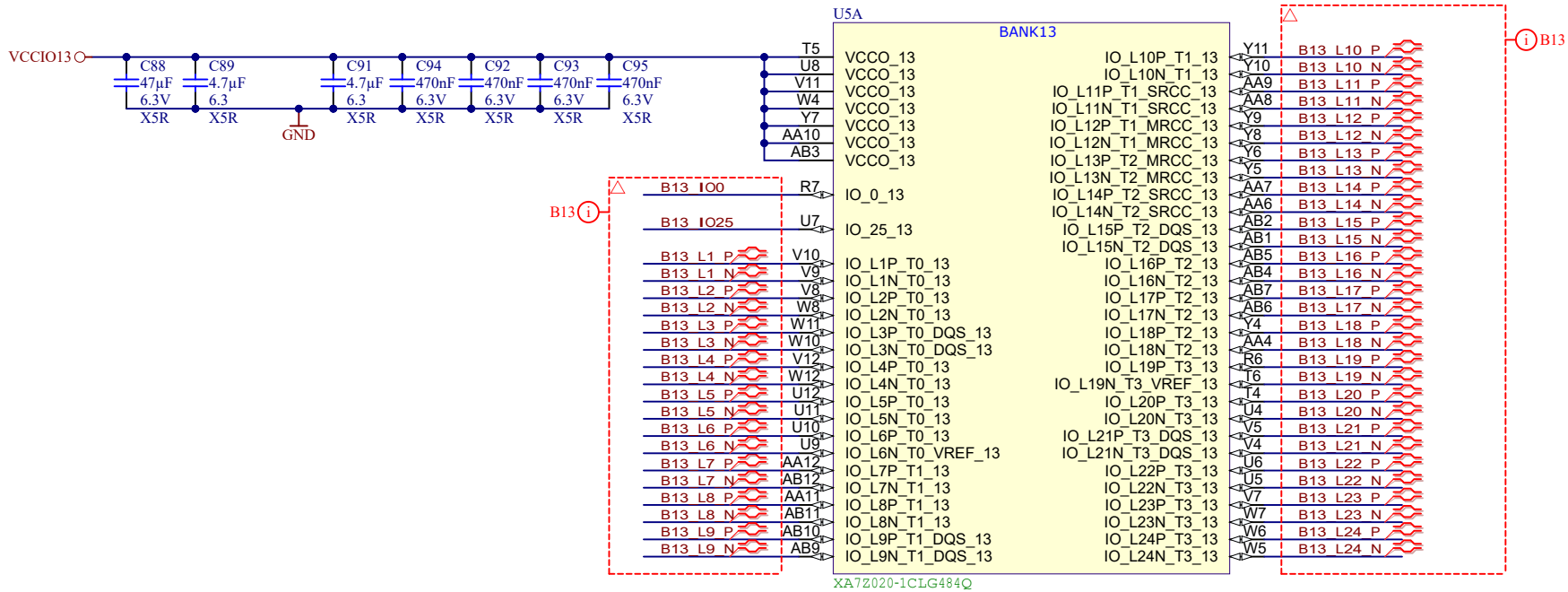
**U7B**

A2	NC
A3	NC
A4	NC
A5	NC
B1	NC
B5	NC
C1	NC
C3	NC
C5	NC
D1	NC
D5	NC
E1	NC
E2	NC
E3	NC
E4	NC
E5	NC

S25FL256SAGBH120

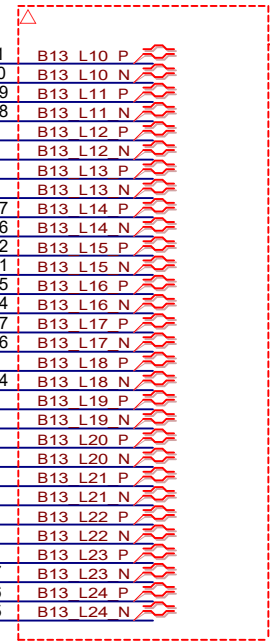
Title: <b>GigaZee - MIO - Config</b>		
A4	Number: <b>TE0720 61Q33MA</b>	Rev. <b>03</b>
Date: 2015-10-12	Copyright: 2013 Trenz Electronic GmbH	Page4 of 15
Filename: <b>MIO-BANKS.SchDoc</b>		





USA

BANK13

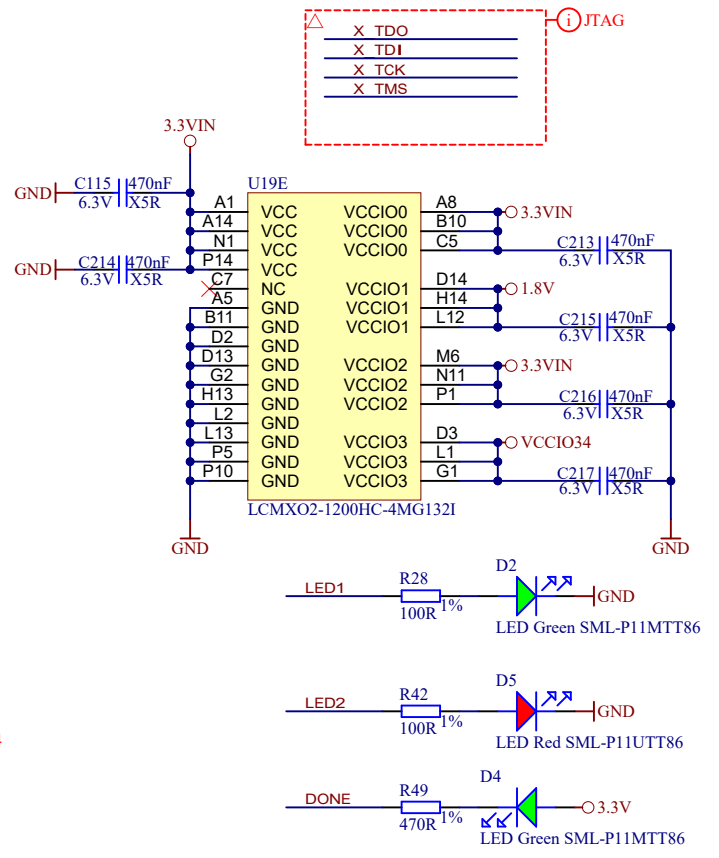
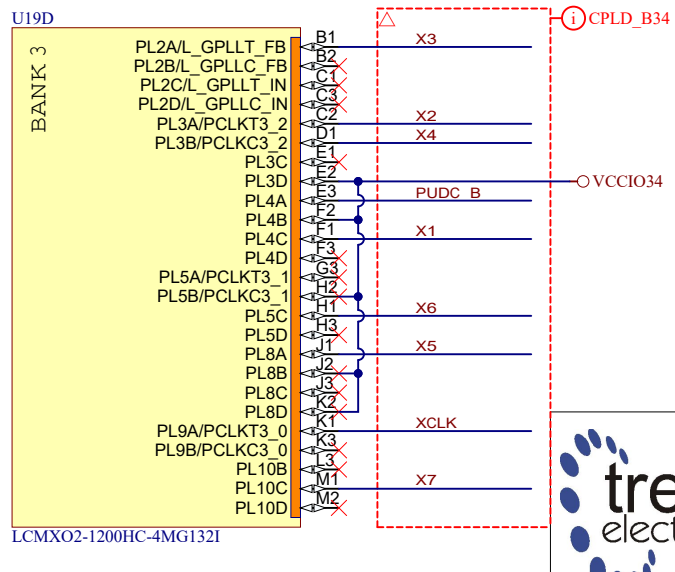
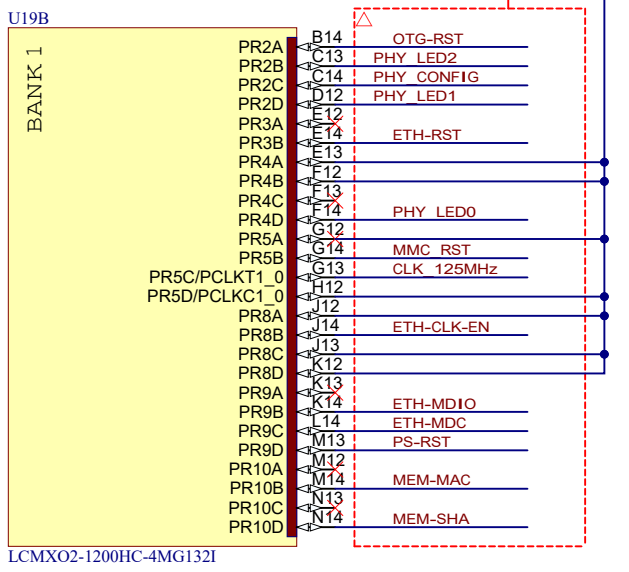
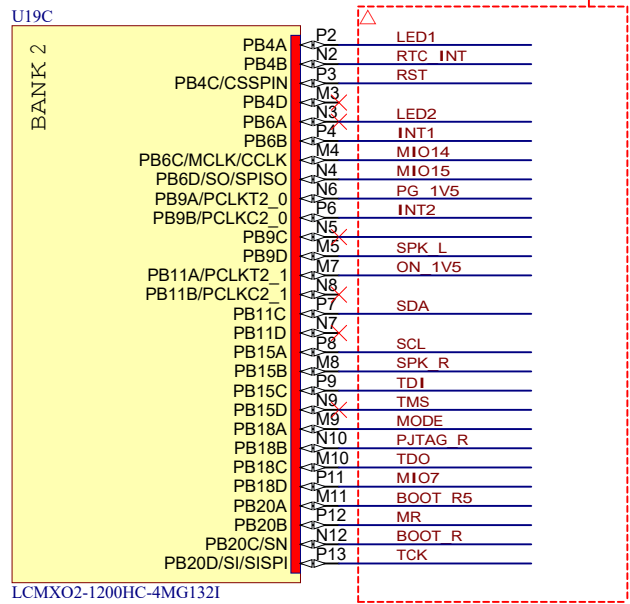
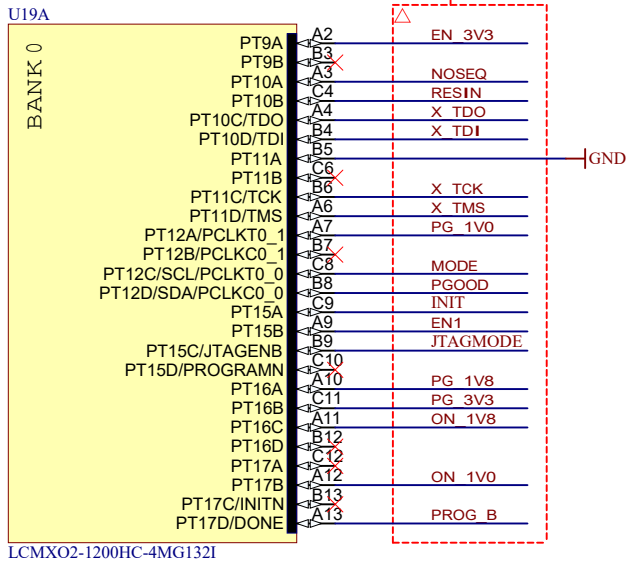


i B13

XA7Z020-1CLG484Q



Title: GigaZee - B13		
A4	Number: TE0720 61Q33MA	Rev. 03
Date: 2015-10-12	Copyright: 2013 Trenz Electronic GmbH	Page5 of 15
Filename: B13.SchDoc		



Title: GigaZee - System Controller		
A4	Number: TE0720 61Q33MA	Rev. 03
Date: 2015-10-12	Copyright: 2013 Trenz Electronic GmbH	Page6 of 15
Filename: SystemController.SchDoc		

1

2

3

4

1

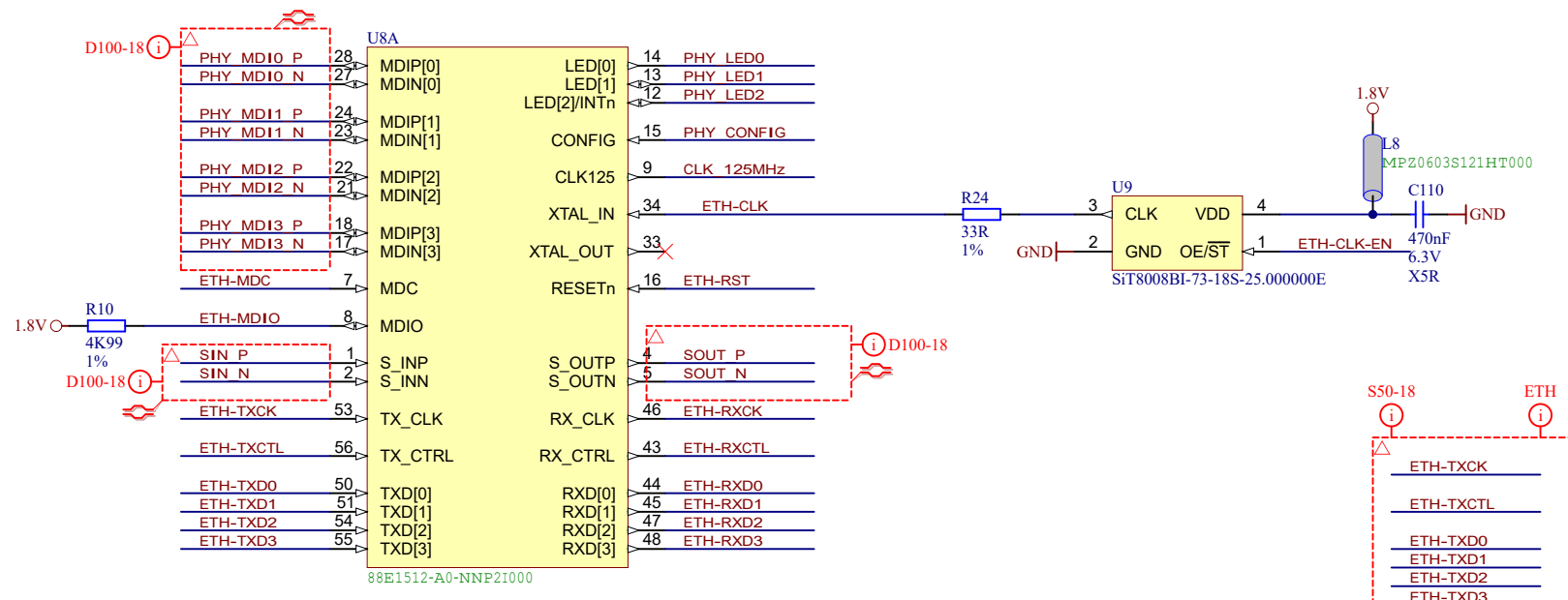
2

3

4

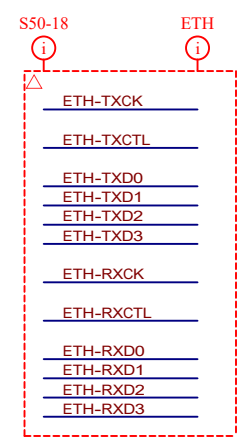
A

A



B

B




C

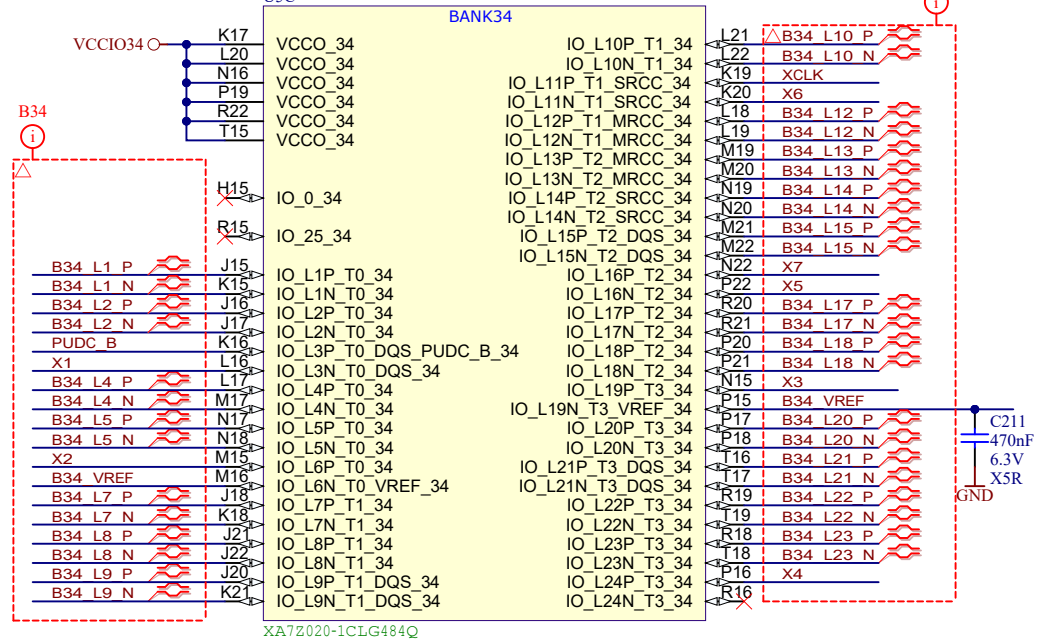
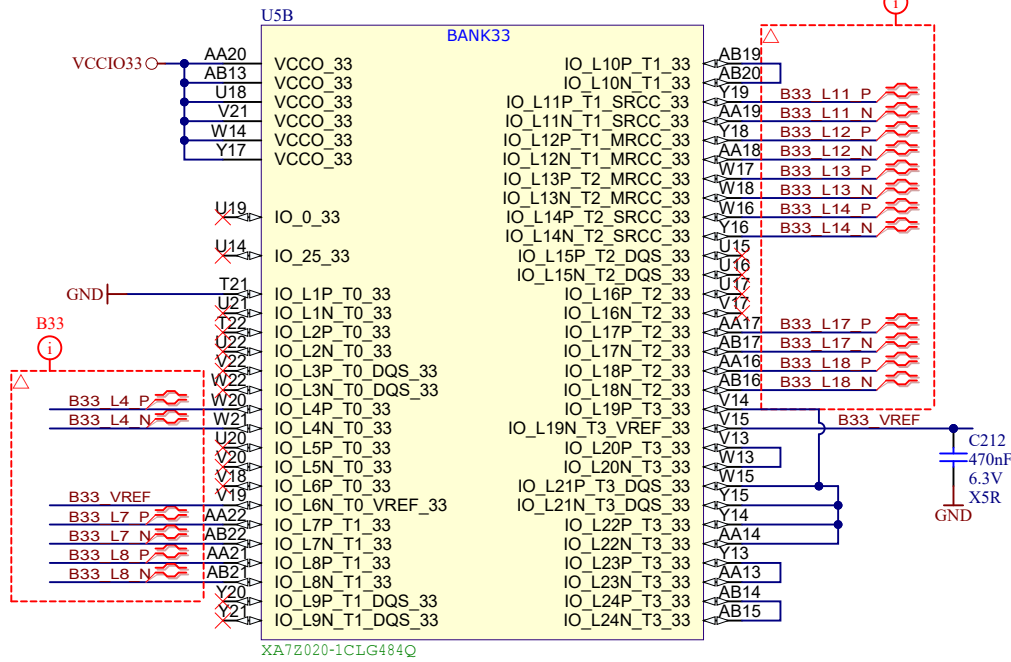
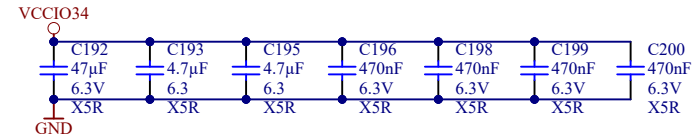
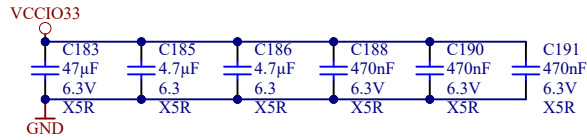
C

D

D

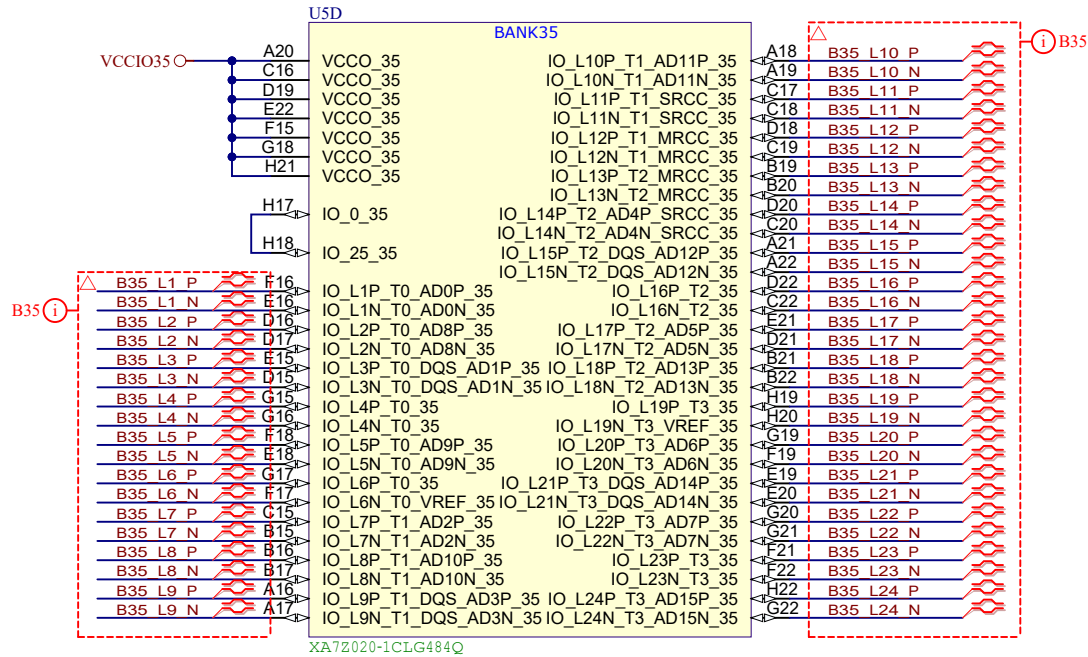
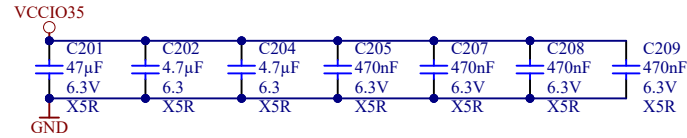
			Title: GigaZee - Ethernet	
			A4	Number: TE0720 61Q33MA
Date: 2015-10-12		Copyright: 2013 Trenz Electronic GmbH		Page 7 of 15
Filename: ETH-PHY.SchDoc				



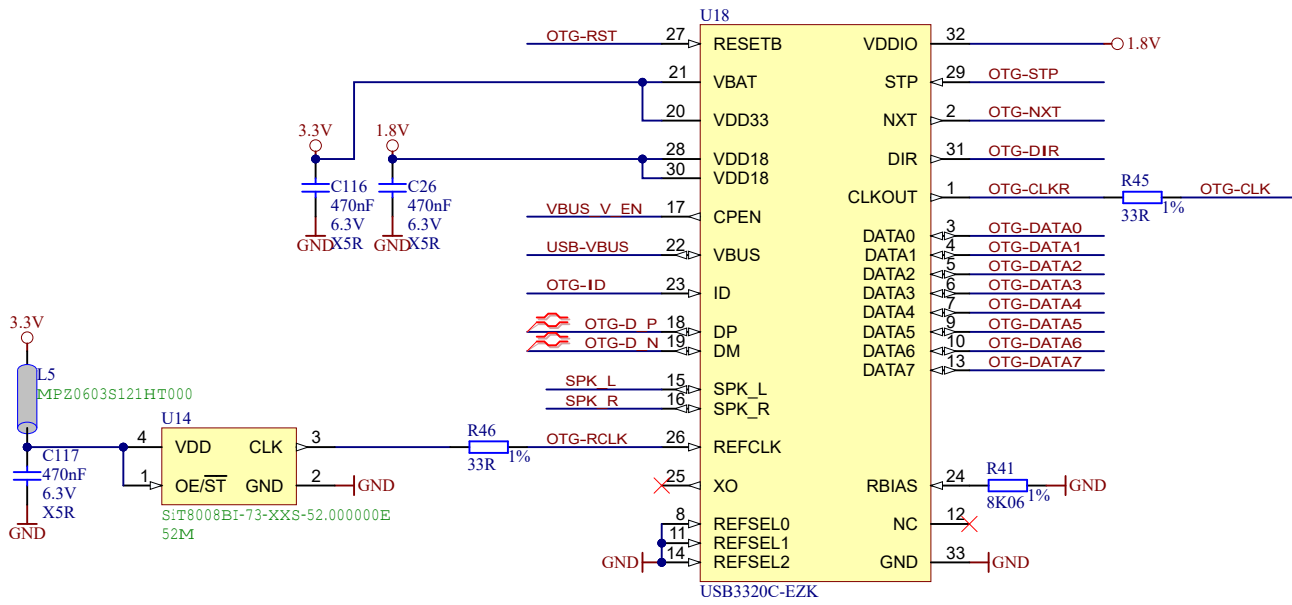


Title: GigaZee - B33 - B34		
A4	Number: TE0720 61Q33MA	Rev. 03
Date: 2015-10-12	Copyright: 2013 Trenz Electronic GmbH	Page8 of 15
Filename: B33-B34.SchDoc		

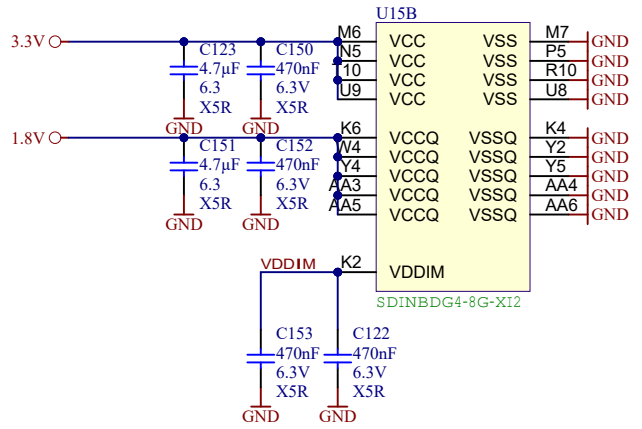
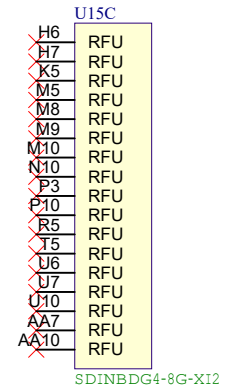
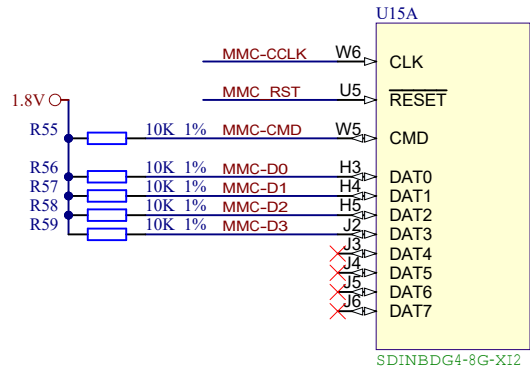
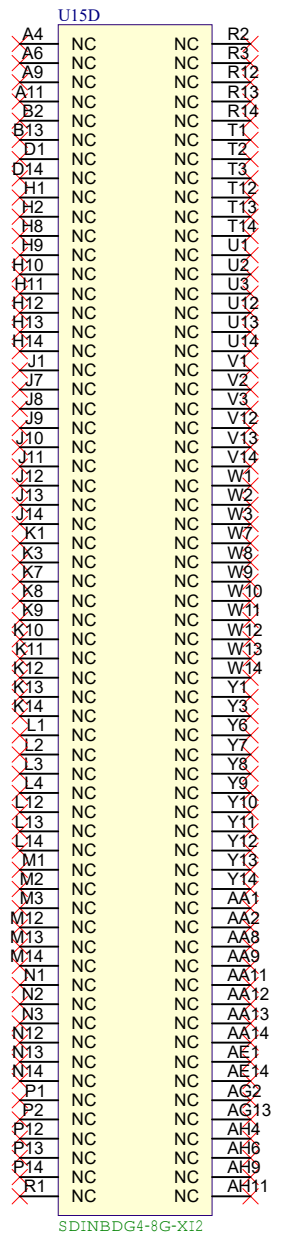




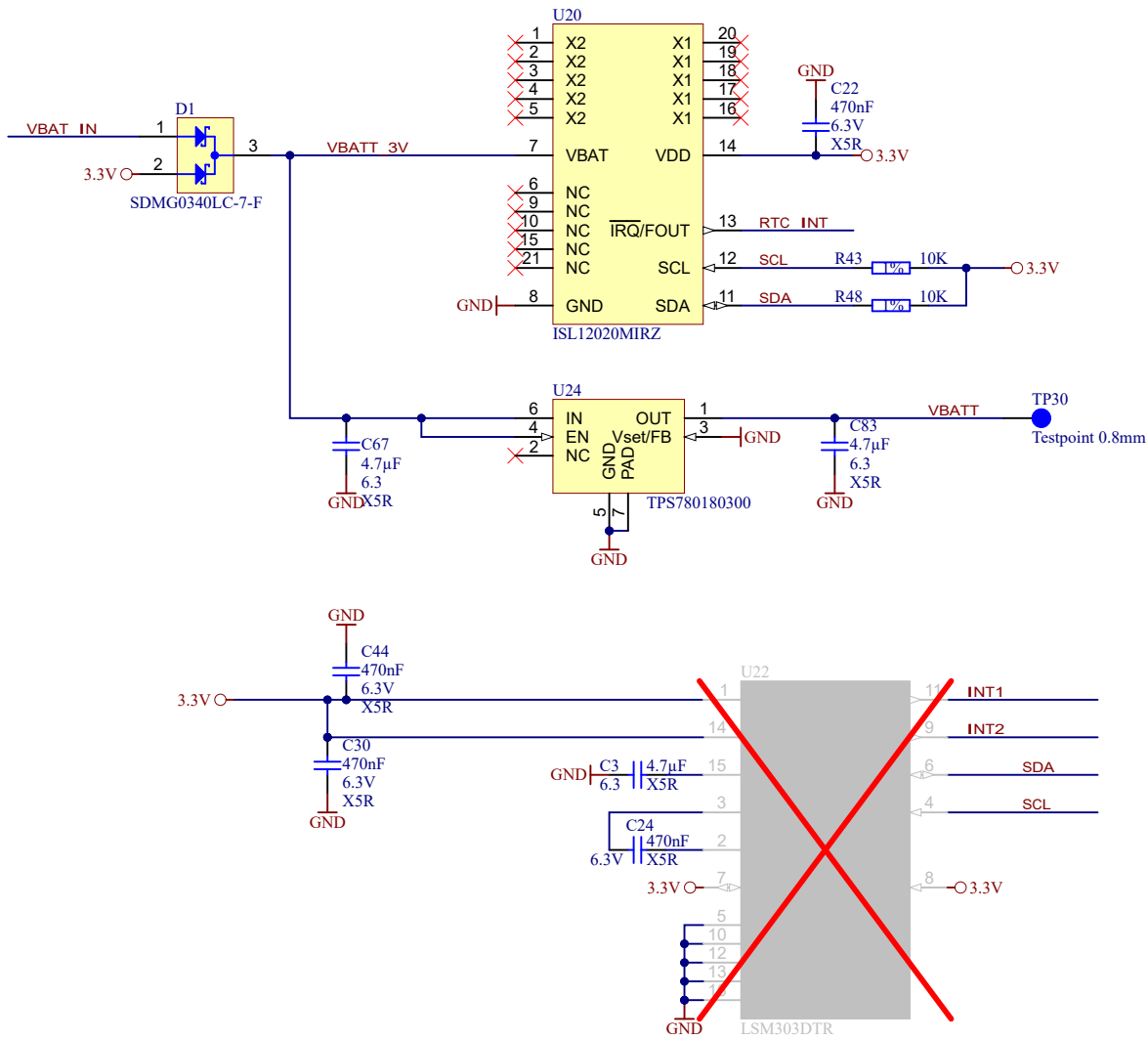
Title: GigaZee - B35		
A4	Number: TE0720 61Q33MA	Rev. 03
Date: 2015-10-12	Copyright: 2013 Trenz Electronic GmbH	Page9 of 15
Filename: B35.SchDoc		




	Title: GigaZee - USB		
	A4	Number: TE0720 61Q33MA	Rev. 03
	Date: 2015-10-12	Copyright: 2013 Trenz Electronic GmbH	Page 10 of 15
	Filename: USB-PHY.SchDoc		

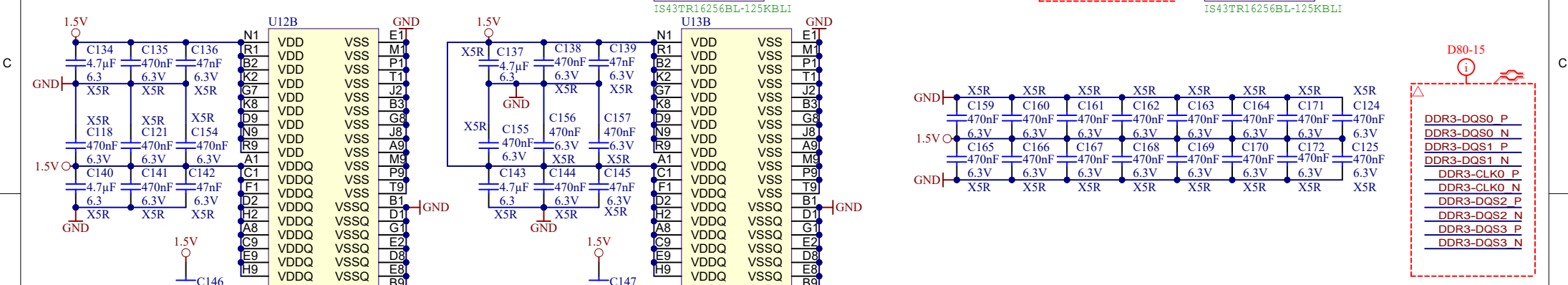
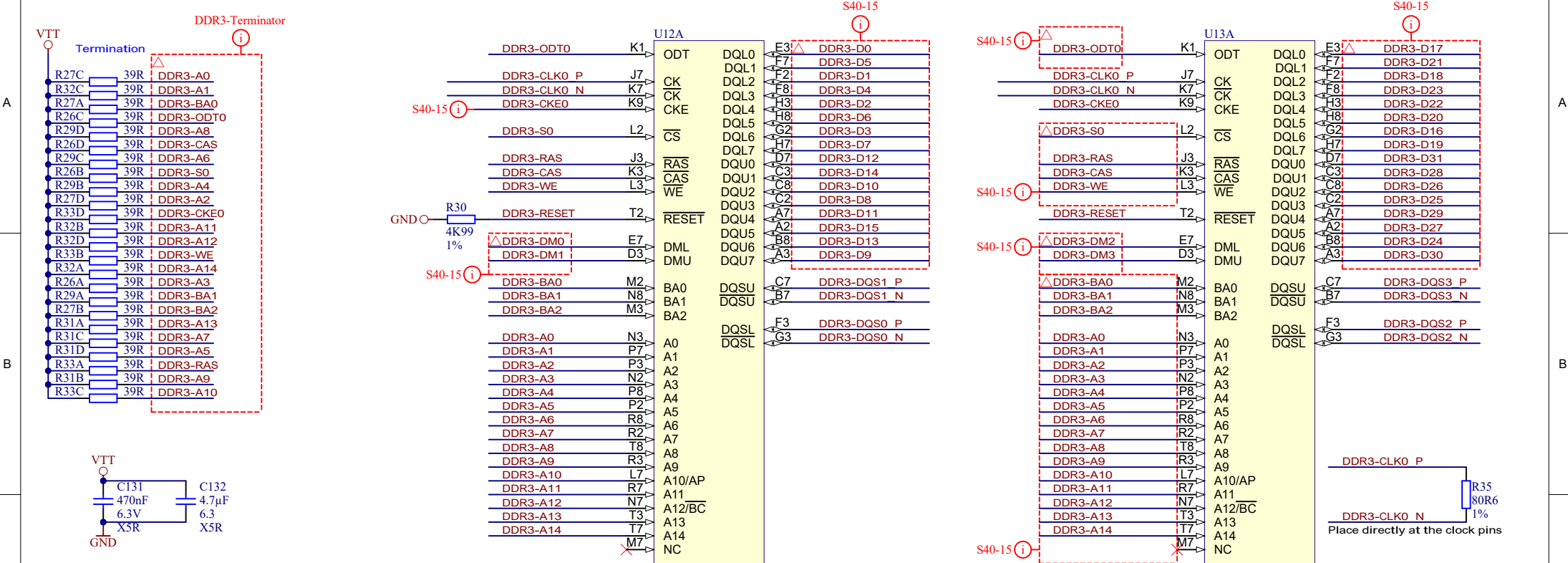


Title: GigaZee - eNAND		
A4	Number: TE0720 61Q33MA	Rev. 03
Date: 2015-10-12	Copyright: 2013 Trenz Electronic GmbH	Page 11 of 15
Filename: eMMC.SchDoc		



	Title: GigaZee - RTC, MEMS, SHA, MAC		
	A4	Number: TE0720 61Q33MA	Rev. 03
	Date: 2015-10-12	Copyright: 2013 Trenz Electronic GmbH	Page 12 of 15
	Filename: SENSOR-RTC.SchDoc		





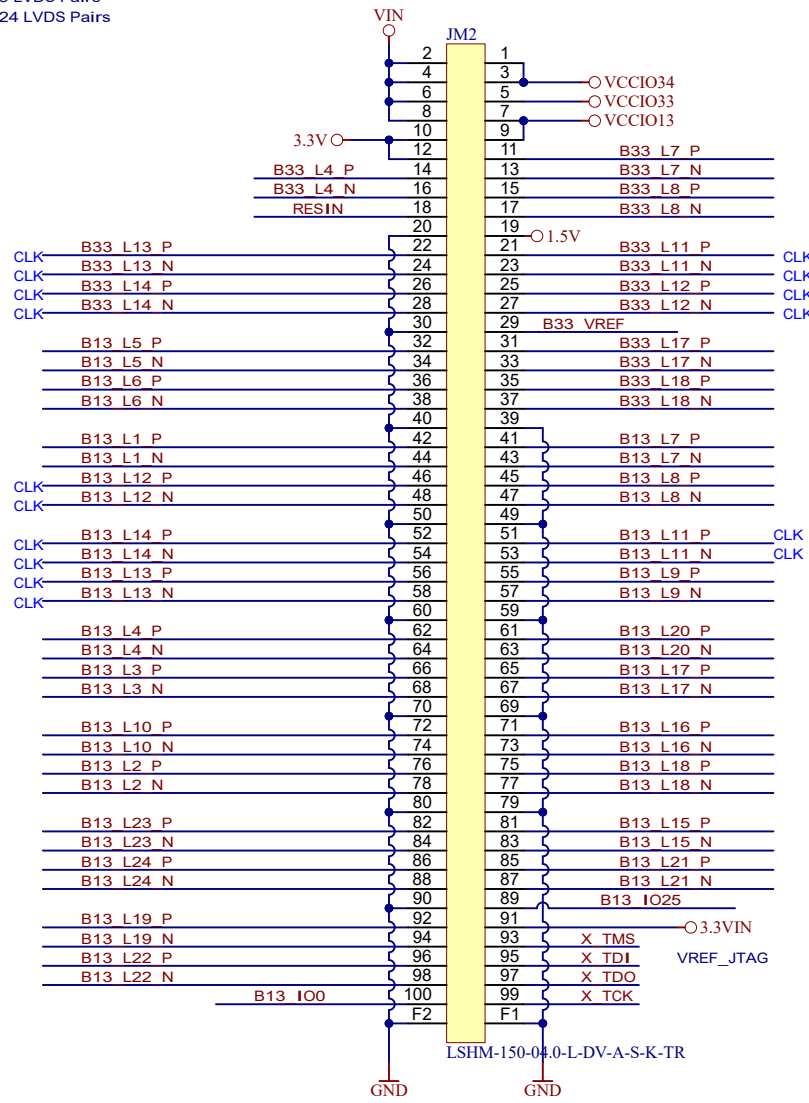
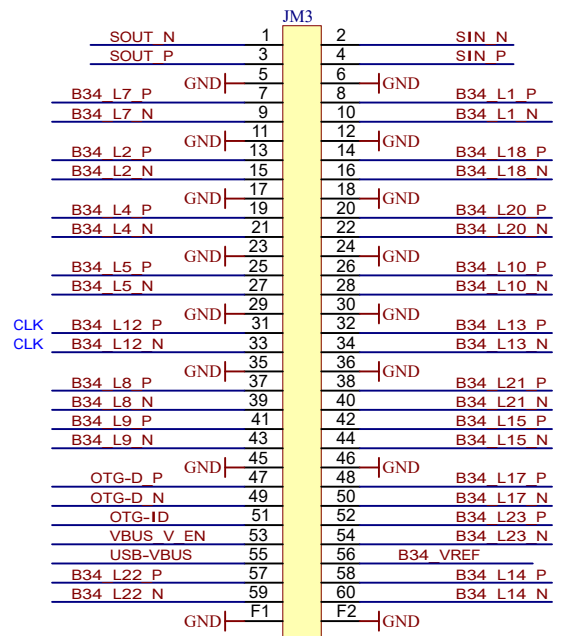
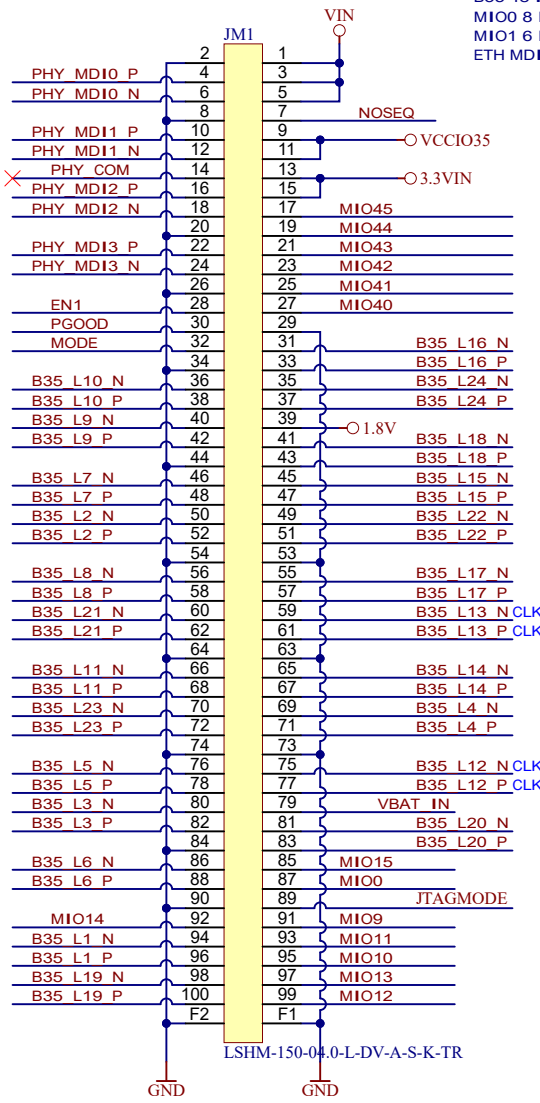
Title: **GigaZee - DDR3**

A4	Number: <b>TE0720 61Q33MA</b>	Rev. <b>03</b>
Date: 2015-10-12	Copyright: 2013 Trenz Electronic GmbH	
Filename: <b>DDR3-RAM.SchDoc</b>		Page 14 of 15

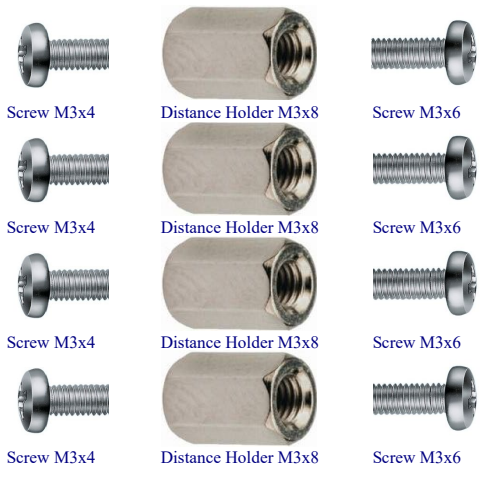
B35 48 IO, 24 LVDS Pairs  
 MIO0 8 IO, 3.3V  
 MIO1 6 IO 1.8V  
 ETH MDI Copper

B34 36 IO, 18 LVDS Pairs  
 USB OTG  
 ETH SGMII

B33 18 IO, 9 LVDS Pairs  
 B13 48 IO, 24 LVDS Pairs  
 B13 2 IO



Top of Board



Title: GigaZee - B2B Connector		
A4	Number: TE0720 61Q33MA	Rev. 03
Date: 2015-10-12	Copyright: 2013 Trenz Electronic GmbH	Page 15 of 15
Filename: B2B-Connectors.SchDoc		