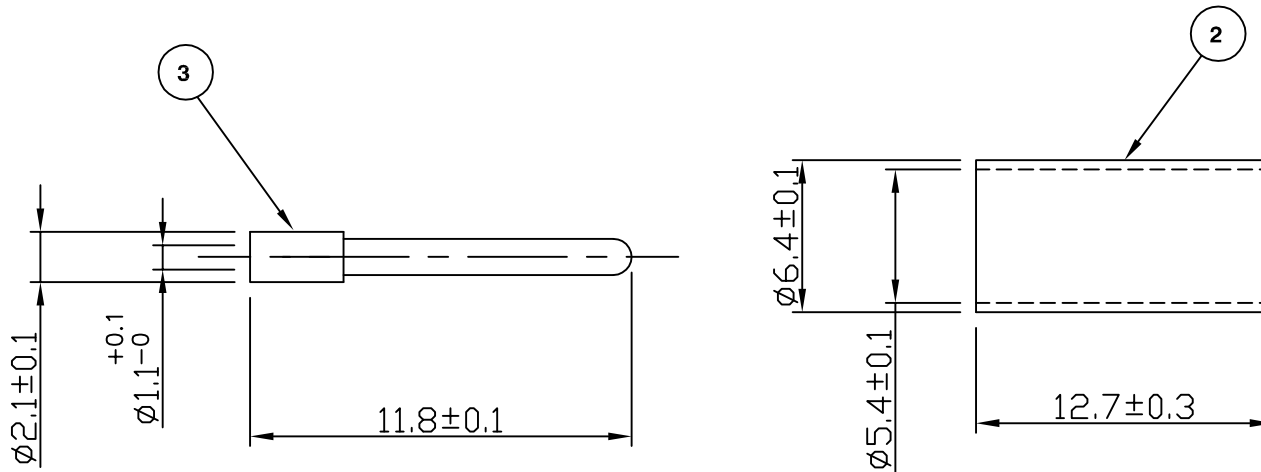
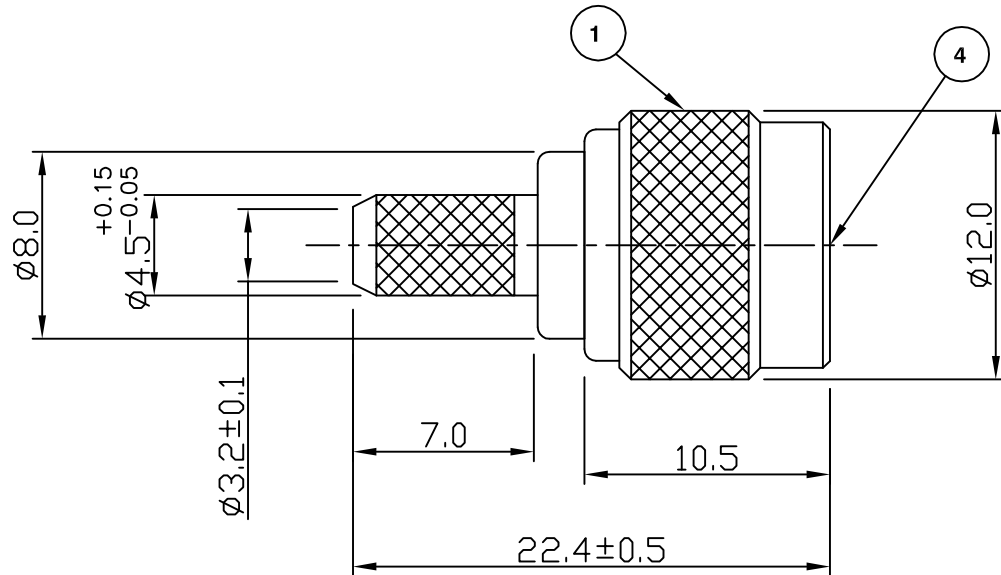


RoHS COMPLIANT



For stripping and assembly instructions see Drawing Number: VAIU1101

**Electrical Characteristics**

Nominal Impedance:	50 ohms
Frequency Range:	DC to 2.5 GHz
VSWR:	1.25:1 maximum
Insertion Loss:	0.2 dB at 3 GHz
Operating Voltage (rms):	335 V maximum at sea level
Dielectric Withstand Voltage (rms):	1500 V maximum at sea level
Contact Resistance:	1.5 milliohms maximum
Insulation Resistance:	5000 megohms minimum

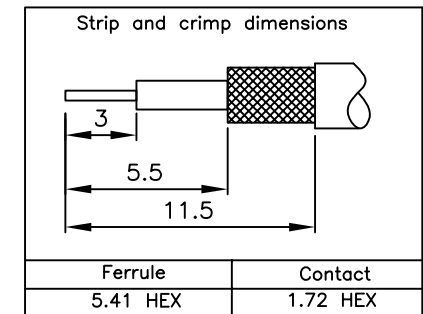
**Mechanical Characteristics**

Mating Cycles:	500 cycles minimum
Interface Dimensions:	Conform to MIL-C-39012

**Environmental Characteristics**

Temperature Range:	-55°C to +85°C
--------------------	----------------

PART	DESCRIPTION
1	Body Brass, nickel plated 2.54 μm
2	Ferrule Brass, nickel plated 2.54 μm
3	Contact Brass, gold plated 0.076 μm - 0.127 μm
4	Dielectric POM



CAD Issue	PDC	2	17 May 02
First Issue	AT	1	24 Aug 95
DESCRIPTION OF REVISION	APPVD	ISS	DATE



Cinch Connectivity Solutions  
7-13 Russel Way,  
Widford Industrial Estate,  
Chelmsford,  
Essex, CM1 3AA, UK  
Tel: +44 (0) 1245 359515  
Fax: +44 (0) 1245 358938

SCALE: Not To Scale

DIMENSIONS: mm

TOLERANCES:  
± 0.2mm unless  
otherwise stated

DRAWN BY: P D couzens

CHECKED BY: P D couzens

APPROVED BY: S Nash

DATE: 17 May 02

TITLE:  
Mini UHF Crimp Plug for RG58

PART NUMBER:  
**VMU10-2051**

PAGE: 1 of 1