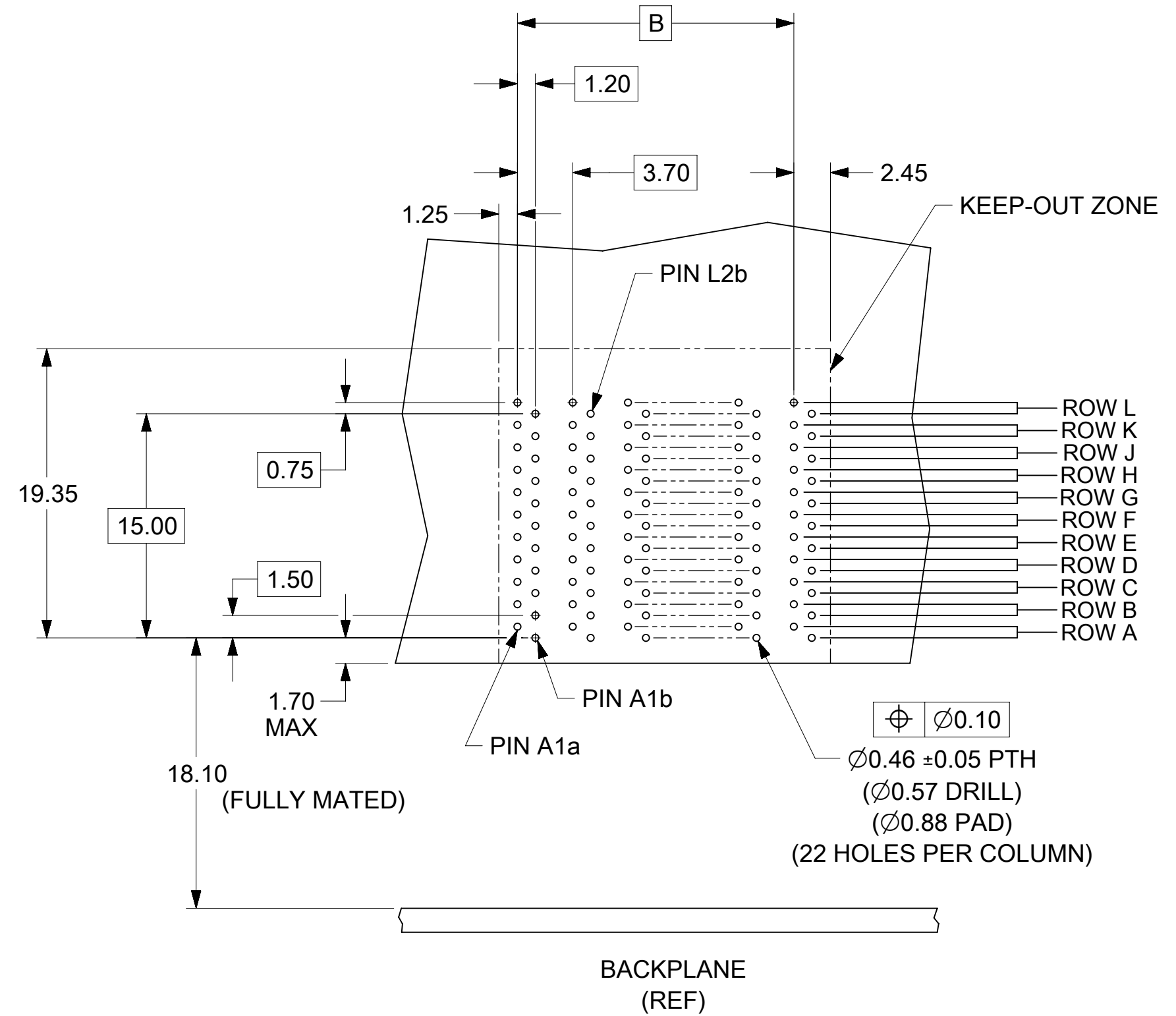
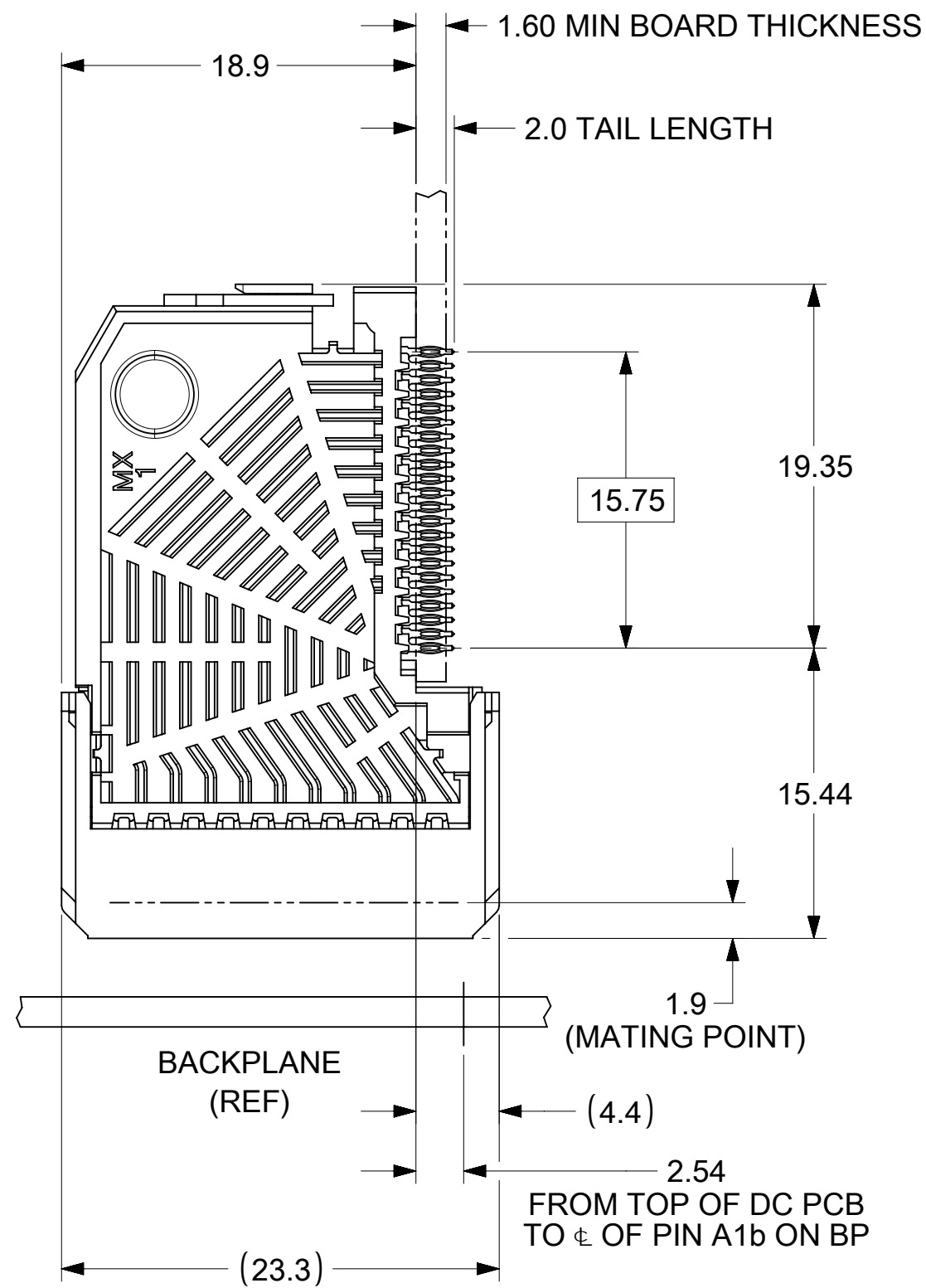
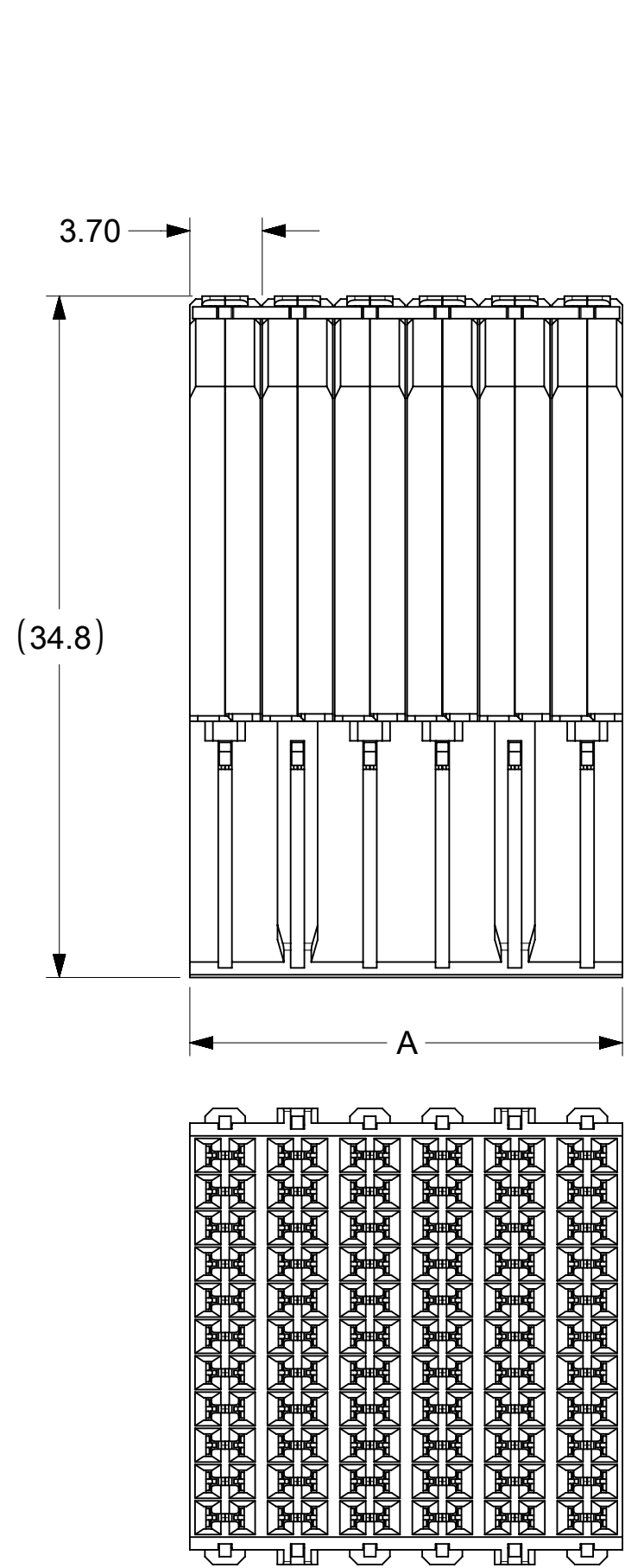
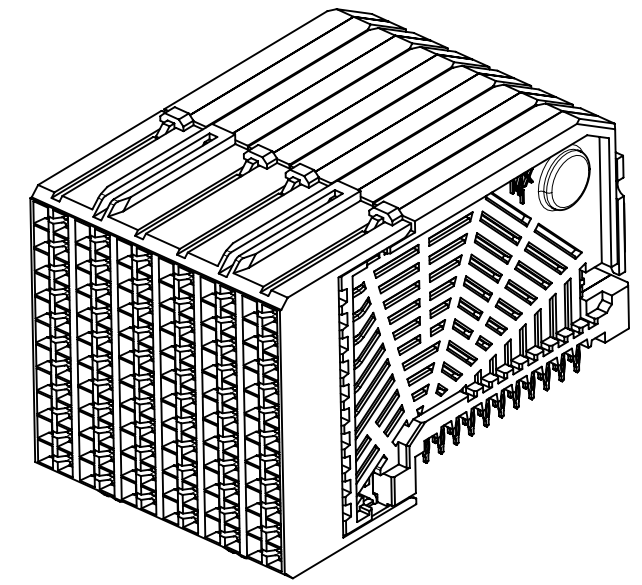


MATERIAL NUMBER	# OF COLUMNS	DIM "A" MAX	DIM "B"
75710-***5	5	18.50	14.80
75710-***6	6	22.20	18.50
75710-***8	8	29.60	25.90
75710-***0	10	37.00	33.30

MODULE TYPE -- TAIL PLATING TYPE
 UNGUIDED -- MATTE TIN (FORMERLY TIN/LEAD) = 0
 UNGUIDED -- MATTE TIN = 1

75710- * 0 * *

OF COLUMNS/PLATING
 05 = 5 COL 30 GOLD
 06 = 6 COL 30 GOLD
 08 = 8 COL 30 GOLD
 10 = 10 COL 30 GOLD
 55 = 5 COL 10 GOLD (MAPS)
 56 = 6 COL 10 GOLD (MAPS)
 58 = 8 COL 10 GOLD (MAPS)
 50 = 10 COL 10 GOLD (MAPS)



DAUGHTERCARD HOLE PATTERN
(CONNECTOR SIDE)

- NOTES:
- MATERIALS: HOUSING - LIQUID CRYSTAL POLYMER (LCP) GLASS-FILLED, UL94V-0
TERMINALS - HIGH PERFORMANCE COPPER ALLOY
 - FINISH: SELECTIVE GOLD IN CONTACT AREA.
SELECTIVE MATTE TIN ON PCB TAILS. NICKEL OVERALL.
 - REFER TO MOLEX PRODUCT SPEC PS-75710-999 FOR PERFORMANCE SPECIFICATIONS.
 - PRODUCT IS PACKAGED PER PK-70873-609.
 - THIS PART CONFORMS TO CLASS B REQUIREMENTS OF COSMETIC SPEC PS-45499-002.
 - MAPS (MOLEX ADVANCED PLATING SYSTEM)

THIS DRAWING CONTAINS INFORMATION THAT IS PROPRIETARY TO MOLEX ELECTRONIC TECHNOLOGIES, LLC AND SHOULD NOT BE USED WITHOUT WRITTEN PERMISSION											
DIMENSION UNITS		SCALE		CURRENT REV DESC: REMASTERED TO NX							
mm		NTS									
GENERAL TOLERANCES (UNLESS SPECIFIED)				EC NO: 671119 DRWN: YOGEEB CHK'D: VINODM3 APPR: CWANG25 2021/06/24 2022/02/03 2022/02/18							
ANGULAR TOL ± 0.5°				I-TRAC DAUGHTERCARD 11 ROW SIGNAL MODULE UNGUIDED SALES DWG							
4 PLACES ±				PRODUCT CUSTOMER DRAWING							
3 PLACES ±				DOCUMENT NUMBER							
2 PLACES ± 0.13				SD-75710-001							
1 PLACE ± 0.25				DOC TYPE DOC PART REVISION							
0 PLACES ±				PSD 001 E1							
DRAFT WHERE APPLICABLE MUST REMAIN WITHIN DIMENSIONS				THIRD ANGLE PROJECTION		DRAWING		SERIES		MATERIAL NUMBER	
						C-SIZE		75710		SEE TABLE	
								CUSTOMER		GENERAL MARKET	
										SHEET NUMBER	
										1 OF 1	