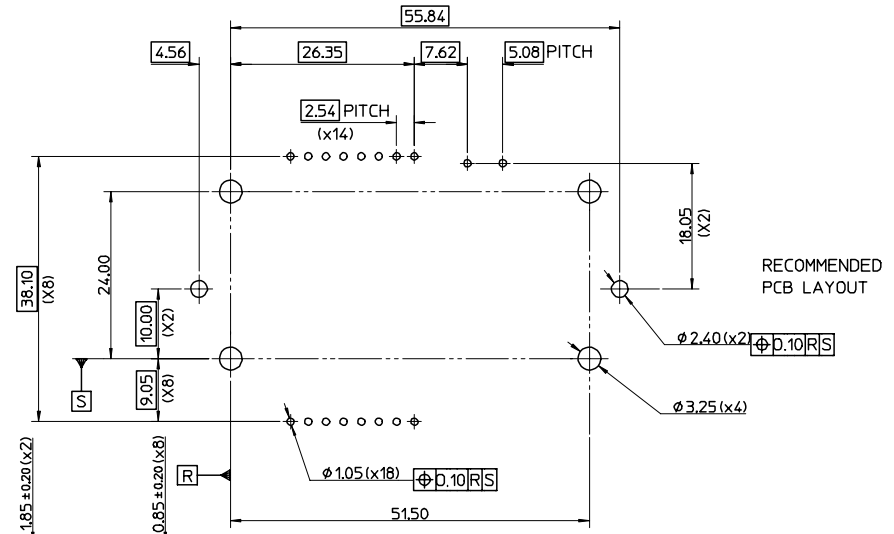
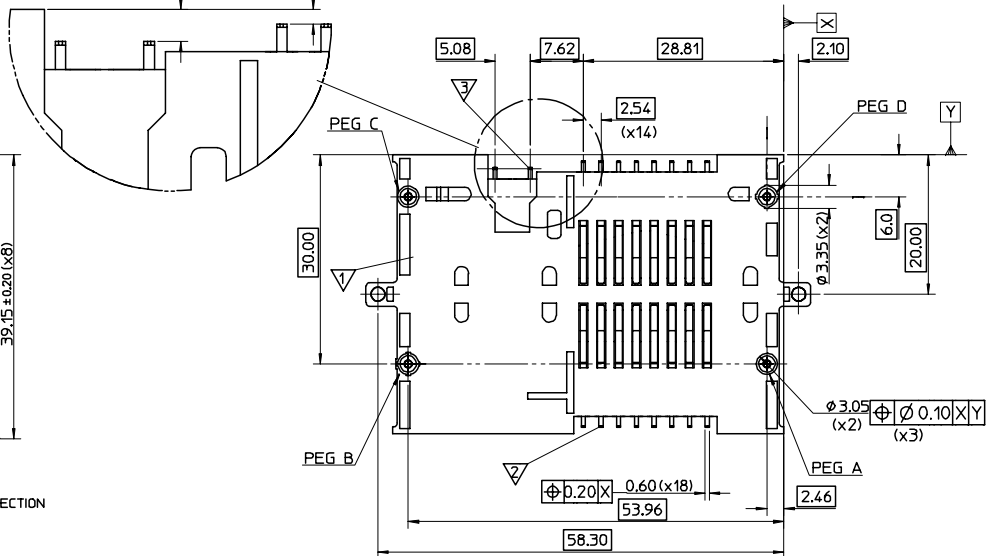
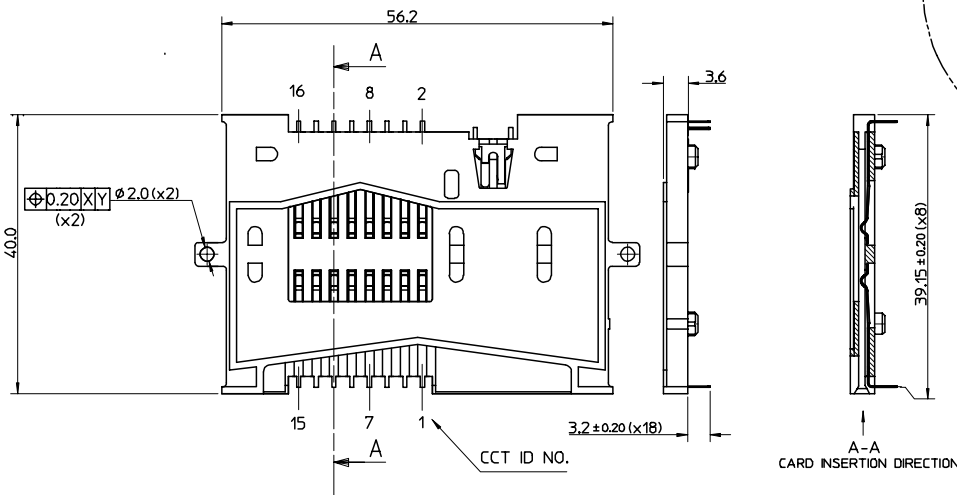


| ITEM | COMPONENT | QTY | MATERIAL |
|------|-----------------|-----------|--------------------------------------------------------------------|
| ▽ | HOUSING | 1 | POLYAMIDE (PA46) ,45% GLASS FILL ,COLOUR BLACK |
| ▽ | SIGNAL TERMINAL | SEE CHART | 0.20 REF. THK. PHOSPHOR BRONZE GOLD OVER NICKEL ON CONTACT AREA |
| ▽ | SWITCH CONTACT | 1 | TIN IN SOLDER AREA. NICKEL UNDERCOAT ALLOVER |

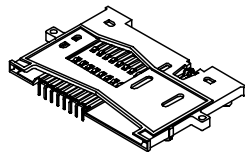
| PART NO. | CCT SIZE | WITH PEGS | HOLD DOWN FEATURES | PART NO. | CCT SIZE | WITH PEGS | HOLD DOWN FEATURES |
|------------|----------|-----------|--------------------|------------|----------|-----------|--------------------|
| 91322-0004 | 8 | A,B,C,D | YES | 91322-0003 | 16 | A,B,C,D | YES |
| 91322-0026 | 8 | A,B,C,D | NO | 91322-0040 | 16 | A,B,C,D | NO |
| 91322-0019 | 8 | A,C | YES | 91322-0033 | 16 | A,C | YES |
| 91322-0020 | 8 | A,C | NO | 91322-0034 | 16 | A,C | NO |
| 91322-0021 | 8 | B,D | YES | 91322-0035 | 16 | B,D | YES |
| 91322-0022 | 8 | B,D | NO | 91322-0036 | 16 | B,D | NO |
| 91322-0023 | 8 | NONE | YES | 91322-0037 | 16 | NONE | YES |
| 91322-0024 | 8 | NONE | NO | 91322-0038 | 16 | NONE | NO |



RECOMMENDED
PCB LAYOUT



NOTES:
1. SEE PRODUCT SPECIFICATION PS-91321-005
2. PACKAGING: TRAYS.



| | | | | | | | |
|---------------|--------------------------|-----------------|---------------------------------------|-------------------------------------------------------------------------------------------------------------------------------|-------------------------------------------|------------------------|--------------------|
| DRAWING ERROR | EC NO: E2006-0249 | QUALITY SYMBOLS | GENERAL TOLERANCES (UNLESS SPECIFIED) | SCALE 2 : 1 | DESIGN UNITS METRIC | THIRD ANGLE PROJECTION | REVISE ON CAD ONLY |
| | DRWN:DBYRNES 08/11/2004 | ▽ 0 | mm INCH | MM ONLY | TITLE | | |
| | CHKD:BYRNES 2005/10/04 | ∇ 0 | 4 PLACES ± --- ± --- | DRAWN BY DATE | SMART CARD CONNECTOR FRICTION (THRU HOLE) | | |
| | APPR:BMAGUIRE 2005/10/12 | | 3 PLACES ± --- ± --- | MKEANE 98/08/28 | | | |
| | | | 2 PLACES ± 0.05 ± --- | CHECKED BY DATE | MOLEX INCORPORATED | | |
| | | | 1 PLACE ± 0.10 ± --- | JHORGAN 98/08/28 | | | |
| | | | ANGULAR ±1/2° | APPROVED BY DATE | MATERIAL NO. | DOCUMENT NO. | SHEET NO. |
| | | | DRAFT WHERE APPLICABLE | MWLHITE 98/08/28 | SEE CHART | SD-91322-005 | 1 OF 1 |
| | | | MUST REMAIN WITHIN DIMENSIONS | THIS DRAWING CONTAINS INFORMATION THAT IS PROPRIETARY TO MOLEX INCORPORATED AND SHOULD NOT BE USED WITHOUT WRITTEN PERMISSION | | | |