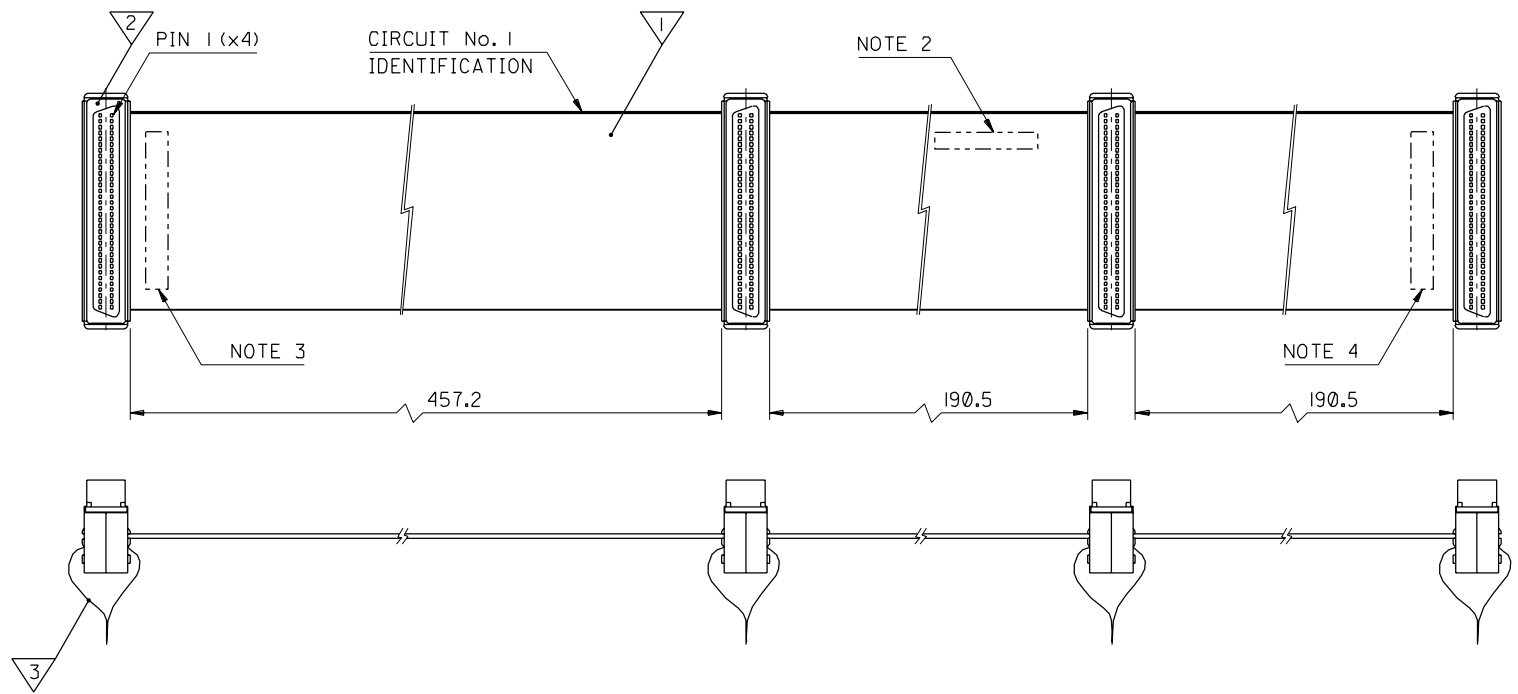


PART NO. 92303-0005
 DWG. NO. SDA-92303-0005



ITEM	COMPONENT	SUPPLIER	DESCRIPTION	QUANTITY	NOTE
1	191-3005-068	AMPHENOL	68 CCT RIBBON CABLE 30 AWG	880mm	2,3,4
2	70498-5068	MOLEX	SCSI 68 CCT CONNECTOR WITH STRAIN RELIEF	4	1,5
3		MOLEX	PULL TAB PULL TAB 34	4	4

- NOTES:
- SEE PRODUCT SPECIFICATION PSX9058
 - PRINT DELL P/N AND REVISION "84545-A00" APPROXIMATELY WHERE SHOWN. TEXT HEIGHT 3.2
 - PRINT "CNTL" APPROXIMATELY WHERE SHOWN. TEXT HEIGHT 3.2
 - PRINT "DRIVE" APPROXIMATELY WHERE SHOWN. TEXT HEIGHT 3.2
 - HARNESS TO BE 100% ELECTRICALLY TESTED

CHNAGE IN P/N EC NO. 2000-0197 DRWN:DMCN 99/09/10 CHK: / / / APPR: / / / AI	QUALITY SYMBOLS MAJOR = CRITICAL = C =	GENERAL TOLERANCES: (UNLESS SPECIFIED) mm INCH 4 PLACES ±0. ±. 3 PLACES ±0. ±. 2 PLACES ±0. ±. 1 PLACE ±0. ±. ANGULAR: ± 1/2°	SCALE 1:1 DESIGN UNITS <input checked="" type="checkbox"/> mm <input type="checkbox"/> INCH DRAWN BY & DATE DAB 96/12/20 CHECKED BY & DATE BENRIGHT 99/09/13 APPROVED BY & DATE JHORGAN 99/09/13 CAD FILENAME	DIMENSIONS: <input type="checkbox"/> mm <input type="checkbox"/> INCH <input checked="" type="checkbox"/> mm ONLY THIRD ANGLE PROJECTION TITLE: 68CCT RIBBON CABLE MOLEX INCORPORATED MATERIAL NO. 92303-0005 DRAWING NO. SDA-92303-0005 SHEET NO. 1 OF 1	SHT REV REVISE ON CAD ONLY
	DRAFT WHERE APPLICABLE MUST REMAIN WITHIN DIMENSIONS	THIS DRAWING CONTAINS INFORMATION THAT IS PROPRIETARY TO MOLEX INCORPORATED AND SHOULD NOT BE USED WITHOUT WRITTEN PERMISSION.		SIZE B	