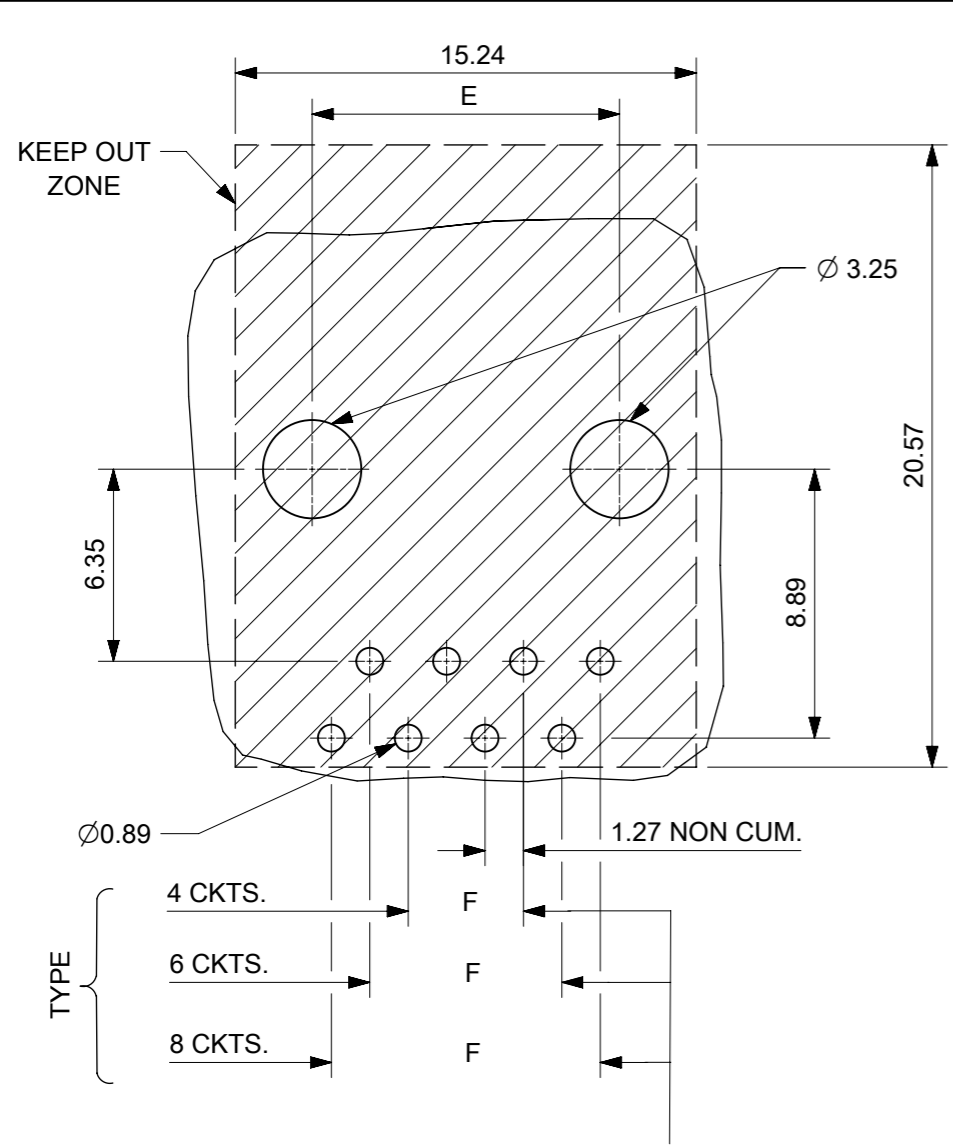
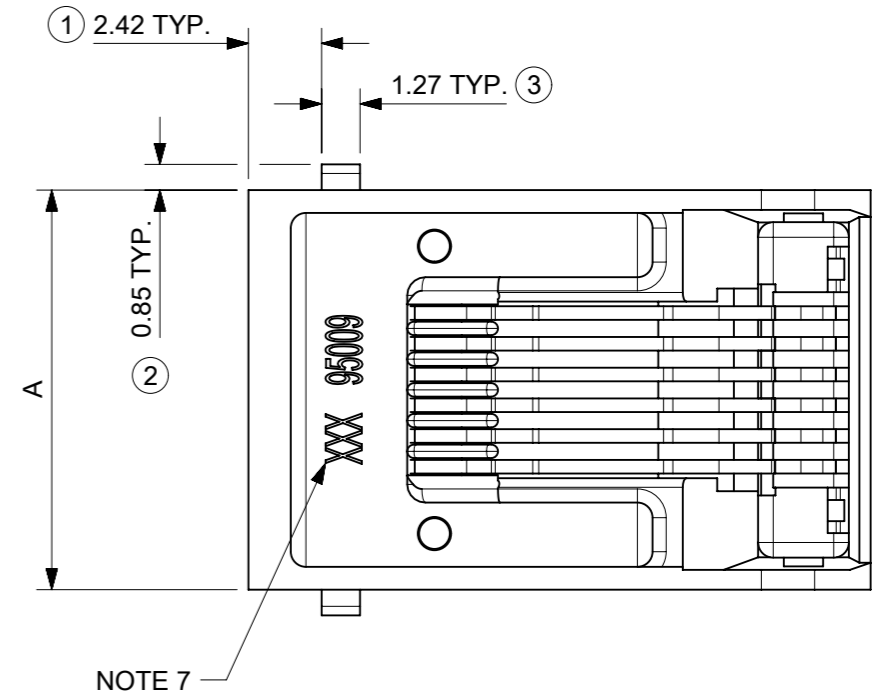
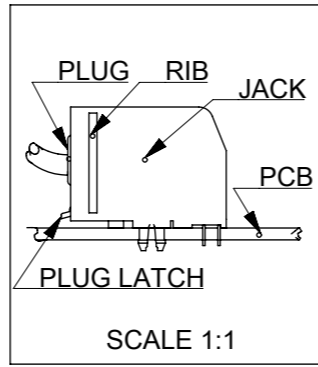


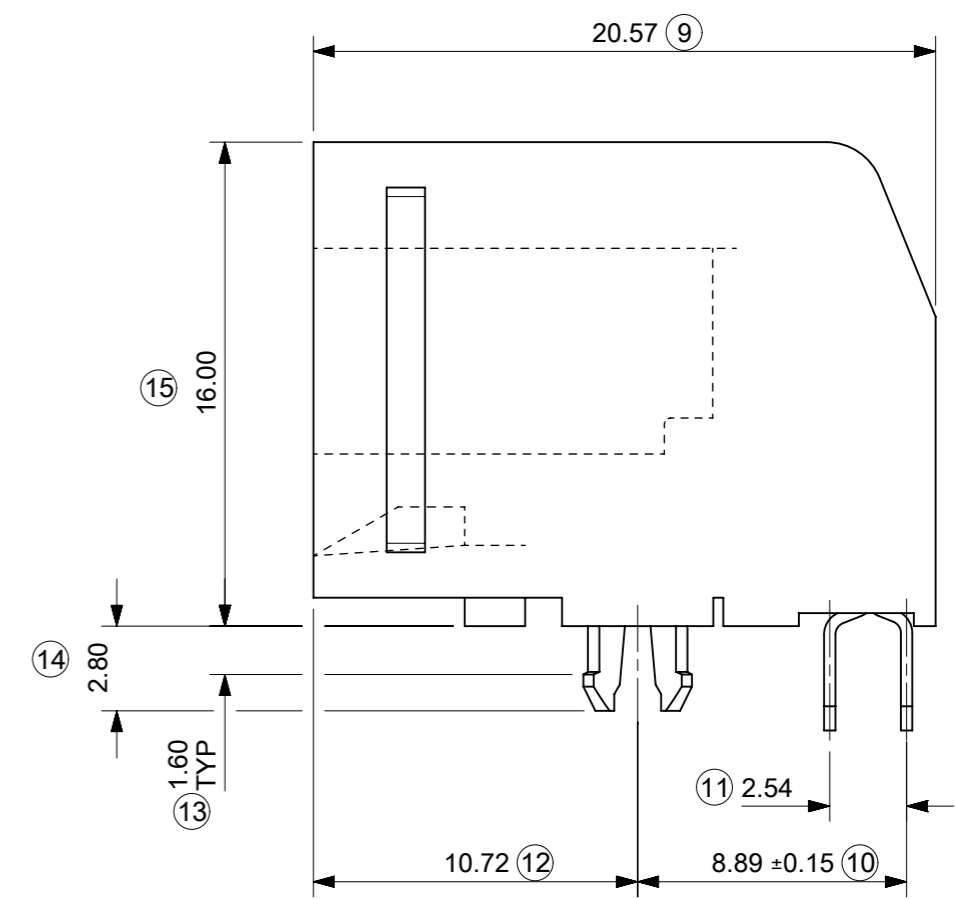
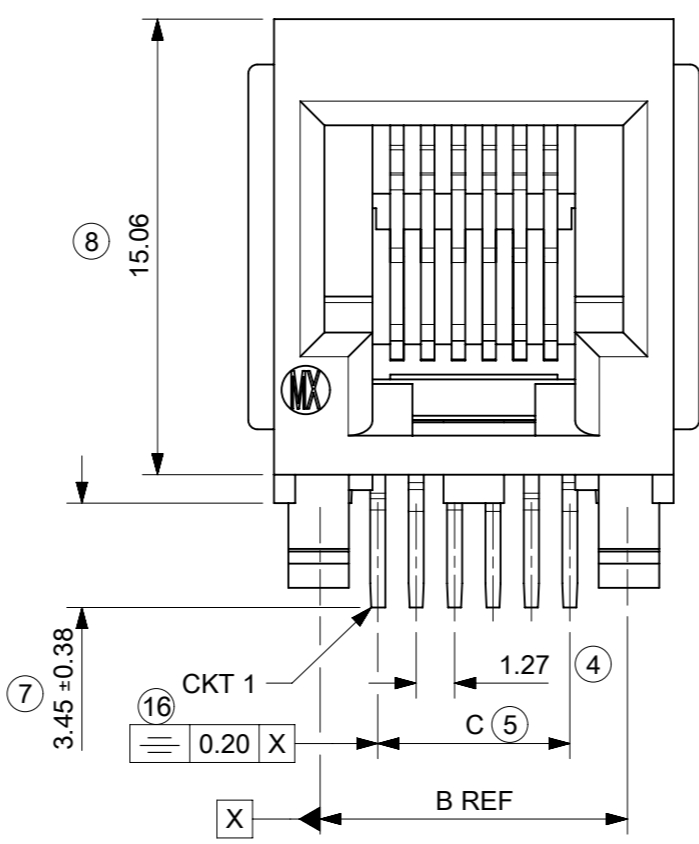
NOTES:

- MATERIAL: POLYESTER FIBER GLASS FILLED UL 94-V0
COLOR BLACK
- TERMINAL: COPPER ALLOY
- PLATINGS: BASE FINISH: NICKEL
CONTACT SURFACE FINISH:
GOLD
OR
GOLD FLASH OVER PALLADIUM NICKEL
EXCEEDS PRODUCT REQUIREMENTS BASED ON PS-95009-001
- PC BOARD THICKNESS: 1.57
- JACK FOR MATING WITH IEC-60603-7 AND TIA-1096-A
MOLEX 90075 SERIES PLUGS
- PRODUCT SPECIFICATION PS-95009-001
- APPLICATION SPECIFICATION AS-95001
- PACKAGING SPECIFICATION PK-95029
- MANUFACTURING I.D. CAN BE MXF, MG, MXI OR MXCH

INSPECTION NUMBERS USED: 1 - 50
LAST INSPECTION NUMBER: 16
REMOVED INSPECTION NO: 6

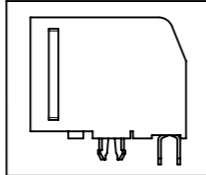


MOUNTING HOLE PATTERNS
(SEE FROM COMPONENT SIDE)
ALL DIMENSIONS REF DIMENSIONS

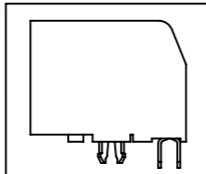


THIS DRAWING CONTAINS INFORMATION THAT IS PROPRIETARY TO MOLEX ELECTRONIC TECHNOLOGIES, LLC AND SHOULD NOT BE USED WITHOUT WRITTEN PERMISSION													
DIMENSION UNITS: mm		SCALE: 4:1		CURRENT REV DESC: REMASTERED USING 3D MODELS									
GENERAL TOLERANCES (UNLESS SPECIFIED)				<p>molex</p> <p>FLUSH MOUNT RIGHT ANGLE MODULAR JACK ASSEMBLY THROUGH HOLE VERSION</p> <p>PRODUCT CUSTOMER DRAWING</p>									
ANGULAR TOL ± 0.5°													
4 PLACES ±		EC NO: 686855								DRWN: AKUMAR19		2021/08/12	
3 PLACES ±		CHK'D: KLANG								APPR: KLANG		2022/01/17	
2 PLACES ± 0.25		INITIAL REVISION:								DRWN: RFC_PLMIMP		2018/11/02	
1 PLACE ± 0.35		APPR: KNOLLER								DRWN: RFC_PLMIMP		2004/11/15	
0 PLACES ±		THIRD ANGLE PROJECTION		DRAWING: A3-SIZE		SERIES: 95009		MATERIAL NUMBER: SEE CHART					
DRAFT WHERE APPLICABLE MUST REMAIN WITHIN DIMENSIONS		DRAWING: A3-SIZE		SERIES: 95009		MATERIAL NUMBER: SEE CHART		CUSTOMER: GENERAL MARKET					
DOCUMENT STATUS: P1		RELEASE DATE: 2022/01/17 14:47:24		DOCUMENT NUMBER: SDA-95009-F		DOC TYPE: PSD		DOC PART: 001					
				REVISION: L2		SHEET NUMBER: 1 OF 2							

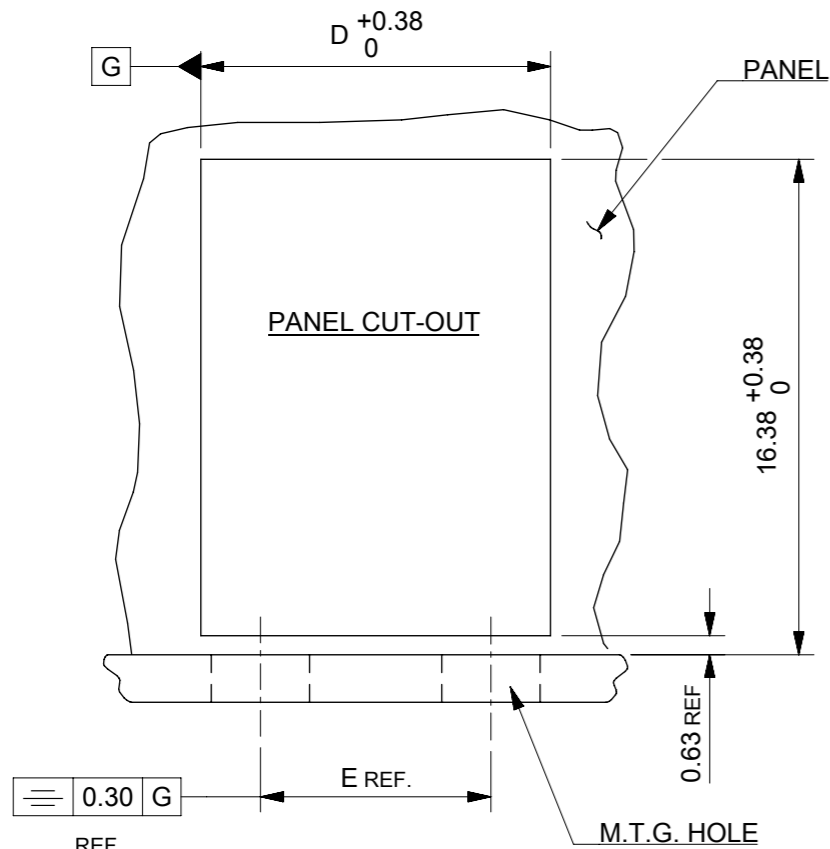
PART NUMBERS FOR JACK WITH RIBS

	TYPE	POS. 4	TOOLED	POS. 6	TOOLED	POS. 6	TOOLED	POS. 8	TOOLED
	PLATING	4 CKTS.	TOOLED	4 CKTS.	TOOLED	6 CKTS.	TOOLED	8 CKTS.	TOOLED
	FINISH 7	95009-7441	X	95009-7641	X	95009-7661	X	95009-7881	X

PART NUMBERS FOR JACK WITHOUT RIBS

	TYPE	POS. 4	TOOLED	POS. 6	TOOLED	POS. 6	TOOLED	POS. 8	TOOLED
	PLATING	4 CKTS.	TOOLED	4 CKTS.	TOOLED	6 CKTS.	TOOLED	8 CKTS.	TOOLED
	FINISH 7	N/A	X	95009-2647	X	95009-7667	X	95009-7887	X

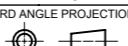
SUGGESTED BOARD LAYOUT
ALL DIMENSIONS ARE REFERENCE DIMENSIONS



TYPE	POS. 4	POS. 6		POS. 8
	4 CKTS.	4 CKTS.	6 CKTS.	8 CKTS.
PLATING				
A	11.18	13.21	13.21	15.24
B	7.62	10.16	10.16	11.43
C	3.81	3.81	6.35	8.89
D	11.56	13.59	13.59	15.62
E	7.62	10.16	10.16	11.43
F	3.81	3.81	6.35	8.89

NOTES:

INSPECTION NUMBERS USED: 51 - 100
LAST INSPECTION NUMBER: 53

THIS DRAWING CONTAINS INFORMATION THAT IS PROPRIETARY TO MOLEX ELECTRONIC TECHNOLOGIES, LLC AND SHOULD NOT BE USED WITHOUT WRITTEN PERMISSION		CURRENT REV DESC: REMASTERED USING 3D MODELS		molex	
DIMENSION UNITS	SCALE	EC NO: 686855			
mm	4:1	DRWN: AKUMAR19 2021/08/12		PRODUCT CUSTOMER DRAWING	
GENERAL TOLERANCES (UNLESS SPECIFIED)		CHK'D: KLANG 2022/01/17		DOCUMENT NUMBER	
ANGULAR TOL ± 0.5°		APPR: KLANG 2022/01/17		SDA-95009-F	
4 PLACES ±	INITIAL REVISION:		DOC TYPE		DOC PART
3 PLACES ±	DRWN: RFC_PLMIMP 2018/11/02		PSD		001
2 PLACES ± 0.25	APPR: KNOLLER 2004/11/15		REVISION		L2
1 PLACE ± 0.35	DRAFT WHERE APPLICABLE MUST REMAIN WITHIN DIMENSIONS		MATERIAL NUMBER		CUSTOMER
0 PLACES ±	THIRD ANGLE PROJECTION	DRAWING	SERIES	SEE CHART	GENERAL MARKET
		A3-SIZE	95009	SHEET NUMBER	
				2 OF 2	