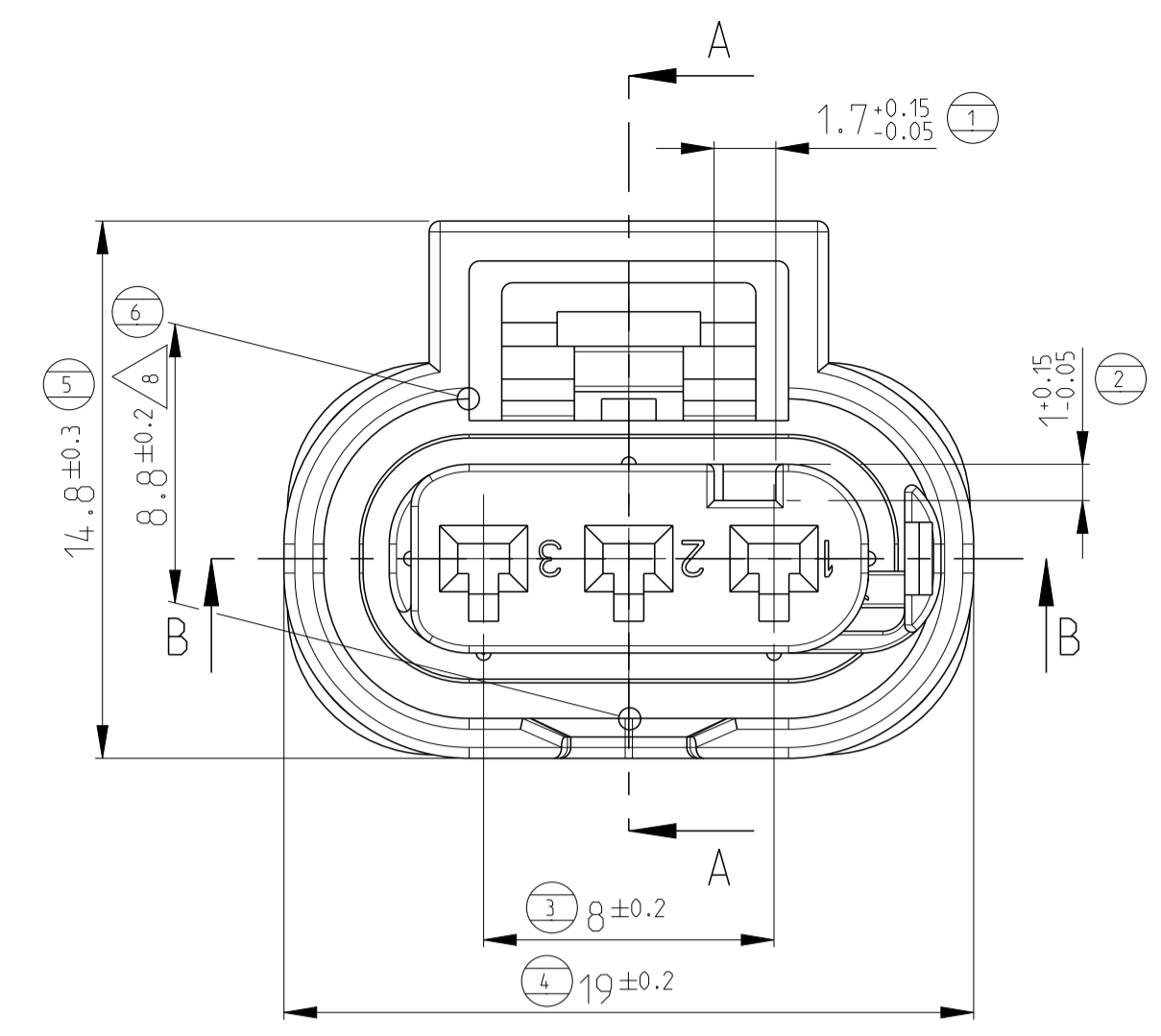
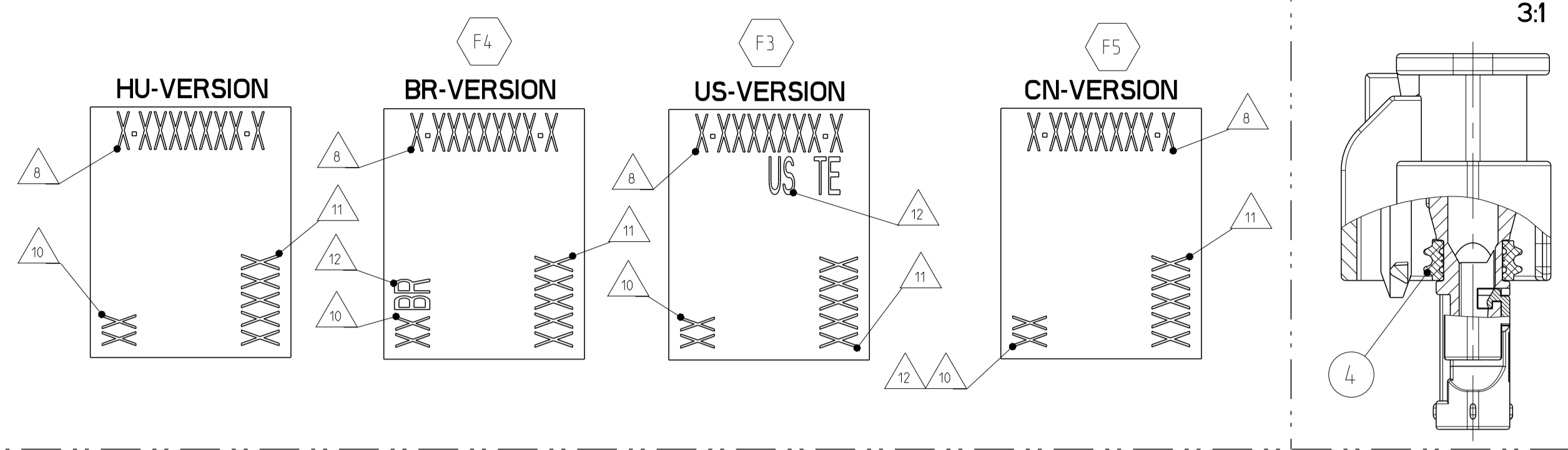
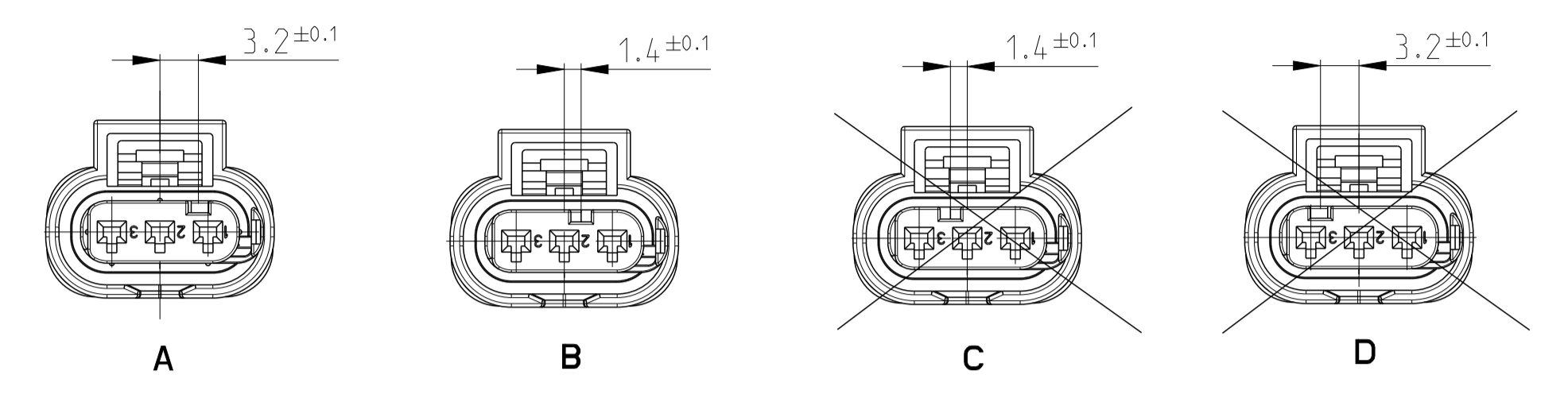


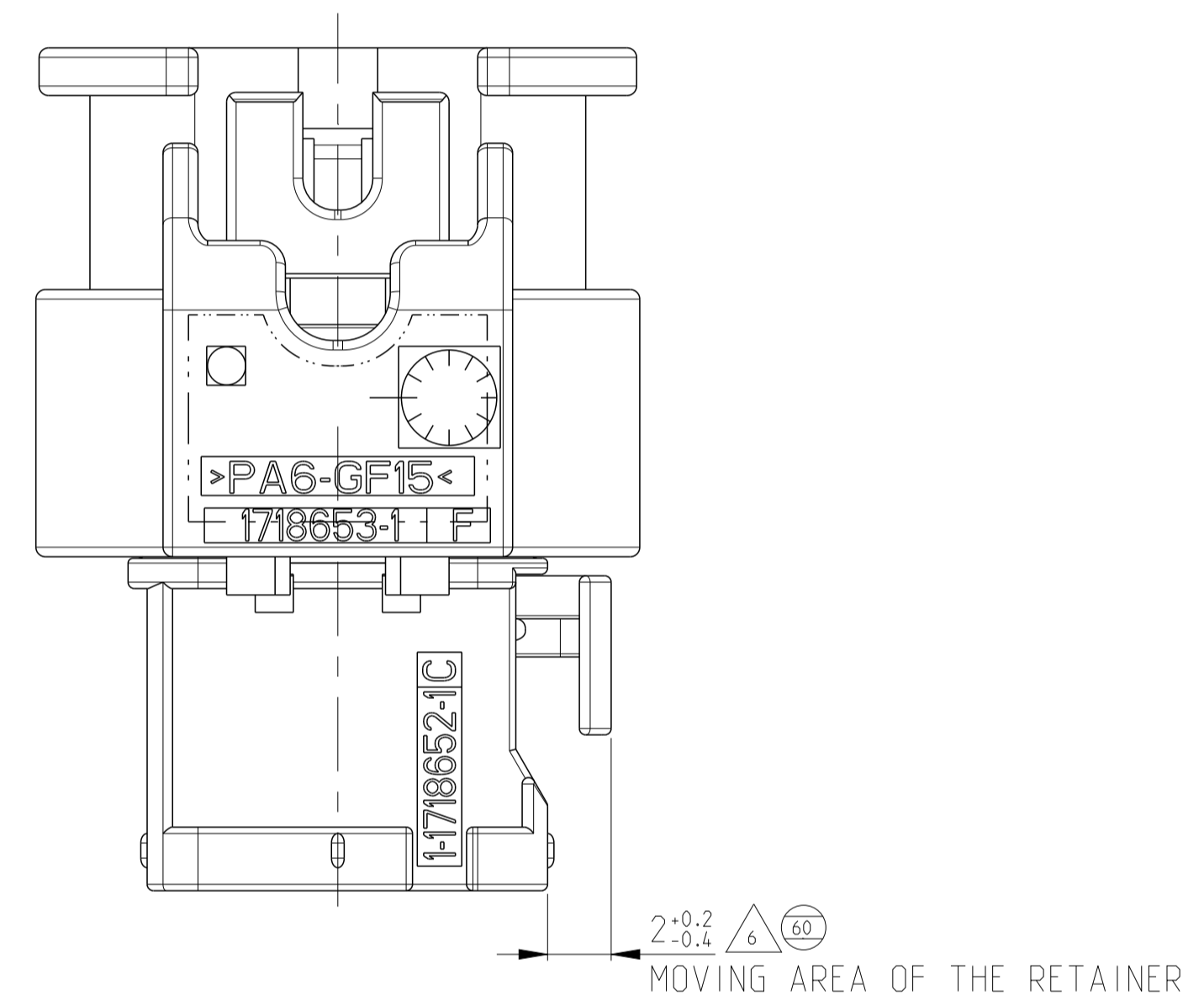
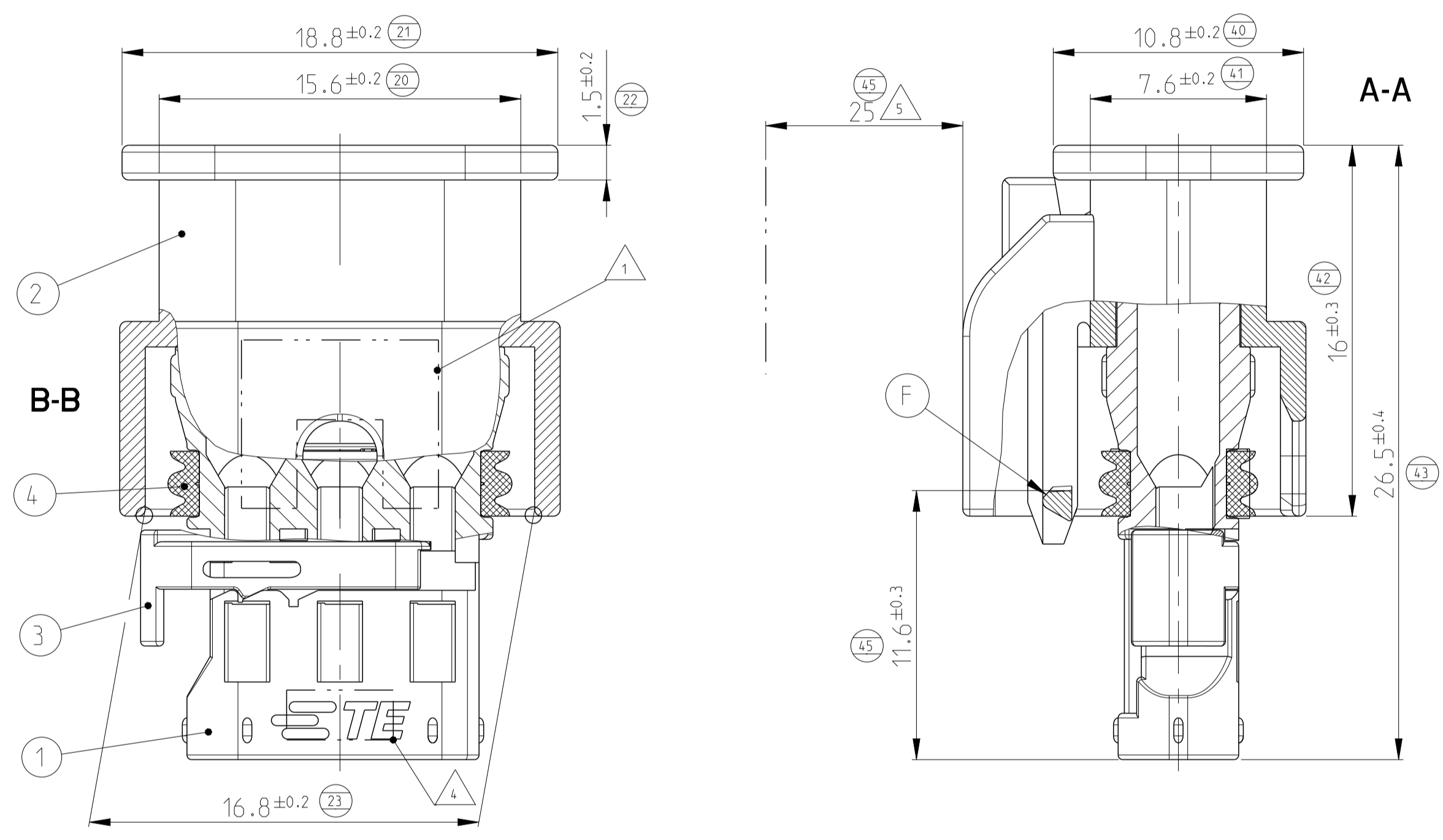
PRINT: 5:1



CODINGS M 2:1



REVISIONS				
P.	LTN	DESCRIPTION	DATE	APVD
F2		LASER PRINT UPDATED WITH US VERSION	15SEP2017	SZN RT
F3		LASER PRINT CORRECTED	08DEC2017	SZN LSZ
F4		LASER-PRINT UPDATED WITH BR VERSION	07NOV2018	SZN LSZ
F5		LASER-PRINT UPDATED WITH CN VERSION	14JAN2020	SZN LSZ

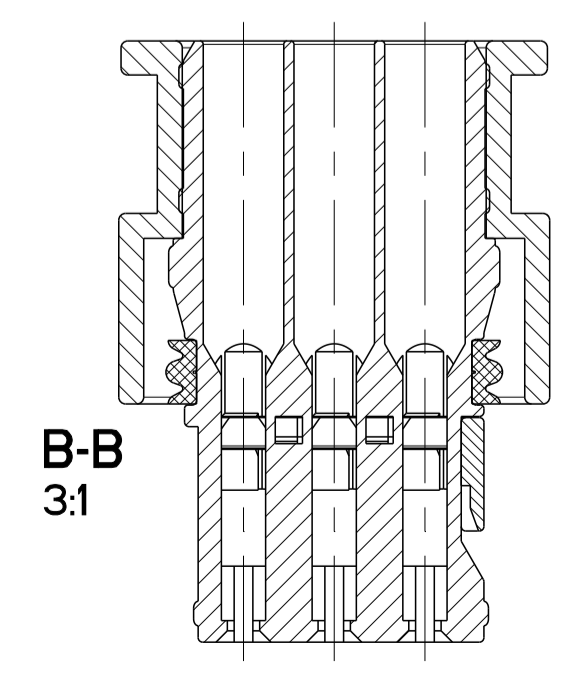


NOTES:

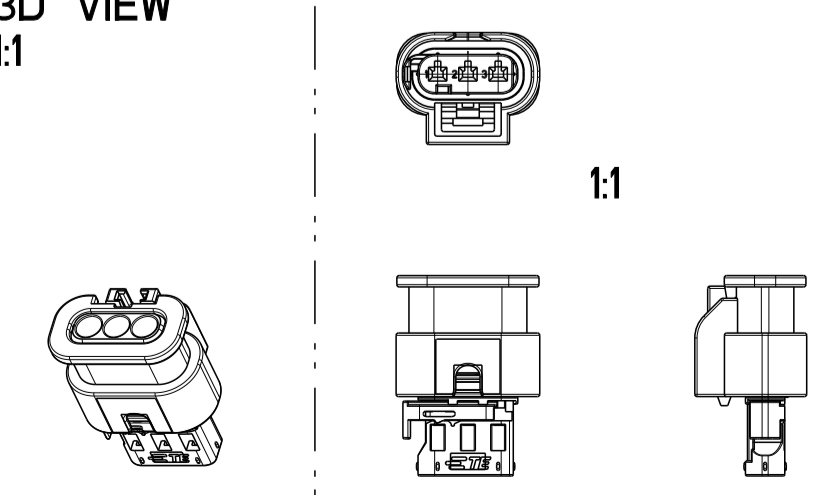
- 1 AREA FOR PRINT
- 2 USABLE CONTACTS MCON 1.2 SEE TE-NO. 1452674, SINGLE WIRE SYSTEM
- 3 MAX. WIRE SIZE RANGE 1.0 mm<sup>2</sup> FLR PERMITTED FOR CAVITY-Ø 3.55MM QUANTITY SEE WIRE HARNESS DRAWING FOR PERMISSIBLE CURRENT CARRYING CAPACITY OF THE SINGLE CONTACT SEE PRODUCT SPECIFICATION NO.108-18782
- 4 SUPPLIER-MARK
- 5 SPACE OF ACTIVITY
- 6 SUPPLY CONDITION: RETAINER IN PRELOCKED POSITION
- 7 WARPAGE PERMITTED TO MAX. -0.5mm
- 8 TE ORDER-NO.
- 9 ACCORDING TO INTERFACE DRAWING SEE TE-NO. 114-18679-3
- 10 ASSEMBLY LINE SEGMENT IDENTIFICATION
- 11 DATE CODE (DDYY)
- 12 DIVERGENT MARKING FOR PARTS FROM DIFFERENT PLANTS (BR, CN, U.S...)
- 13 VER II: HIGH TEMPERATURE VERSION FOR APPLICATIONS UP TO 150°C CODING A AS SHOWN

TE-ORDER-NO.	COD	TITLE	REV	QTY	TITLE	MATERIAL	SURFACE/COLOUR	ITEM	VAR.
1-1670917-5	A	3pos.MCON 1.2 - LL Connector, Sealed	C	1	2pos. MCON 1.2 - Seal	MVQ	GREEN	4	II 13
				1	2pos. MCON 1.2 - Retainer	PA66-GF15	VIOLETT	3	
				1	2pos. MCON 1.2 - Protec. Cover	PA46	BLACK	2	
				1	2pos. MCON 1.2 - Recepticle Hsg.	PA66-GF30	BLACK	1	
2-1670917-1	B	3pos.MCON 1.2 - LL Connector, Sealed	E	1	2pos. MCON 1.2 - Seal	MVQ	NATURE	4	I
				1	2pos. MCON 1.2 - Retainer	PA66-GF15	VIOLETT	3	
				1	2pos. MCON 1.2 - Protec. Cover	PA6-GF15	BLACK	2	
				1	2pos. MCON 1.2 - Recepticle Hsg.	PA66-GF30	NATURE	1	
1-1670917-1	A	3pos.MCON 1.2 - LL Connector, Sealed	F	1	2pos. MCON 1.2 - Seal	MVQ	NATURE	4	I
				1	2pos. MCON 1.2 - Retainer	PA66-GF15	VIOLETT	3	
				1	2pos. MCON 1.2 - Protec. Cover	PA6-GF15	BLACK	2	
				1	2pos. MCON 1.2 - Recepticle Hsg.	PA66-GF30	BLACK	1	

RETAINER IN END POSITION



3D VIEW 1:1



THIS DRAWING IS A CONTROLLED DOCUMENT.		OWN: R. Bachmann 19DEC2006	TE Connectivity	
DIMENSIONS: mm		CHK: A. Schroevel		
TOLERANCES UNLESS OTHERWISE SPECIFIED:		APVD: J. Woller	NAME: 3pos. MCON 1.2 - LL Connector, Sealed	
MATERIAL: -		PRODUCT SPEC: 108-18969	SIZE: -	
FINISH: -		APPLICATION SPEC: 114-18861	CAGE CODE: A1100779	
WEIGHT: 3 g		CUSTOMER DRAWING	DRAWING NO: C=1670917	
SCALE: 5:1		SHEET: 1 OF 1		REV: F5