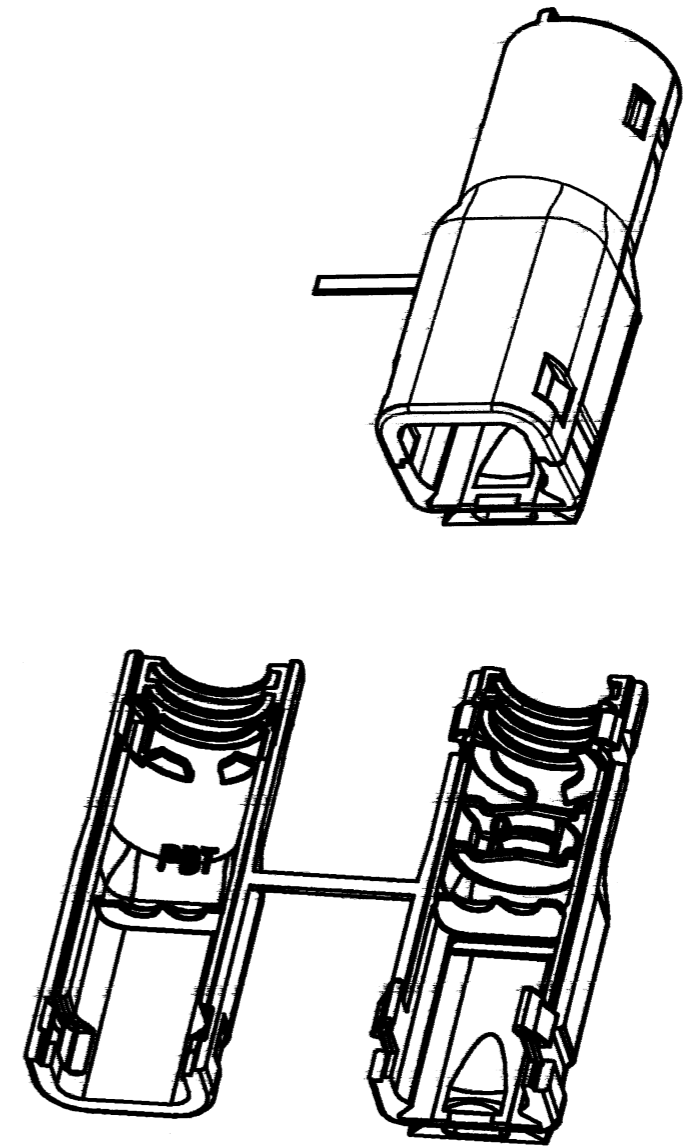
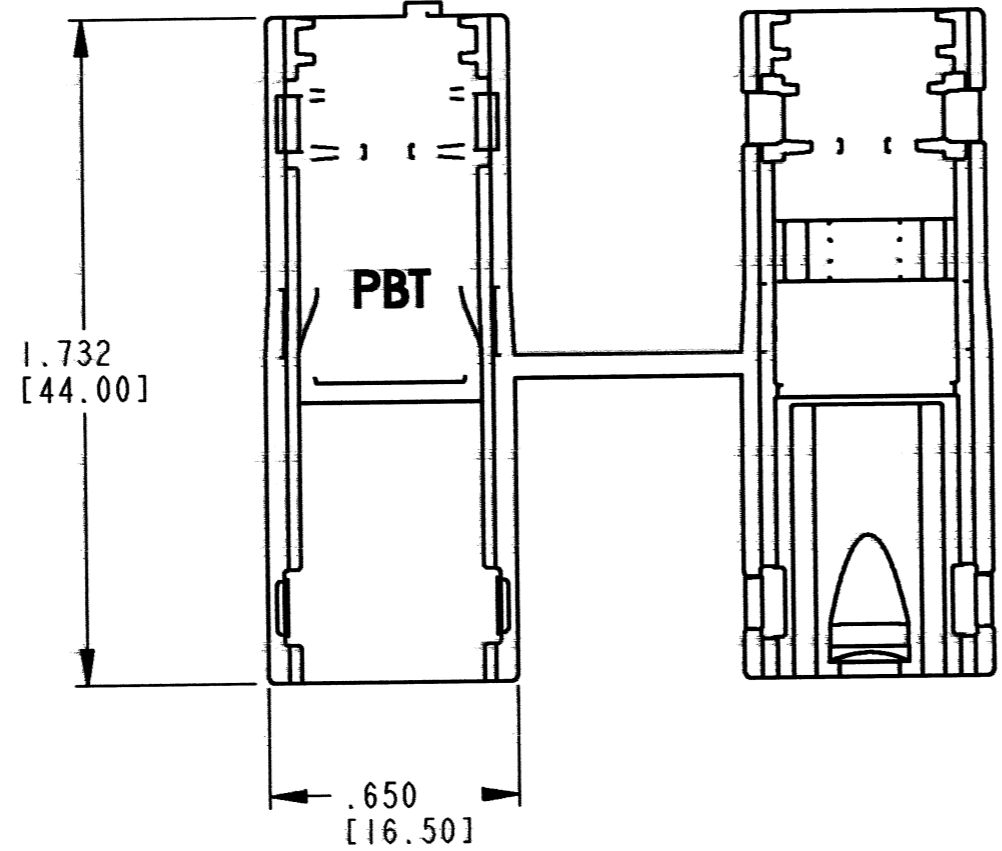
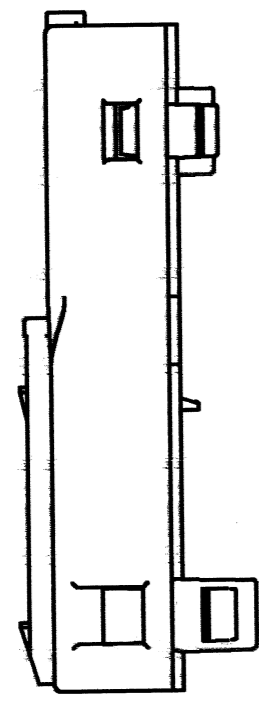
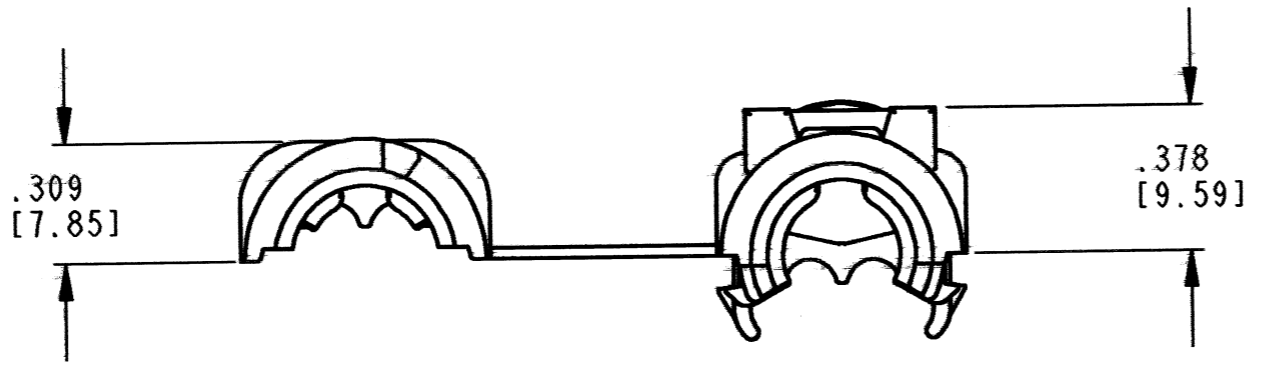


REV
A 1028-021-0205

REVISIONS			
SYM	DESCRIPTION	DATE	APPROVED
NC	NEW RELEASE PER E.O. P20243	7/21/09	R.D.R.
A	REVISED PER E.O. P20523	7-21-10	RDR



4. MATERIAL: PLASTIC; COLOR: BLACK
3. THIS PART ACCOMMODATES CORRUGATED TUBING SIZES 7.5 AND 8.5 mm.
2. THIS PART MATES WITH DTM04-2P-****. (**** = MODIFICATION WITHOUT ENDCAP) CONSULT FACTORY FOR MODIFICATION.
1. ALL DIMENSIONS ARE IN INCHES [MILLIMETERS] AND ARE ±.025[.63] UNLESS OTHERWISE SPECIFIED.

NOTES:

SIGNATURE & DATE	
DR	R. MESSENGER 6/10/09
CHK	[Signature] 7/21/2010
PE	[Signature] 7/16/10
APPD	[Signature] 7-19-10
SCALE	NONE WT

STRAIGHT BACKSHELL
2 WAY RECEPTACLE

DTM SERIES

ENVELOPE

EP	MATL. CODE
3850 INDUSTRIAL AVE. HEMET, CA 92545	
B	1028-021-0205
DWG SIZE	CODE 11139 SHEET OF